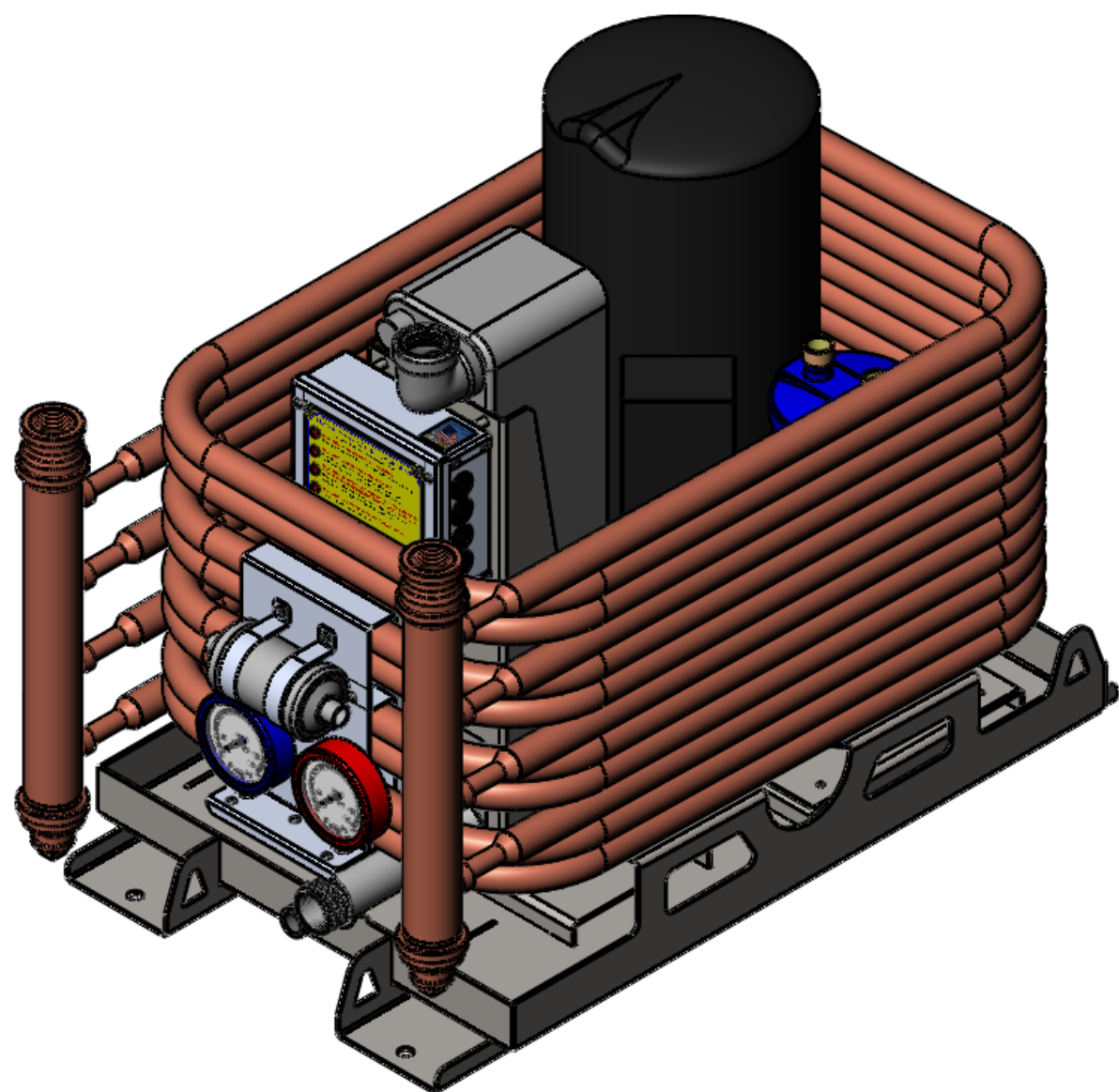


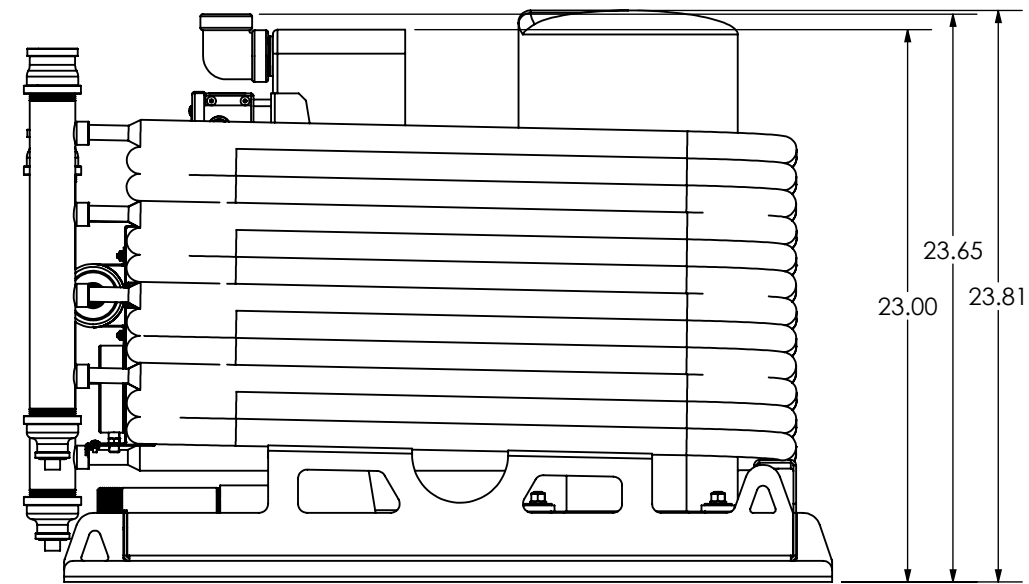
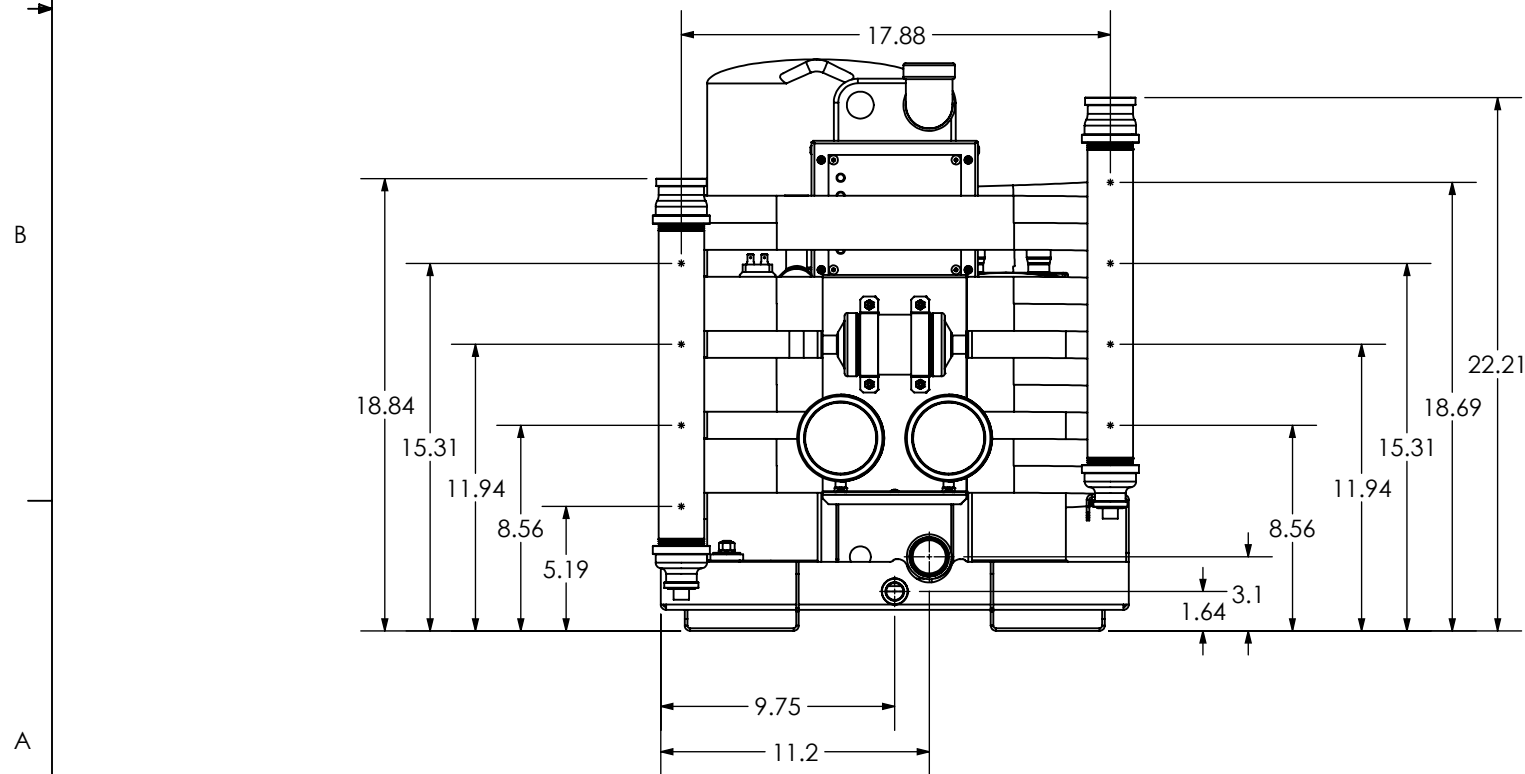
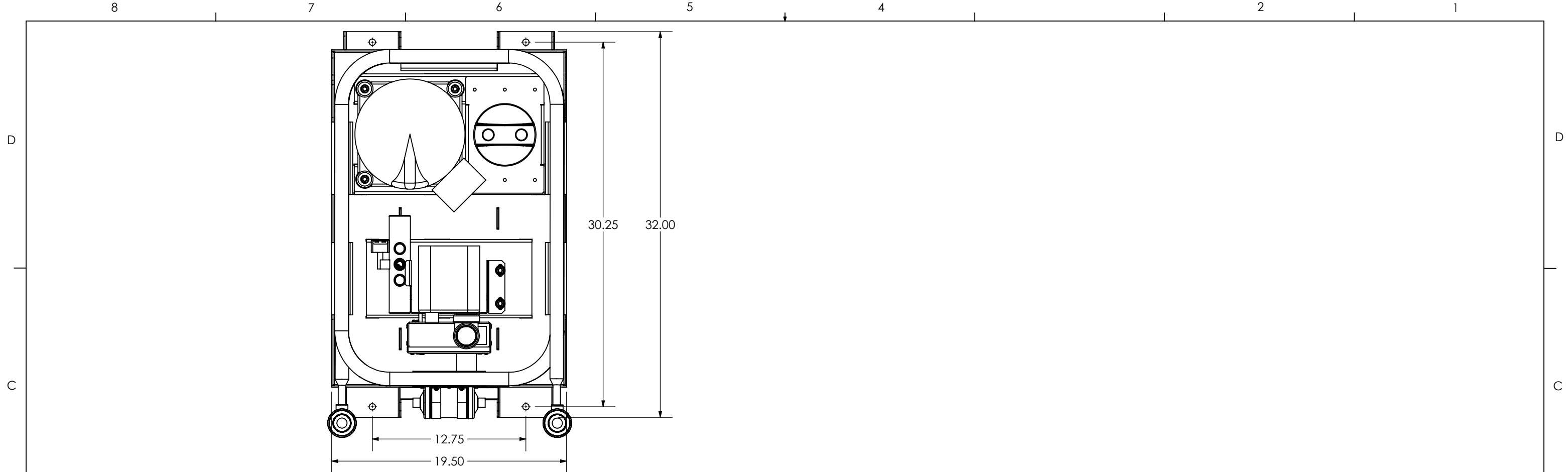
FLAGSHIP MARINE, INC.				
REV.	ZONE	DESCRIPTION	DATE	ENG APPROVAL
01	-	INITIAL CHECK-IN	7/20/2011	-



30	ZR108KC-TF-5950	COMPRESSOR, 3PH, 60 Hz, 230V	1
29	V10-414080-170	REVERSING VALVE LESS COIL, V10-414080-170, RANCO	1
28	LLD165S	FILTER DRIER, LIQUID LINE, TYPE LLD165S, SUPCO	1
27	FM60206	EVAPORATOR, CHILLED WATER, FM96CW & FM120CW	1
26	8NWLOS	8-32 LOCK WASHER SS	4
25	8CNMES	8-32 MACHINE SCREW NUT SS	4
24	80279-002	WELDMENT, MANIFOLD, 1 1/2" PIPE X 14.875"L, FM120CW	2
23	80265-001	WELDMENT, BASE, CHILLER, FM96CW & FM120CW	1
22	72396	#8-32 x 3/8" PHMS 18-8 SS	10
21	70666-001	FABRICATION, STRAP, FILTER DRIER, CHILLER, FM96CW & FM120CW	2
20	70664-001	FABRICATION, PANEL, LIQUID GAUGE & FILTER DRIER, CHILLER, FM96CW & FM120CW	1
19	70656-001	FABRICATION, BRACKET, LIQUID GAUGE & FILTER DRYER, CHILLER, FM60CW	1
18	70654-001	FABRICATION, BRACKET, EVAPORATOR, CHILLER, FM60CW	1
17	60071-001	STANDOFF, .385 ID X 1.406 OD X 1.00 THK, 70 DURO EPDM BLACK	4
16	60070-001	WASHER, .385 ID X 1.406 OD X .25 THK, 60 DURO EPDM BLACK	4
15	60053-001	SUCTION ACCUMULATOR, CHILLED WATER, FM96CW & FM120CW	1
14	60045-002	PRESSURE GAUGE, LOW SIDE, BLUE, YELLOW JACKET 49002	1
13	60045-001	PRESSURE GAUGE, HIGH SIDE, RED, YELLOW JACKET49001	1
12	50008-001	FABRICATION, TUBING, CHILLER, FM120CW	4
11	4830K248	1 1/4" NPT NIPPLE, 6"L, 304 SS	1
10	4464K66	1 1/4" NPT COUPLING, 304 SS	1
9	4464K17	1 1/4" NPT 90 DEG ELBOW, 304 SS	1
8	4429K746	REDUCING COUPLING, 1 1/4" NPT - 3/4" NPT, CAST BRASS	2
7	4429K745	REDUCING COUPLING, 1 1/2" NPT - 1 1/4" NPT, CAST BRASS	2
6	4429K315	PLUG, 3/4" NPT, CAST BRASS	2
5	37NWLOS	3/8 LOCK WASHER SS	8
4	37N125WFES	3/8 X 1-1/4 FENDER WASHER SS	4
3	37N125WFES	3/8 X 1-1/4 FENDER WASHER SS	4
2	37CNFHS	3/8 HEX FINISH NUT SS	8
1	20014-001	ASSEMBLY, ENCLOSURE, LOW VOLTAGE, CHILLERS	1
ITEM NO.	PART NUMBER	DESCRIPTION	20065-001/QTY.

FLAGSHIP MARINE, INC. BILL OF MATERIALS				
<p>FLAGSHIP MARINE, INC. 2427 SE DIXIE HIGHWAY STUART FLORIDA 34996 USA (772) 283-1609 (800) 316-6426 FAX (772) 283-4611</p> <p>PROPRIETARY AND CONFIDENTIAL</p> <p>THIS DOCUMENT CONTAINS INFORMATION PROPRIETARY TO FLAGSHIP MARINE, INC. NO PART MAY BE REPRODUCED, USED IN ANY FORM, OR STORED ELECTRONICALLY WITHOUT THE WRITTEN PERMISSION OF FLAGSHIP MARINE, INC.</p>	UNLESS OTHERWISE SPECIFIED:	NAME	DATE	TITLE: ASSEMBLY, CHILLER, FM120CW, 32L X 19.50W X 24H PART NO. 20065-001
	DIMENSIONS ARE IN INCHES TOLERANCES: FRACTIONS ± 1/32 ANG: MACH ± 0°30' BEND ± 2° DECIMALS .XX ± .01 .XXX ± .005 HOLE Ø .XX ± .005	DRAWN	SWC	
INTERPRET GEOMETRIC TOLERANCING PER: ASME Y14.5M	PERP STRAIGHTNESS	±	.003/IN	SIZE DWG. NO. B FM20066 REV 01 OLD PART NO. - SCALE: 1:6 WGT: 559.89 LBS SHEET 1 OF 2
MATERIAL	FLATNESS	±	.005/IN	
FINISH	THREADS:	EXTERNAL - CLASS 2A INTERNAL - CLASS 2B	U.O.S.	
NEXT ASSY	USED ON			
APPLICATION	DO NOT SCALE DRAWING			

2. PREFERRED LIMITS AND FITS PER ANSI B4.1 (INCHES).
 1. DIMENSIONING & TOLERANCING PER ASME Y14.5M.
 NOTES:



Flagship Marine
 Commercial Quality Factory Direct Prices
 2427 SE DIXIE HIGHWAY | STUART | FLORIDA | 34996 | USA
 (772) 283-1609 | (800) 316-6426 FAX (772) 283-4611

DRAWN -	SIZE B	DRAWING NO. FM20066	REV 01
CHECKED -	WGT: 559.89 LBS	SCALE: 1:8	SHEET 2 OF 2
ENG APPR. -			