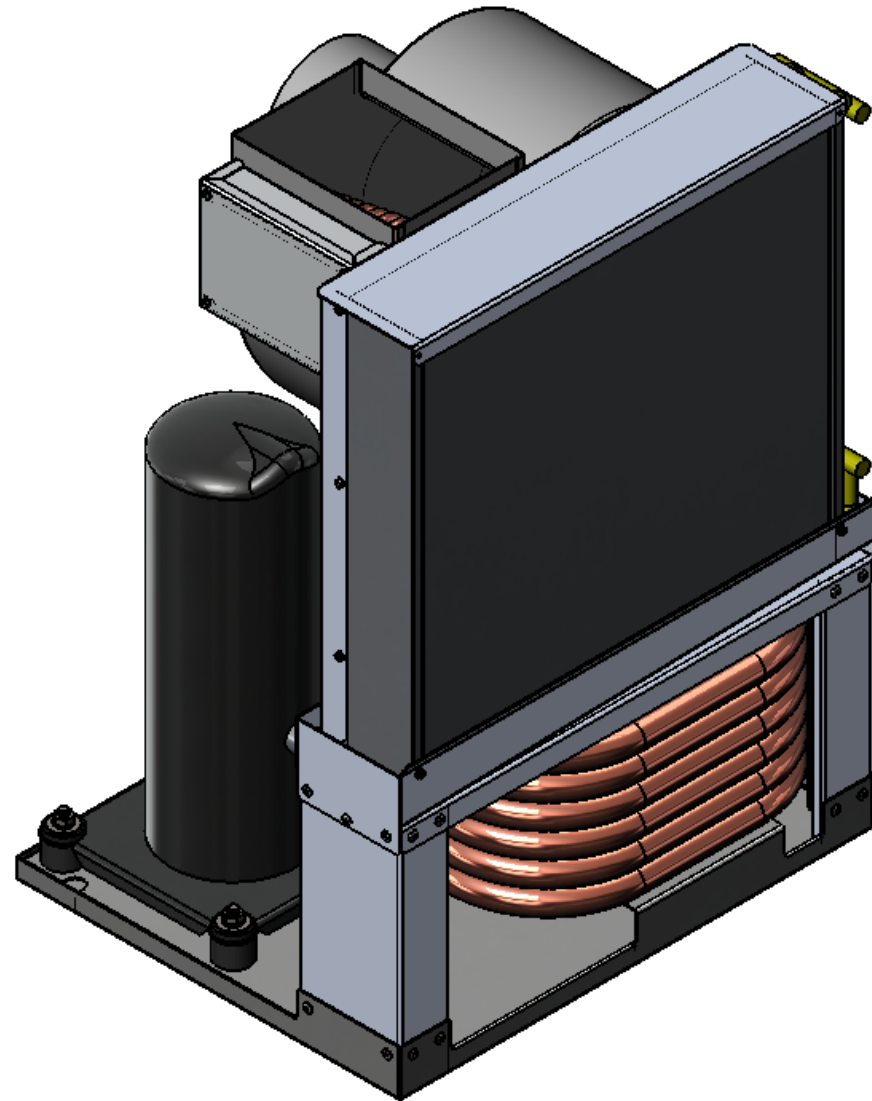


PART NUMBER	DESCRIPTION
20046-001	ASSEMBLY, AIR CONDITIONER FM36S-V, 230V TOP
20046-011	ASSEMBLY, AIR CONDITIONER FM36S-V, 230V TOP, WITH OPTIONAL HEAT

FLAGSHIP MARINE, INC.				
REV.	ZONE	DESCRIPTION	DATE	ENG APPROVAL
01		INITIAL CHECK-IN	8/11/2014	
02		REDESIGNED 80911-001	10/24/2014	



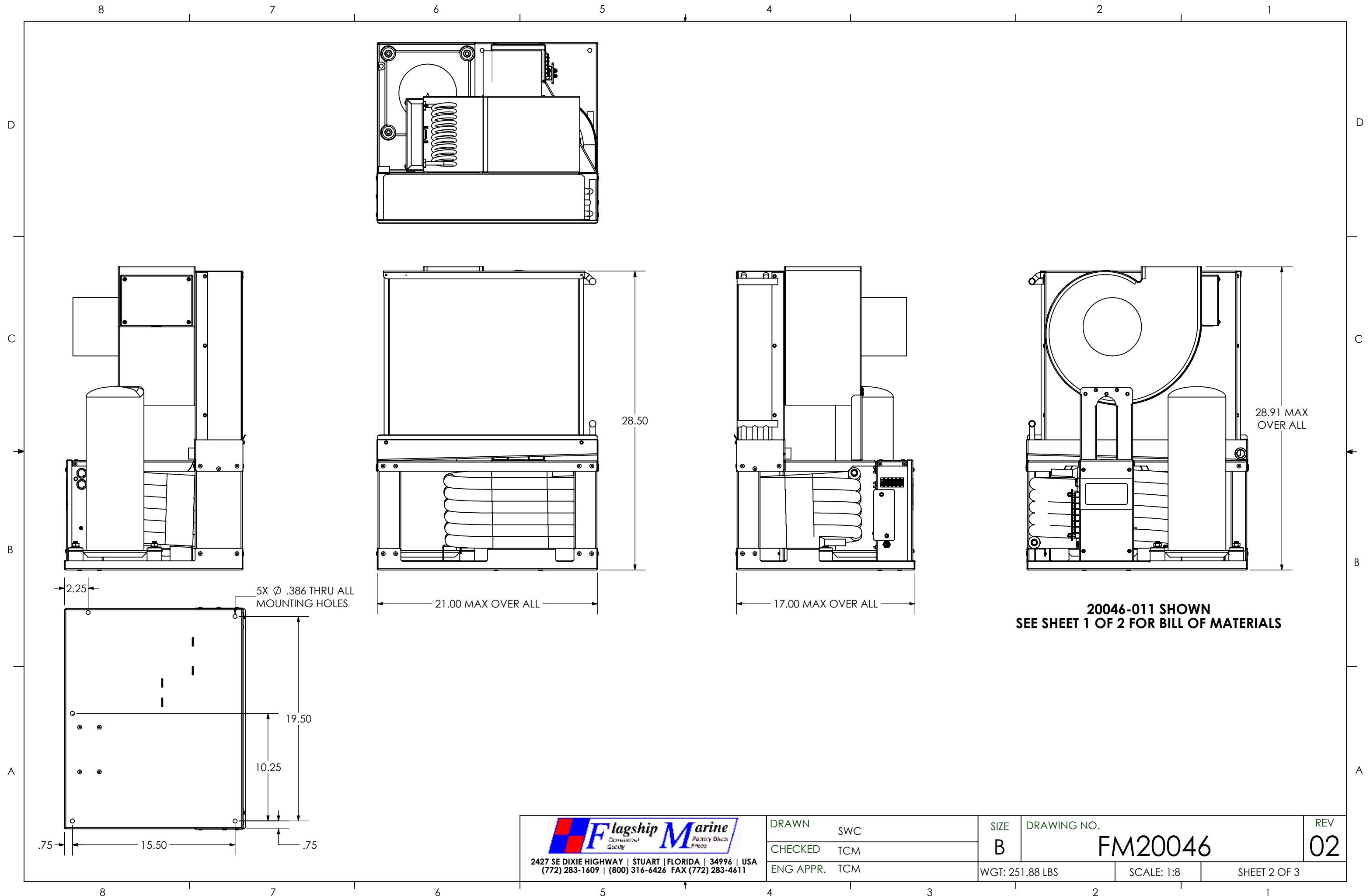
20046-011 SHOWN
SEE SHEET 2 OF 2 FOR DIMENSIONS

26	MSHXNUT 0.375-16-D-N	NUT, #8-32 MACHINE SCREW NUT 18-8 SS	4	4
25	80911-001	WELDMENT, DRY DRAIN PAN, EVAPORATOR, AIR CONDITIONER, FM36R-V	1	1
24	80047-002	WELDMENT, BASE, AIR CONDITIONER, FM36R-V	1	1
23	70152-002	FABRICATION, BRACKET, BLOWER, AIR CONDITIONER, FM36S-V	1	1
22	70149-002	FABRICATION, PANEL, CORNER, AIR CONDITIONER, FM36R-V	1	1
21	70149-001	FABRICATION, PANEL, CORNER, AIR CONDITIONER, FM36R-V	1	1
20	70148-002	FABRICATION, BIFECTOR, AIR CONDITIONER, FM36S-V	1	1
19	70139-001	FABRICATION, LID, ENCLOSURE, HEATER COIL, AIR CONDITIONER, FM24R - FM60R	-	1
18	70138-001	FABRICATION, ENCLOSURE, HEATER COIL, AIR CONDITIONER, FM24R - FM60R	-	1
17	70126-004	FABRICATION, SHROUD, EVAPORATOR, AIR CONDITIONER, FM36S-V, TOP	1	1
16	60534-001	WASHER, 3/8 X 1 1/4 FENDER WASHER, 18-8 SS	4	4
15	60533-001	RIVET, 3/16" DIA. .062-.125" GRIP RANGE, SSB6-2S	16	16
14	60532-001	RIVET, 3/16" DIA. .062-.125" GRIP RANGE, AB62A ALUM	18	18
13	60527-001	SELF TAP, #8 X 1/2 HWH SELF DRILL 18-8 SS	13	17
12	60517-001	SCREW, #8-32 X 3/8" PAN HEAD MACHINE SCREW, #2 DRIVE PHILLIPS, 18-8 SS	-	4
11	60307-001	COMPRESSOR, SCROLL, 1PH, 60 Hz, 230V, 32600 BTU	1	1
10	60216-001	EVAPORATOR, 36000 MBTU, 17.50HX18.13W, 3 ROW	1	1
9	60131-001	GROMMET, 11/16" PUSH-IN LOCKING, NYLON	-	1
8	60071-001	STANDOFF, .385 ID X 1.406 OD X 1.00 THK, 70 DURO EPDM BLACK	4	4
7	60070-001	WASHER, .385 ID X 1.406 OD X .25 THK, 60 DURO EPDM BLACK	4	4
6	60062-001	THERMAL LIMIT SWITCH, 130 DEGREE	-	1
5	60035-001	HEATER ELEMENT, COIL, 74"L, 8MM, 4000W, 230VAC, DBL END THRD BULKHEAD	-	1
4	60012-001	BLOWER, PSC, FORWARD CURVE, DIRECT DRIVE, WHEEL DIA 8 1/4", 115/230V, 1202 CFM	1	1
3	50013-001	FABRICATION, TUBING, AIR CONDITIONER, FM36R-V	1	1
2	lock washer spring regular_ai		4	4
1	20015-001	ASSEMBLY, CONTROL BOX, SELF CONTAINED, A/C, UNIVERSAL	1	1
ITEM NO.	PART NUMBER	DESCRIPTION	20046-001/QTY.	20046-011/QTY.

FLAGSHIP MARINE, INC. BILL OF MATERIALS

<p>FLAGSHIP MARINE, INC. 2427 SE DIXIE HIGHWAY STUART FLORIDA 34996 USA (772) 283-1609 (800) 316-6426 FAX (772) 283-4611</p>	<p>UNLESS OTHERWISE SPECIFIED: DIMENSIONS ARE IN INCHES TOLERANCES: FRACTIONS ± 1/32 ANG: MACH ± 0°30' BEND ± 2° DECIMALS .XX ± .01 .XXX ± .005 HOLE Ø .XX ± .005</p>	<p>DRAWN</p>	<p>NAME</p>	<p>DATE</p>	<p>TITLE: ASSEMBLY, AIR CONDITIONER FM36R-V, 230V TOP, WITH OPTIONAL HEAT</p>
		<p>CHECKED</p>	<p>TCM</p>	<p>3/25/11</p>	
<p>PROPRIETARY AND CONFIDENTIAL</p> <p>THIS DOCUMENT CONTAINS INFORMATION PROPRIETARY TO FLAGSHIP MARINE, INC. NO PART MAY BE REPRODUCED, USED IN ANY FORM, OR STORED ELECTRONICALLY WITHOUT THE WRITTEN PERMISSION OF FLAGSHIP MARINE, INC.</p>	<p>INTERPRET GEOMETRIC TOLERANCING PER: ASME Y14.5M</p>	<p>ENG APPR.</p>	<p>TCM</p>	<p>3/25/11</p>	<p>PART NO. 20046-XX1</p>
		<p>MFG APPR.</p>	<p>TCM</p>	<p>3/25/11</p>	
<p>PERP STRAIGHTNESS</p>	<p>± .003/IN</p>	<p>Q.A.</p>	<p>EAS</p>	<p>-</p>	<p>SIZE DWG. NO. REV B FM20046 02</p>
<p>FLATNESS</p>	<p>± .005/IN</p>	<p>FINISH</p>	<p>EXTERNAL - CLASS 2A INTERNAL - CLASS 2B MACHINED SURFACES: ✓ U.O.S</p>	<p>OLD PART NO. -</p>	
<p>APPLICATION</p>	<p>DO NOT SCALE DRAWING</p>	<p>SCALE: 1:6</p>	<p>WGT: 251.88 LBS</p>	<p>SHEET 1 OF 3</p>	

- NOTES:
- NO SHARP EDGES PERMITTED.
 - PREFERRED LIMITS AND FITS PER ANSI B4.1 (INCHES).
 - DIMENSIONING & TOLERANCING PER ASME Y14.5M.



Flagship Marine
COMMERCIAL QUALITY POWER DYNAMICS ENGINEERING

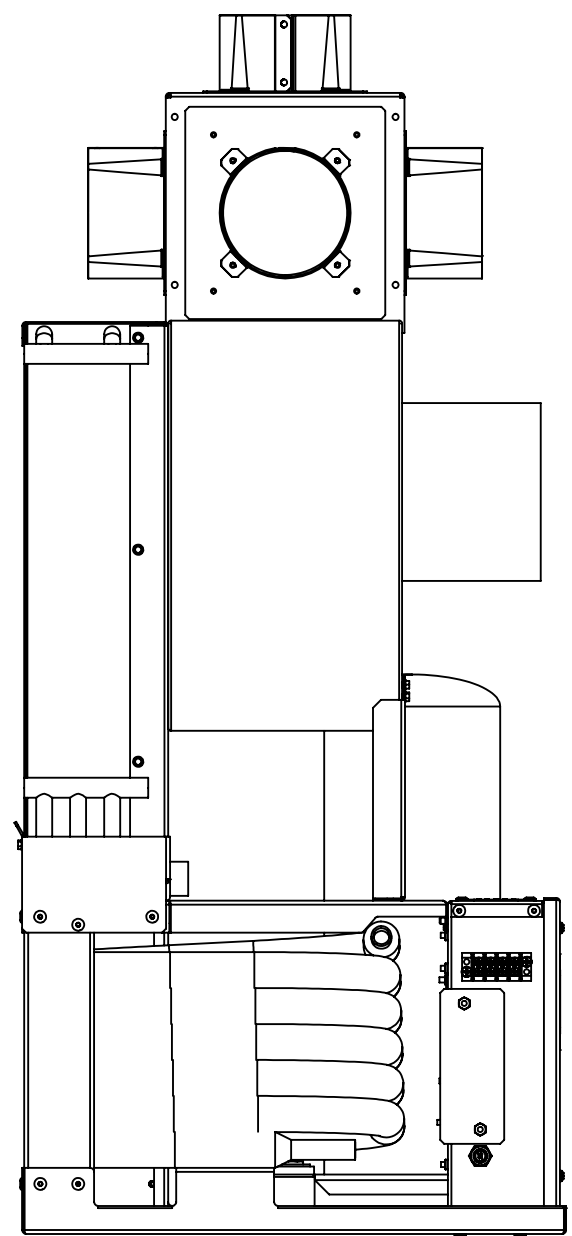
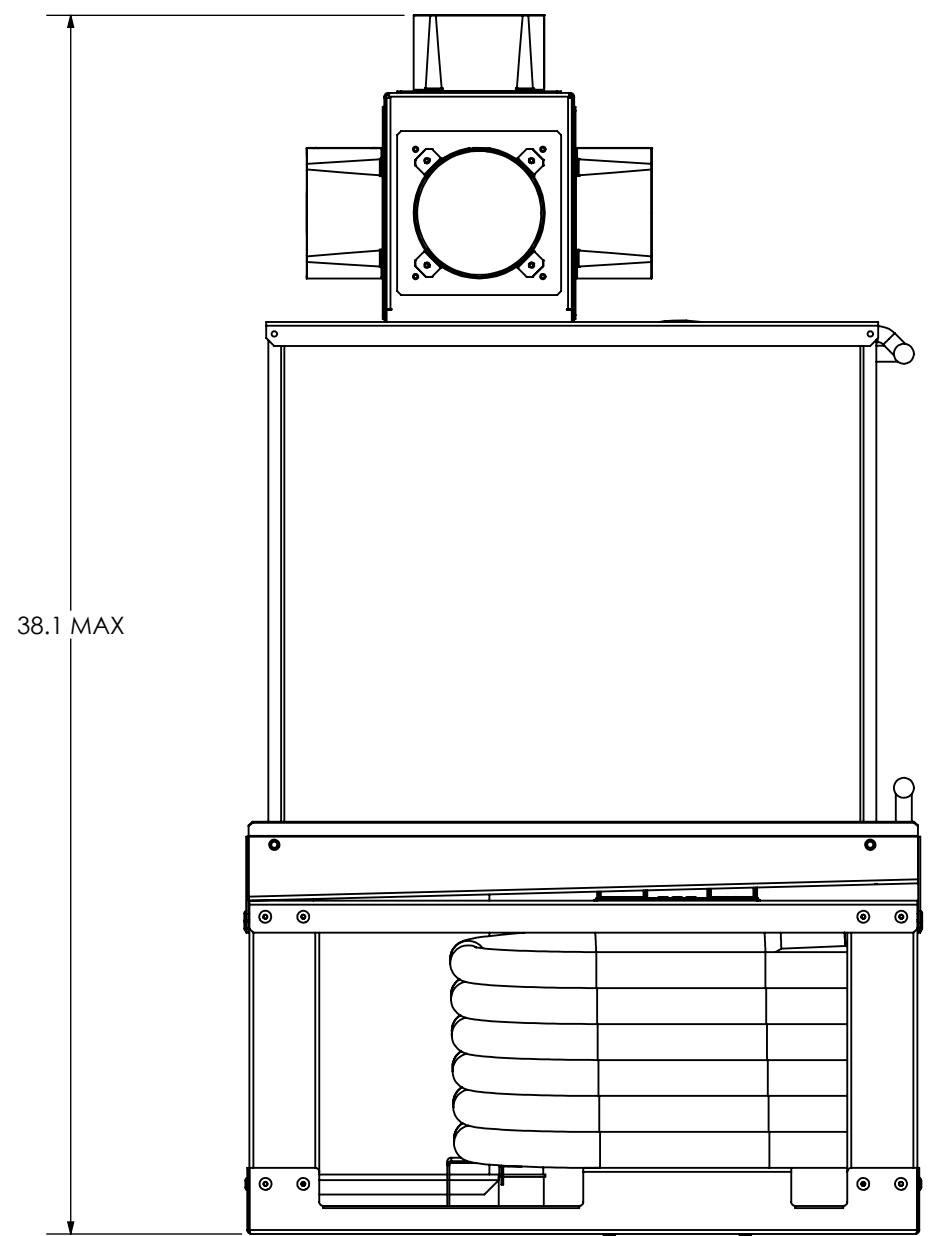
2427 SE DIXIE HIGHWAY | STUART | FLORIDA | 34996 | USA
 (772) 283-1609 | (800) 316-6426 FAX (772) 283-4611

DRAWN	SWC	SIZE	DRAWING NO.	REV
CHECKED	TCM	B	FM20046	02
ENG APPR.	TCM	WGT: 251.88 LBS	SCALE: 1:8	SHEET 2 OF 3

8 7 6 5 4 2 1

D
C
B
A

D
C
B
A



20046-011
SHOWN WITH OPTIONAL PLENUM & DISCHARGE RINGS
FOR DIMENTIONAL REFERENCE ONLY

 2427 SE DIXIE HIGHWAY STUART FLORIDA 34996 USA (772) 283-1609 (800) 316-6426 FAX (772) 283-4611	DRAWN SWC	SIZE B	DRAWING NO. FM20046	REV 02
	CHECKED TCM ENG APPR. TCM	WGT: 253.40 LBS	SCALE: 1:8	SHEET 3 OF 3

8 7 6 5 4 3 2 1