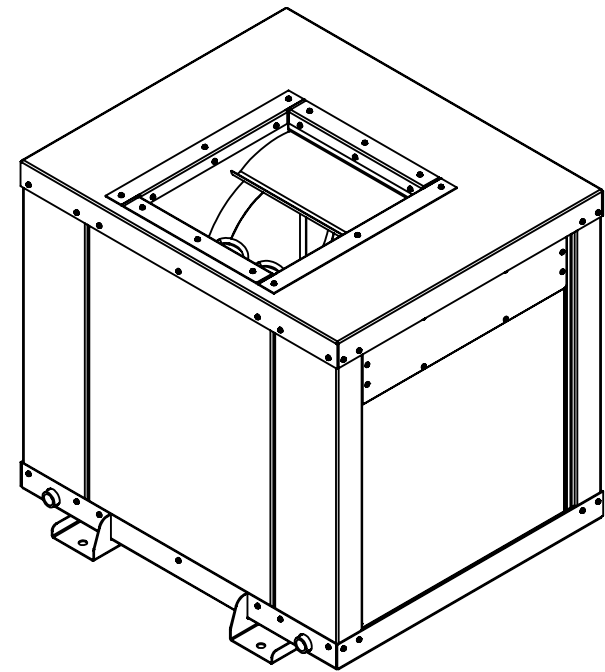
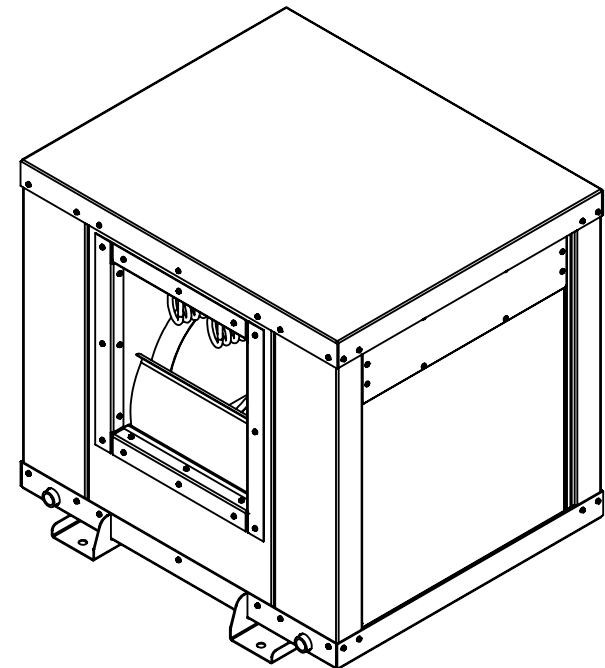


PART NUMBER	DESCRIPTION
20086-001	ASSEMBLY, CHILLED WATER, FAN COIL, FM60CWFC, 26.5L X 28W X 26H, 230V TOP
20086-002	ASSEMBLY, CHILLED WATER, FAN COIL, FM60CWFC, 26.5L X 28W X 26H, 230V SIDE
20086-011	ASSEMBLY, CHILLED WATER, FAN COIL, FM60CWFC, 26.5L X 28W X 26H, 230V TOP, WITH OPTIONAL HEAT
20086-012	ASSEMBLY, CHILLED WATER, FAN COIL, FM60CWFC, 26.5L X 28W X 26H, 230V SIDE, WITH OPTIONAL HEAT

FLAGSHIP MARINE, INC.				
REV.	ZONE	DESCRIPTION	DATE	ENG APPROVAL
01	-	INITIAL CHECK-IN	4/20/2011	-



20086-011 SHOWN
SEE SHEET 2 OF 2 FOR DIMENSIONS



20086-012 SHOWN
SEE SHEET 2 OF 2 FOR DIMENSIONS

ITEM NO.	PART NUMBER	DESCRIPTION	20086-001/QTY.	20086-002/QTY.	20086-011/QTY.	20086-012/QTY.
29	Regular LW 0.164		8	8	8	8
28	80056-001	WELDMENT, BASE, CHILLED WATER, FAN COIL, FM48/60/72CWFC	1	1	1	1
27	80055-001	WELDMENT, PANEL, ACCESS, AIR CONDITIONER, FMAC60S-H	-	1	1	1
26	80054-001	WELDMENT, LID, AIR CONDITIONER, FM48S/60S/72S-H	1	-	1	-
25	80053-001	WELDMENT, DRAIN PAN, EVAPORATOR, FM48S/60S/72S-H	2	2	2	2
24	72396	#8-32 x 3/8" PHMS 18-8 SS	8	8	12	12
23	70706	#8-32 HEX NUT, MACHINE SCREW 18-8 SS	8	8	8	8
22	70269-002	FABRICATION, CONTROL BOX, CHILLED WATER, FAN COIL, UNIVERSAL	1	1	1	1
21	70268-002	FABRICATION, COVER, CONTROL BOX, CHILLED WATER, FAN COIL, UNIVERSAL	1	1	1	1
20	70169-001	FABRICATION, LID, ENCLOSURE, HEATER COIL, AIR CONDITIONER, FM48S - FM180S	-	-	1	1
19	70168-001	FABRICATION, ENCLOSURE, HEATER COIL, AIR CONDITIONER, FM48S - FM180S	-	-	1	1
18	70081-002	FABRICATION, BRACKET, BLOWER, AIR CONDITIONER, FM48S/60S/72S/96S/120S/180S-H	-	2	-	2
18	70081-001	FABRICATION, BRACKET, BLOWER, AIR CONDITIONER, FM48S/60S/72S/96S/120S/180S-H	2	-	2	-
17	70079-002	FABRICATION, PANEL, CLOSE OUT, AIR CONDITIONER, CWFC, ELECTRICAL BOX OPTION	1	1	1	1
16	70079-001	FABRICATION, PANEL, CLOSE OUT, AIR CONDITIONER, FM48S/60S/72S/96S/120S/180S-H	1	1	1	1
15	70078-001	FABRICATION, PANEL, ACCESS, AIR CONDITIONER, FMAC60S-H	2	1	2	1
14	70073-002	FABRICATION, PANEL, CORNER, AIR CONDITIONER, FM60S/72S/120S/180S-H	1	1	1	1
13	70073-001	FABRICATION, PANEL, CORNER, AIR CONDITIONER, FM60S/72S/120S/180S-H	3	3	3	3
12	70071-001	FABRICATION, LID, AIR CONDITIONER, FM48S/60S/72S-H	-	1	-	1
11	70067-101	FABRICATION, BRACKET, BLOWER 1XJY2, AIR HANDLER	2	2	2	2
10	70067-001	FABRICATION, BRACKET, BLOWER 1XJY2, AIR HANDLER	2	2	2	2
9	60216-001	EVAPORATOR, 36000 MBTU, 17.50HX18.13W, 3 ROW	2	2	2	2
8	60131-001	GROMMET, 1 1/16" PUSH-IN LOCKING, NYLON	-	-	1	1
7	60130-001	GROMMET, 3/4" PUSH-IN LOCKING, NYLON	2	2	2	2
6	60062-001	THERMAL LIMIT SWITCH, 130 DEGREE	-	-	1	1
5	60060-001	THERMAL LIMIT SWITCH, 110 DEGREE	-	-	2	2
4	60035-001	HEATER ELEMENT, COIL, 74"L, 8MM, 4000W, 230VAC, DBL END THRD BULKHEAD	-	-	2	2
3	60014-001	BLOWER, PSC, FORWARD CURVE, DIRECT DRIVE, WHEEL DIA 13"	1	1	1	1
2	1131943	#8-18 X 1/2" HWH #3 PT SELF DRILLING SCREW, 410 SS	80	80	90	90
1	41424	RIVET 3/16" DIA .062-.125" GRIP RANGE, SSB62S STAINLESS	10	10	10	10

PRELIMINARY - UNRELEASED
CHANGES WILL NOT BE RECORDED
Wednesday, April 20, 2011

FLAGSHIP MARINE, INC. BILL OF MATERIALS

FLAGSHIP MARINE, INC.
2427 SE DIXIE HIGHWAY
STUART | FLORIDA | 34996 | USA
(772) 283-1609 | (800) 319-6426
FAX (772) 283-4611

PROPRIETARY AND CONFIDENTIAL
THIS DOCUMENT CONTAINS INFORMATION PROPRIETARY TO FLAGSHIP MARINE, INC. NO PART MAY BE REPRODUCED, USED IN ANY FORM, OR STORED ELECTRONICALLY WITHOUT THE WRITTEN PERMISSION OF FLAGSHIP MARINE, INC.

UNLESS OTHERWISE SPECIFIED:		NAME	DATE
DIMENSIONS ARE IN INCHES		DRAWN	SWC 5/7/2009
TOLERANCES:		CHECKED	TCM -
FRACTIONS ± 1/32		ENG APPR.	TCM -
ANG: MACH ± 0°30' BEND ± 2°		MFG APPR.	TCM -
DECIMALS .XX ± .01		Q.A.	EAS -
.XXX ± .005		PERP STRAIGHTNESS ± .003/IN	
HOLE Ø .XX ± .005		FLATNESS ± .005/IN	
INTERPRET GEOMETRIC TOLERANCING PER: ASME Y14.5M		THREADS:	
MATERIAL		EXTERNAL - CLASS 2A	
FINISH		INTERNAL - CLASS 2B	
NEXT ASSY		MACHINED SURFACES: ✓ U.O.S	
USED ON			
APPLICATION		DO NOT SCALE DRAWING	

TITLE: ASSEMBLY, CHILLED WATER, FAN COIL, FM60/72CWFC, 26.5L X 28W X 26H

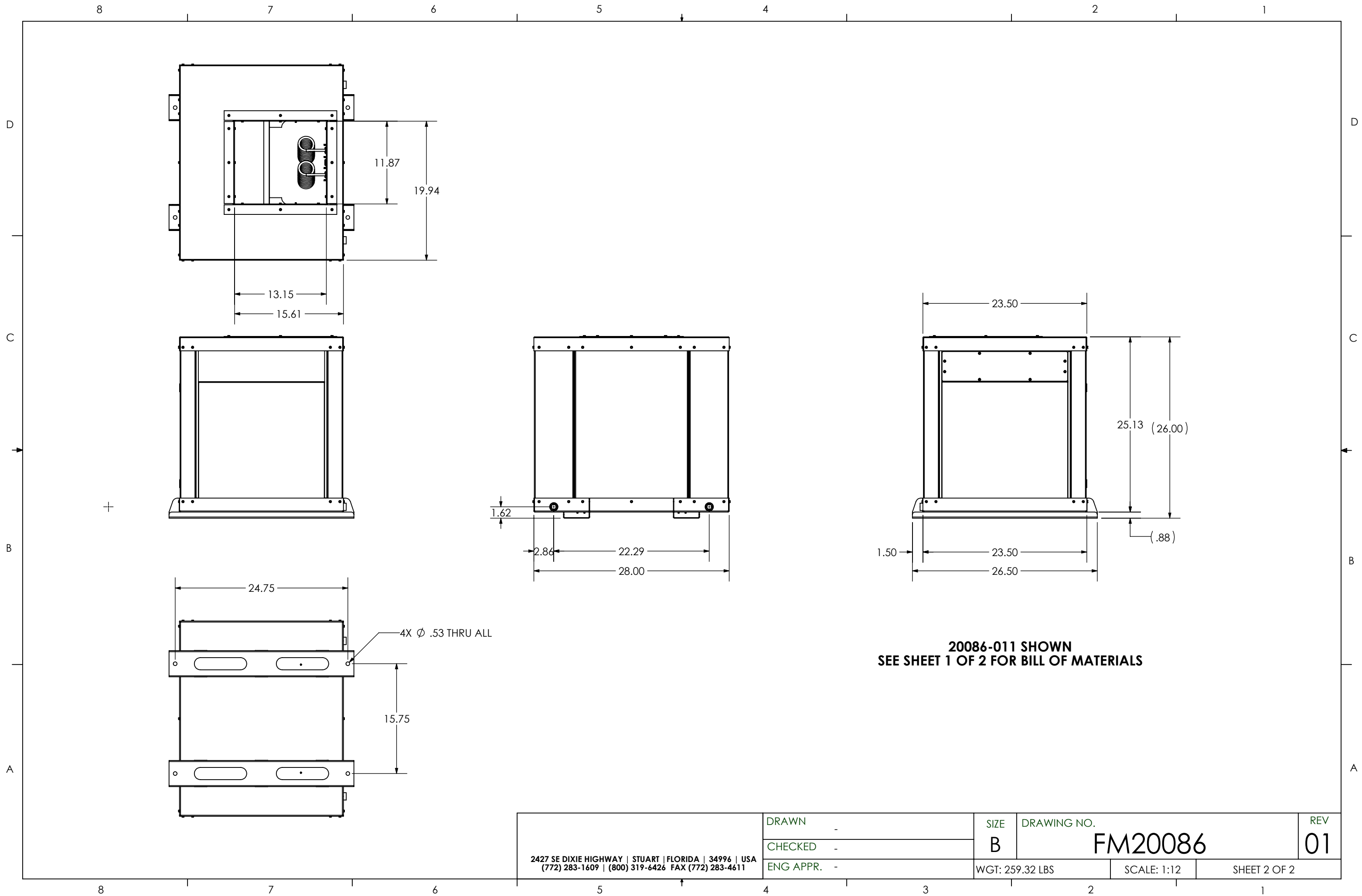
PART NO. 20086-0XX

SIZE DWG. NO. REV
B FM20086 **01**

OLD PART NO. -

SCALE: 1:12 | WGT: 259.30 LBS | SHEET 1 OF 2

- NOTES:
- NO SHARP EDGES PERMITTED.
 - PREFERRED LIMITS AND FITS PER ANSI B4.1 (INCHES).
 - DIMENSIONING & TOLERANCING PER ASME Y14.5M.



2427 SE DIXIE HIGHWAY STUART FLORIDA 34996 USA (772) 283-1609 (800) 319-6426 FAX (772) 283-4611	DRAWN -	SIZE	DRAWING NO.	REV
	CHECKED -	B	FM20086	01
	ENG APPR. -	WGT: 259.32 LBS	SCALE: 1:12	SHEET 2 OF 2