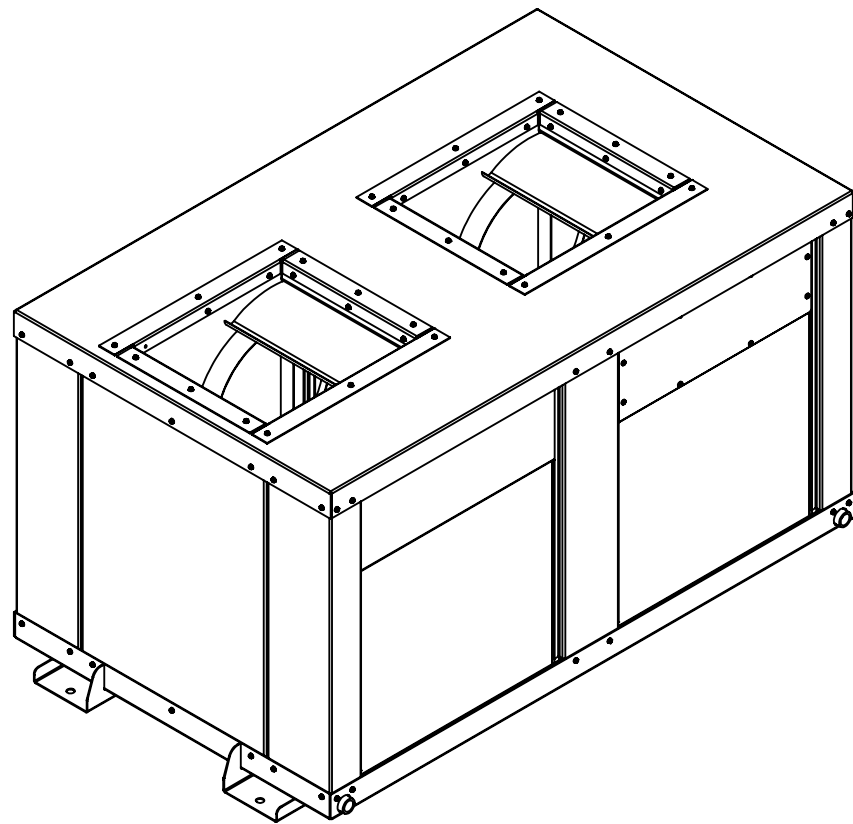


PART NUMBER	DESCRIPTION	FLAGSHIP MARINE, INC.				
		REV.	ZONE	DESCRIPTION	DATE	ENG APPROVAL
20087-001	ASSEMBLY, CHILLED WATER, FAN COIL, FM96CWFC, 49.25L X 28W X 26H, 230V TOP	01	-	INITIAL CHECK-IN	4/20/2011	-
20087-011	ASSEMBLY, CHILLED WATER, FAN COIL, FM96CWFC, 49.25L X 28W X 26H, 230V TOP, WITH OPTIONAL HEAT					



**20087-011 SHOWN  
SEE SHEET 2 OF 2 FOR DIMENSIONS**

32	Regular LW 0.164		8	8
31	80056-002	WELDMENT, BASE, CHILLED WATER, FAN COIL, FM96/120CWFC	1	1
30	80054-002	WELDMENT, LID, AIR CONDITIONER, FM96S/120S-H	1	1
29	80053-002	WELDMENT, DRAIN PAN, EVAPORATOR, FM96S/120S-H	2	2
28	1131943	#8-18 X 1/2" HWH #3 PT SELF DRILLING SCREW, 410 SS	138	138
27	72396	#8-32 x 3/8" PHMS 18-8 SS	16	16
26	70706	#8-32 HEX NUT, MACHINE SCREW 18-8 SS	8	8
25	70269-001	FABRICATION, CONTROL BOX, CHILLED WATER, FAN COIL, UNIVERSAL	1	1
24	70268-001	FABRICATION, COVER, CONTROL BOX, CHILLED WATER, FAN COIL, UNIVERSAL	1	1
23	70169-001	FABRICATION, LID, ENCLOSURE, HEATER COIL, AIR CONDITIONER, FM48S - FM180S	-	2
22	70168-001	FABRICATION, ENCLOSURE, HEATER COIL, AIR CONDITIONER, FM48S - FM180S	-	2
21	70158-002	FABRICATION, PANEL, CLOSE OUT, AIR CONDITIONER, FM48CWFC, ELECTRICAL BOX OPTION	1	1
20	70158-001	FABRICATION, PANEL, CLOSE OUT, AIR CONDITIONER, FM48S	1	1
19	70158-001	FABRICATION, PANEL, CLOSE OUT, AIR CONDITIONER, FM48S	2	2
18	70156-024	FABRICATION, PANEL, CORNER, AIR CONDITIONER, FM48CWFC & FM96CWFC	-	1
17	70156-014	FABRICATION, PANEL, CORNER, AIR CONDITIONER, FM48CWFC & FM96CWFC	-	1
16	70156-012	FABRICATION, PANEL, CORNER, AIR CONDITIONER, FM48S-H & FM96S-H	1	-
15	70156-004	FABRICATION, PANEL, CORNER, AIR CONDITIONER, FM48S-H & FM96S-H	1	1
14	70156-003	FABRICATION, PANEL, CORNER, AIR CONDITIONER, FM48S-H & FM96S-H	2	1
13	70081-001	FABRICATION, BRACKET, BLOWER, AIR CONDITIONER, FM48S/60S/72S/96S/120S/180S-H	4	4
12	70078-001	FABRICATION, PANEL, ACCESS, AIR CONDITIONER, FMAC60S-H	2	2
11	70077-001	FABRICATION, PANEL, BIFECTOR, AIR CONDITIONER, FM48S-H & FM96S-H	2	2
10	70067-101	FABRICATION, BRACKET, BLOWER 1XJY2, AIR HANDLER	4	4
9	70067-001	FABRICATION, BRACKET, BLOWER 1XJY2, AIR HANDLER	4	4
8	60215-001	EVAPORATOR, 24000 MBTU, 16HX17W, 3 ROW	4	4
7	60131-001	GROMMET, 11/16" PUSH-IN LOCKING, NYLON	2	4
6	60130-001	GROMMET, 3/4" PUSH-IN LOCKING, NYLON	2	2
5	60062-001	THERMAL LIMIT SWITCH, 130 DEGREE	-	2
4	60060-001	THERMAL LIMIT SWITCH, 110 DEGREE	-	4
3	60039-001	HEATER ELEMENT, COIL, 2" L, 8MM, 3000W, 240VAC, DBL END THRD BULKHEAD	-	4
2	60014-001	BLOWER, PSC, FORWARD CURVE, DIRECT DRIVE, WHEEL DIA 13"	2	2
1	41424	RIVET 3/16" DIA .062-.125" GRIP RANGE, SSB62S STAINLESS	21	21

ITEM NO.	PART NUMBER	DESCRIPTION	20087-001/QTY.	20087-011/QTY.
----------	-------------	-------------	----------------	----------------

**FLAGSHIP MARINE, INC. BILL OF MATERIALS**

**Flagship Marine**  
CORPORATION  
EST. 1982

**FLAGSHIP MARINE, INC.**  
2427 SE DIXIE HIGHWAY  
STUART | FLORIDA | 34996 | USA  
(772) 283-1609 | (800) 319-6426  
FAX (772) 283-4611

**PROPRIETARY AND CONFIDENTIAL**

THIS DOCUMENT CONTAINS INFORMATION PROPRIETARY TO FLAGSHIP MARINE, INC. NO PART MAY BE REPRODUCED, USED IN ANY FORM, OR STORED ELECTRONICALLY WITHOUT THE WRITTEN PERMISSION OF FLAGSHIP MARINE, INC.

UNLESS OTHERWISE SPECIFIED:		NAME	DATE
DIMENSIONS ARE IN INCHES		DRAWN	SWC 5/7/2009
TOLERANCES:		CHECKED	TCM -
FRACTIONS ± 1/32		ENG APPR.	TCM -
ANG: MACH ± 0°30' BEND ± 2°		MFG APPR.	TCM -
DECIMALS .XX ± .01		Q.A.	EAS -
.XXX ± .005			
HOLE Ø .XX ± .005			
INTERPRET GEOMETRIC TOLERANCING PER: ASME Y14.5M			
MATERIAL		PERP	∟ .003/IN
		STRAIGHTNESS	— .005/IN
		FLATNESS	∇ .005/IN
FINISH		THREADS:	
		EXTERNAL - CLASS 2A	
		INTERNAL - CLASS 2B	
MACHINED SURFACES: ✓ U.O.S			

TITLE: **ASSEMBLY, CHILLED WATER, FAN COIL, FM96CWFC, 49.25L X 28W X 26H**

PART NO. **20087-0XX**

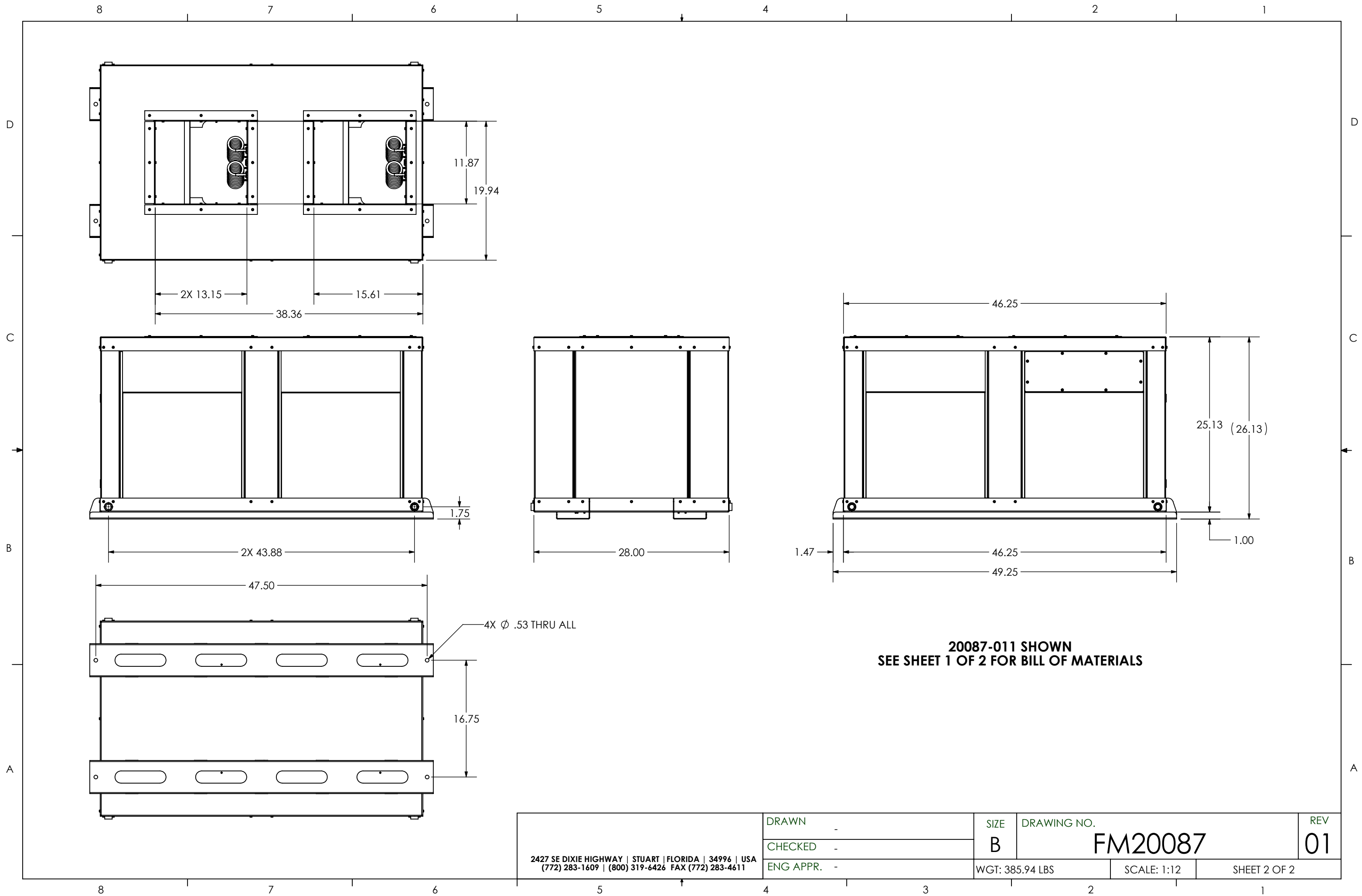
SIZE **B** DWG. NO. **FM20087** REV **01**

OLD PART NO. -

SCALE: 1:12 | WGT: 386.34 LBS | SHEET 1 OF 2

- NOTES:
- NO SHARP EDGES PERMITTED.
  - PREFERRED LIMITS AND FITS PER ANSI B4.1 (INCHES).
  - DIMENSIONING & TOLERANCING PER ASME Y14.5M.

PRELIMINARY - UNRELEASED  
THIS DRAWING WILL NOT BE RECORDED  
CHANGES WILL BE RECORDED  
April 20, 2011



2427 SE DIXIE HIGHWAY   STUART   FLORIDA   34996   USA (772) 283-1609   (800) 319-6426 FAX (772) 283-4611	DRAWN -	SIZE B	DRAWING NO. FM20087	REV 01
	CHECKED -			
	ENG APPR. -	WGT: 385.94 LBS	SCALE: 1:12	SHEET 2 OF 2