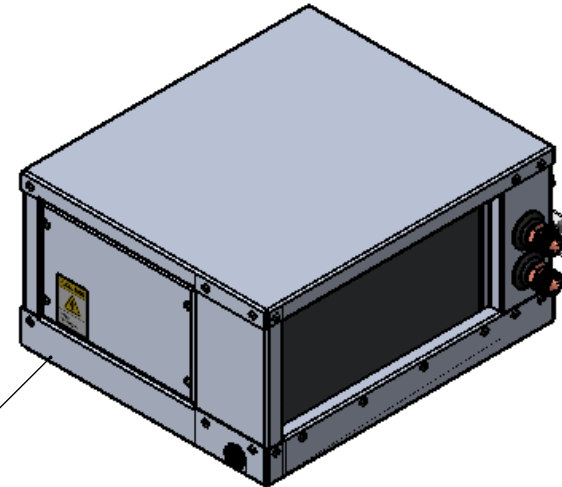


| PART NUMBER | DESCRIPTION |
|-------------|---|
| 20114-001 | ASSEMBLY, CHILLED WATER, FAN COIL, FM16CWFC-LP-EN, 120V |
| 20114-011 | ASSEMBLY, CHILLED WATER, FAN COIL, FM16CWFC-LP-EN, 120V, WITH OPTIONAL HEAT |
| 20114-101 | ASSEMBLY, CHILLED WATER, FAN COIL, FM16CWFC-LP-EN, 230V |
| 20114-111 | ASSEMBLY, CHILLED WATER, FAN COIL, FM16CWFC-LP-EN, 230V, WITH OPTIONAL HEAT |

| FLAGSHIP MARINE, INC. | | | | |
|-----------------------|------|---|-----------|--------------|
| REV. | ZONE | DESCRIPTION | DATE | ENG APPROVAL |
| 01 | - | INITIAL CHECK-IN | 3/19/2014 | - |
| 02 | - | 60031-001 & 60031-002 WAS 60032-001 & 60032-002 | 5/7/2014 | - |



SEE SHEET 2 OF 3 FOR DIMENSIONS

PRELIMINARY - UNRELEASED

CHANGES WILL NOT BE RECORDED Monday, June 02, 2014

| | | | | | | | | | | | | | |
|----|------------|--|----|----|----|----|----|-----------|--|---|---|---|---|
| 41 | 80037-001 | WELDMENT, DRAIN PAN, CHILLED WATER, FAN COIL, FM9CWFC-LP-EN | 1 | 1 | 1 | 1 | 20 | 60510-001 | LABEL, CLEAR OVERLAY | 1 | 1 | 1 | 1 |
| 40 | 70387-001 | FABRICATION, PANEL, CHILLED WATER, FAN COIL, FM9CWFC-LP-EN | 2 | 2 | 2 | 2 | 19 | 60506-001 | LABEL, DYMO LABEL WRITER DUO, MISC | 1 | 1 | 1 | 1 |
| 39 | 70386-001 | FABRICATION, COVER, CHILLED WATER, FAN COIL, FM9CWFC-LP-EN | 1 | 1 | 1 | 1 | 18 | 60506-001 | LABEL, DYMO LABEL WRITER DUO, MISC | 1 | 1 | 1 | 1 |
| 38 | 70385-001 | FABRICATION, SUPPORT RAIL, CHILLED WATER, FAN COIL, FM9CWFC-LP-EN | 2 | 2 | 2 | 2 | 17 | 60505-001 | LABEL, MADE IN USA | 1 | 1 | 1 | 1 |
| 37 | 70384-001 | FABRICATION, PANEL, REAR, CHILLED WATER, FAN COIL, FM9CWFC-LP-EN | 1 | 1 | 1 | 1 | 16 | 60504-001 | LABEL, CAUTION HIGH VOLTAGE | 2 | 2 | 2 | 2 |
| 36 | 70383-002 | FABRICATION, CORNER, CHILLED WATER, FAN COIL, FM9CWFC-LP-EN | 1 | 1 | 1 | 1 | 15 | 60500-001 | LABEL, FMI MANUFACTURED BY | 1 | 1 | 1 | 1 |
| 35 | 70383-001 | FABRICATION, CORNER, CHILLED WATER, FAN COIL, FM9CWFC-LP-EN | 1 | 1 | 1 | 1 | 14 | 60223-001 | EVAPORATOR, 9000 MBTU, 6.50HX12.00W, X ROW | 1 | 1 | 1 | 1 |
| 34 | 70382-001 | FABRICATION, BASE, CHILLED WATER, FAN COIL, FM9CWFC-LP-EN | 1 | 1 | 1 | 1 | 13 | 60139-001 | GROMMET, SNAP-IN SEALING, 1/2" PIPE, FITS .82"-.91" PIPE DIA. | 2 | 2 | 2 | 2 |
| 33 | 70086-001 | FABRICATION, LID, ENCLOSURE, HEATER COIL, AIR CONDITIONER, FM9R | - | 1 | - | 1 | 12 | 60132-001 | GROMMET, ALL-FIT ADJUSTABLE, PUSH IN LOCKING, NYLON | 2 | 2 | 2 | 2 |
| 32 | 70085-001 | FABRICATION, ENCLOSURE, HEATER COIL, AIR CONDITIONER, FM9R | - | 1 | - | 1 | 11 | 60131-001 | GROMMET, 11/16" PUSH-IN LOCKING, NYLON | - | 1 | - | 1 |
| 31 | 672A GP 03 | TERMINAL BLOCK, 300 SERIES, KULKA 672A GP SERIES, 600V, 3 POLE | 1 | 1 | 1 | 1 | 10 | 60062-001 | THERMAL LIMIT SWITCH, 130 DEGREE | - | 1 | - | 1 |
| 30 | 670A GP 04 | TERMINAL BLOCK, 100 SERIES, KULKA 670A GP SERIES, 150V, 4 POLE | 1 | 1 | 1 | 1 | 9 | 60060-001 | THERMAL LIMIT SWITCH, 110 DEGREE | - | 1 | - | 1 |
| 29 | 60652-001 | SCREW, #8-32 X 1" - #2 DRIVE TRUSS HEAD PHILLIPS, 18-8 SS | 8 | 8 | 8 | 8 | 8 | 60031-002 | HEATER ELEMENT, COIL, 45"L, 8MM, 1700W, 240VAC, DBL END THRD BULKHEAD | - | - | - | 1 |
| 28 | 60649-001 | SCREW, #8-32 X 3/8" - #2 DRIVE TRUSS HEAD PHILLIPS, 18-8 SS | 12 | 12 | 12 | 12 | 7 | 60031-001 | HEATER ELEMENT, COIL, 45"L, 8MM, 1700W, 120VAC, DBL END THRD BULKHEAD | - | 1 | - | - |
| 27 | 60636-001 | WASHER, REGULAR FLAT TYPE B, #10 X .203"ID X .562"OD X .04"THK, 410 SS | 6 | 6 | 6 | 6 | 6 | 60024-001 | BLOWER, PSC, SHADED POLE, 1TDT1 | - | - | 1 | 1 |
| 26 | 60581-001 | #8-32 X 5/8" PHMS 18-8 SS | 2 | 2 | 2 | 2 | 5 | 60017-001 | BLOWER, PSC, SHADED POLE, 1TDR9 | 1 | 1 | - | - |
| 25 | 60572-001 | #8-32 X 1 1/4" PHMS 18-8 SS | 2 | 2 | 2 | 2 | 4 | 5520K127 | SOLDER-JOINT COPEER TUBE FITTING, REDUCING ADAPTER, 5/8" TUBE, 3/4" NPT | 2 | 2 | 2 | 2 |
| 24 | 60533-001 | RIVET, 3/16" DIA. .062-.125" GRIP RANGE, SSB6-2S | 34 | 34 | 34 | 34 | 3 | 50001-001 | DETAIL, COVER, PROTECTIVE, TERMINAL BLOCK, 3 POS | 1 | 1 | 1 | 1 |
| 23 | 60526-001 | #8-32 MACHINE SCREW NUT SS | 4 | 4 | 4 | 4 | 2 | 20017-002 | ASSEMBLY, CONTROL BOX, CHILLED WATER, FAN COIL, WITH OPTIONAL HEAT, 9K-36K UNIVERSAL | - | 1 | - | 1 |
| 22 | 60521-001 | #8-32 X 1/2" PHMS 18-8 SS | 2 | 2 | 2 | 2 | 1 | 20017-001 | ASSEMBLY, CONTROL BOX, CHILLED WATER, FAN COIL, 9K-36K UNIVERSAL | 1 | - | 1 | - |
| 21 | 60517-001 | #8-32 x 3/8" PHMS 18-8 SS | - | 4 | - | 4 | | | | | | | |

| ITEM NO. | PART NUMBER | DESCRIPTION | 20114-001/QTY. | 20114-011/QTY. | 20114-101/QTY. | 20114-111/QTY. |
|----------|-------------|-------------|----------------|----------------|----------------|----------------|
|----------|-------------|-------------|----------------|----------------|----------------|----------------|

| ITEM NO. | PART NUMBER | DESCRIPTION | 20114-001/QTY. | 20114-011/QTY. | 20114-101/QTY. | 20114-111/QTY. |
|----------|-------------|-------------|----------------|----------------|----------------|----------------|
|----------|-------------|-------------|----------------|----------------|----------------|----------------|

FLAGSHIP MARINE, INC. BILL OF MATERIALS

FLAGSHIP MARINE, INC. BILL OF MATERIALS



FLAGSHIP MARINE, INC.
2427 SE DIXIE HIGHWAY
STUART | FLORIDA | 34996 | USA
(772) 283-1609 | (800) 316-6426
FAX (772) 283-4611

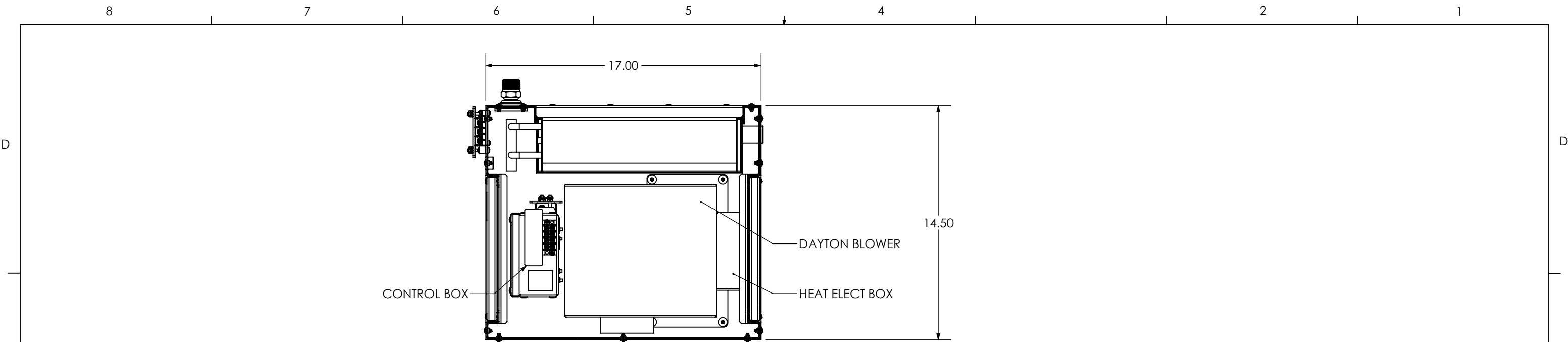
PROPRIETARY AND CONFIDENTIAL

THIS DOCUMENT CONTAINS INFORMATION PROPRIETARY TO FLAGSHIP MARINE, INC. NO PART MAY BE REPRODUCED, USED IN ANY FORM, OR STORED ELECTRONICALLY WITHOUT THE WRITTEN PERMISSION OF FLAGSHIP MARINE, INC.

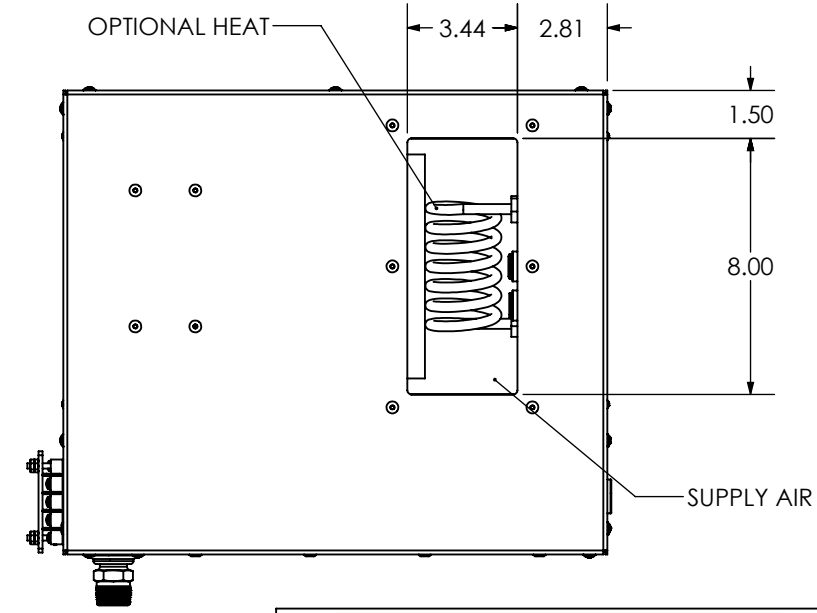
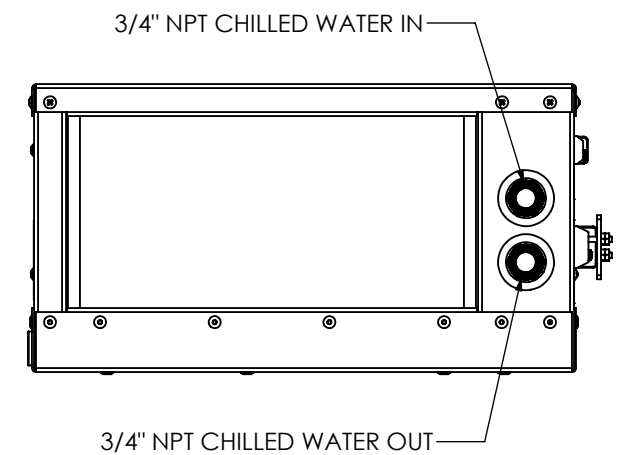
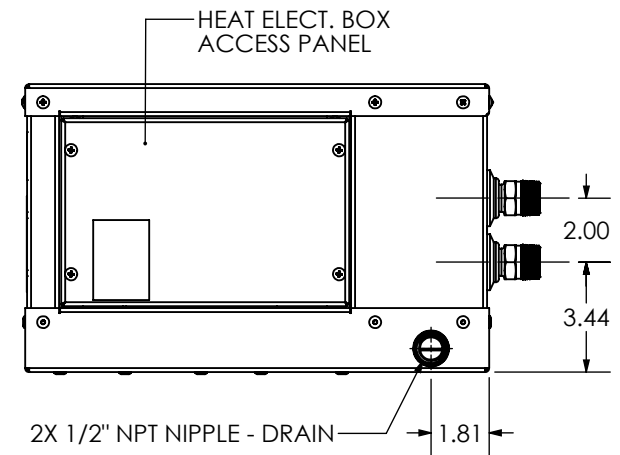
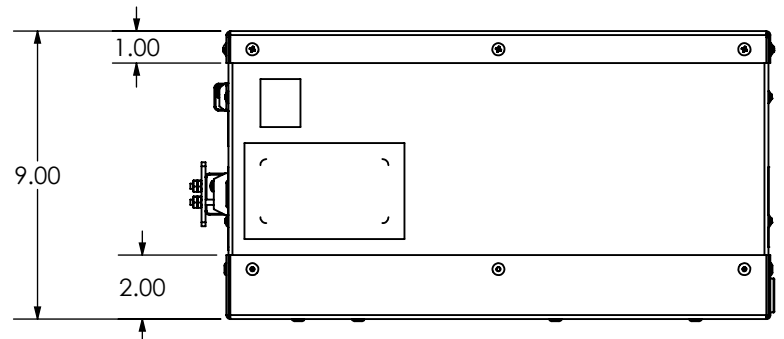
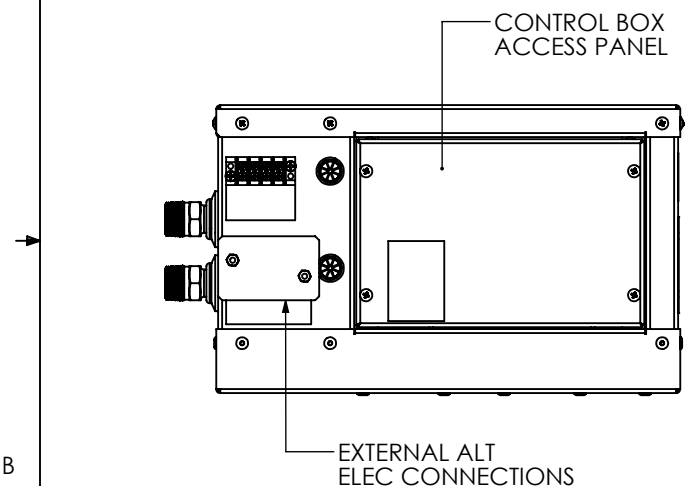
2. PREFERRED LIMITS AND FITS PER ANSI B4.1 (INCHES).
1. DIMENSIONING & TOLERANCING PER ASME Y14.5M.

NOTES:

| | | | | | | |
|--|--|---|--|------|---------|--|
| | | UNLESS OTHERWISE SPECIFIED: DIMENSIONS ARE IN INCHES TOLERANCES: FRACTIONS ± 1/32 ANG: MACH ± 0°30' BEND ± 2° DECIMALS .XX ± .01 .XXX ± .005 HOLE Ø .XX ± .005 | DRAWN | NAME | DATE | TITLE: ASSEMBLY, CHILLED WATER, FAN COIL, FM16CWFC-LP-EN PART NO. 20114-XX1 |
| | | INTERPRET GEOMETRIC TOLERANCING PER: ASME Y14.5M | CHECKED | TCM | - | |
| | | MATERIAL | ENG APPR. | TCM | - | |
| | | FINISH | MFG APPR. | TCM | - | |
| | | | Q.A. | EAS | - | |
| | | | PERP STRAIGHTNESS | ± | .003/IN | SIZE DWG. NO. B FM20114 REV 02 |
| | | | FLATNESS | ∓ | .005/IN | |
| | | | THREADS: | | | IMECO PART NO. TBD SCALE: 1:8 WGT: 81.69 LBS SHEET 1 OF 2 |
| | | | EXTERNAL - CLASS 2A INTERNAL - CLASS 2B MACHINED SURFACES: ✓ U.O.S | | | |



SHOWN WITH COVER REMOVED FOR CLAIRITY



NOTES:
 2. PREFERRED LIMITS AND FITS PER ANSI B4.1 (INCHES).
 1. DIMENSIONING & TOLERANCING PER ASME Y14.5M.

| | | | | |
|---|-------------------------------------|------------------|-------------------------------|------------------|
| <p>2427 SE DIXIE HIGHWAY STUART FLORIDA 34996 USA (772) 283-1609 (800) 316-6426 FAX (772) 283-4611</p> | DRAWN - CHECKED - ENG APPR. - | SIZE B | DRAWING NO. FM20112 | REV 02 |
| | WGT: 81.69 LBS | SCALE: 1:6 | SHEET 2 OF 2 | |