

PART NUMBER	DESCRIPTION	FLAGSHIP MARINE, INC.				
		REV.	ZONE	DESCRIPTION	DATE	ENG APPROVAL
20120-001	ASSEMBLY, CHILLED WATER, FAN COIL, FM24CWFC-LP-EN, 120V, REAR	01	-	INITIAL CHECK-IN	3/19/2014	-

2. PREFERRED LIMITS AND FITS PER ANSI B4.1 (INCHES).
 1. DIMENSIONING & TOLERANCING PER ASME Y14.5M.
 NOTES:

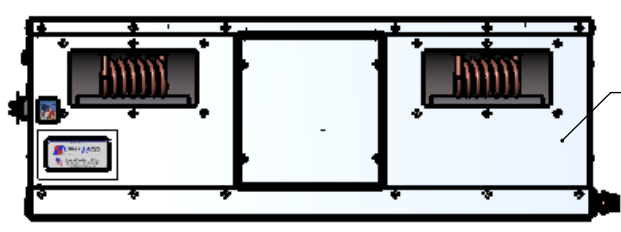
ITEM NO.	PART NUMBER	DESCRIPTION	20120-001/QTY.	20120-011/QTY.	20120-101/QTY.	20120-111/QTY.	ITEM NO.	PART NUMBER	DESCRIPTION	20120-001/QTY.	20120-011/QTY.	20120-101/QTY.	20120-111/QTY.
47	80039-002	WELDMENT, DRAIN PAN, CHILLED WATER, FAN COIL, FM24CWFC-LP-EN	1	1	1	1	25	60527-001	#8-18 X 1/2" HWH #3 PT SELF DRILLING SCREW, 410 SS	6	6	6	6
46	80039-001	WELDMENT, DRAIN PAN, CHILLED WATER, FAN COIL, FM24CWFC-LP-EN	1	1	1	1	24	60526-001	#8-32 MACHINE SCREW NUT SS	4	4	4	4
45	80038-001	WELDMENT, DRAIN PAN, CHILLED WATER, FAN COIL, FM24CWFC-LP-EN	1	1	1	1	23	60521-001	#8-32 X 1/2" PHMS 18-8 SS	2	2	2	2
44	70851-001	FABRICATION, PANEL, CHILLED WATER, FAN COIL, FM24CWFC-LP-EN	3	3	3	3	22	60517-001	#8-32 x 3/8" PHMS 18-8 SS	-	8	-	8
43	70850-001	FABRICATION, COVER, CHILLED WATER, FAN COIL, FM24CWFC-LP-EN	1	1	1	1	21	60510-001	LABEL, CLEAR OVERLAY	1	1	1	1
42	70849-001	FABRICATION, SUPPORT RAIL, CHILLED WATER, FAN COIL, FM24CWFC-LP-EN	3	3	3	3	20	60506-001	LABEL, DYMO LABEL WRITER DUO, MISC	1	1	1	1
41	70848-002	FABRICATION, CORNER, CHILLED WATER, FAN COIL, FM24CWFC-LP-EN	1	1	1	-	19	60506-001	LABEL, DYMO LABEL WRITER DUO, MISC	1	1	1	1
40	70848-001	FABRICATION, CORNER, CHILLED WATER, FAN COIL, FM24CWFC-LP-EN	1	1	1	2	18	60505-001	LABEL, MADE IN USA	1	1	1	1
39	70847-001	FABRICATION, BIFECTOR, CHILLED WATER, FAN COIL, FM24CWFC-LP-EN	1	1	1	1	17	60504-001	LABEL, CAUTION HIGH VOLTAGE	1	1	1	1
38	70846-002	FABRICATION, CORNER, CHILLED WATER, FAN COIL, FM24CWFC-LP-EN	1	1	1	1	16	60500-001	LABEL, FMI MANUFACTURED BY	1	1	1	1
37	70846-001	FABRICATION, CORNER, CHILLED WATER, FAN COIL, FM24CWFC-LP-EN	1	1	1	1	15	60213-001	EVAPORATOR, 18000LP MBTU, 10HX14W, 3 ROW	1	1	1	1
36	70133-001	FABRICATION, BRACKET, BLOWER, AIR CONDITIONER, FM18R-LP	2	2	2	2	14	60139-001	GROMMET, SNAP-IN SEALING, 1/2" PIPE, FITS .82"-.91" PIPE DIA.	2	2	2	2
35	70086-001	FABRICATION, LID, ENCLOSURE, HEATER COIL, AIR CONDITIONER, FM9R	-	2	-	2	13	60132-001	GROMMET, ALL-FIT ADJUSTABLE, PUSH IN LOCKING, NYLON	2	2	2	2
34	70085-001	FABRICATION, ENCLOSURE, HEATER COIL, AIR CONDITIONER, FM9R	-	2	-	2	12	60131-001	GROMMET, 11/16" PUSH-IN LOCKING, NYLON	-	2	-	2
33	672A GP 03	TERMINAL BLOCK, 300 SERIES, KULKA 672A GP SERIES, 600V, 3 POLE	1	1	1	1	11	60062-001	THERMAL LIMIT SWITCH, 130 DEGREE	-	2	-	2
32	670A GP 04	TERMINAL BLOCK, 100 SERIES, KULKA 670A GP SERIES, 150V, 4 POLE	1	1	1	1	10	60060-001	THERMAL LIMIT SWITCH, 110 DEGREE	-	2	-	2
31	60652-001	SCREW, #8-32 X 1" - #2 DRIVE TRUSS HEAD PHILLIPS, 18-8 SS	12	12	12	12	9	60032-002	HEATER ELEMENT, COIL, 45"L, 8MM, 2000W, 240VAC, DBL END THRD BULKHEAD	-	-	-	2
30	60649-001	SCREW, #8-32 X 3/8" - #2 DRIVE TRUSS HEAD PHILLIPS, 18-8 SS	16	16	16	16	8	60032-001	HEATER ELEMENT, COIL, 45"L, 8MM, 2000W, 120VAC, DBL END THRD BULKHEAD	-	2	-	-
29	60636-001	WASHER, REGULAR FLAT TYPE B, #10 X .203"ID X .562"OD X .04"THK, 410 SS	12	12	12	12	7	60024-001	BLOWER, PSC, SHADED POLE, 1TDR9	-	-	2	2
28	60581-001	#8-32 X 5/8" PHMS 18-8 SS	2	2	2	2	6	60017-001	BLOWER, PSC, SHADED POLE, 1TDR9	2	2	-	-
27	60572-001	#8-32 X 1 1/4" PHMS 18-8 SS	2	2	2	2	5	5520K127	SOLDER-JOINT COPEER TUBE FITTING, REDUCING ADAPTER, 5/8" TUBE, 3/4" NPT	2	2	2	2
26	60533-001	RIVET, 3/16" DIA. .062-.125" GRIP RANGE, SSB6-2S	58	59	59	59	4	50045-001	MODIFICATION, EVAPORATOR, 18000LP MBTU, 10HX14W, 3 ROW	1	1	1	1
							3	50001-001	DETAIL, COVER, PROTECTIVE, TERMINAL BLOCK, 3 POS	1	1	1	1
							2	20017-002	ASSEMBLY, CONTROL BOX, CHILLED WATER, FAN COIL, WITH OPTIONAL HEAT, 9K-36K UNIVERSAL	-	1	-	1
							1	20017-001	ASSEMBLY, CONTROL BOX, CHILLED WATER, FAN COIL, 9K-36K UNIVERSAL	1	-	1	-

PRELIMINARY - UNRELEASED
 CHANGES WILL NOT BE RECORDED
 Thursday, May 08, 2014

ITEM NO.	PART NUMBER	DESCRIPTION	20120-001/QTY.	20120-011/QTY.	20120-101/QTY.	20120-111/QTY.	ITEM NO.	PART NUMBER	DESCRIPTION	20120-001/QTY.	20120-011/QTY.	20120-101/QTY.	20120-111/QTY.
----------	-------------	-------------	----------------	----------------	----------------	----------------	----------	-------------	-------------	----------------	----------------	----------------	----------------

FLAGSHIP MARINE, INC. BILL OF MATERIALS

FLAGSHIP MARINE, INC. BILL OF MATERIALS



SEE SHEET 2 OF 4 FOR DIMENSIONS

Flagship Marine
 CORPORATION
 EST. 1982

FLAGSHIP MARINE, INC.
 2427 SE DIXIE HIGHWAY
 STUART | FLORIDA | 34996 | USA
 (772) 283-1609 | (800) 316-6426
 FAX (772) 283-4611

PROPRIETARY AND CONFIDENTIAL

THIS DOCUMENT CONTAINS INFORMATION PROPRIETARY TO FLAGSHIP MARINE, INC. NO PART MAY BE REPRODUCED, USED IN ANY FORM, OR STORED ELECTRONICALLY WITHOUT THE WRITTEN PERMISSION OF FLAGSHIP MARINE, INC.

UNLESS OTHERWISE SPECIFIED:	NAME	DATE
DIMENSIONS ARE IN INCHES	SWC	3/19/2014
TOLERANCES:	TCM	-
FRACTIONS ± 1/32	TCM	-
ANG: MACH ± 0°30' BEND ± 2°	TCM	-
DECIMALS .XX ± .01	TCM	-
.XXX ± .005	TCM	-
HOLE Ø .XX ± .005	TCM	-
INTERPRET GEOMETRIC TOLERANCING PER: ASME Y14.5M	EAS	-
MATERIAL		
PERP	∟	.003/IN
STRAIGHTNESS	—	.005/IN
FLATNESS	≡	.005/IN
THREADS:		
EXTERNAL - CLASS 2A		
INTERNAL - CLASS 2B		
MACHINED SURFACES: ✓ U.O.S		
FINISH		
NEXT ASSY	USED ON	
APPLICATION	DO NOT SCALE DRAWING	

TITLE: ASSEMBLY, CHILLED WATER, FAN COIL, FM24CWFC-LP-EN, REAR

PART NO. 20120-XX1

SIZE DWG. NO. REV
B FM20120 **01**

OLD PART NO. -

SCALE: 1:12 | WGT: 192.42 LBS | SHEET 1 OF 4

8 7 6 5 4 2 1

D

C

B

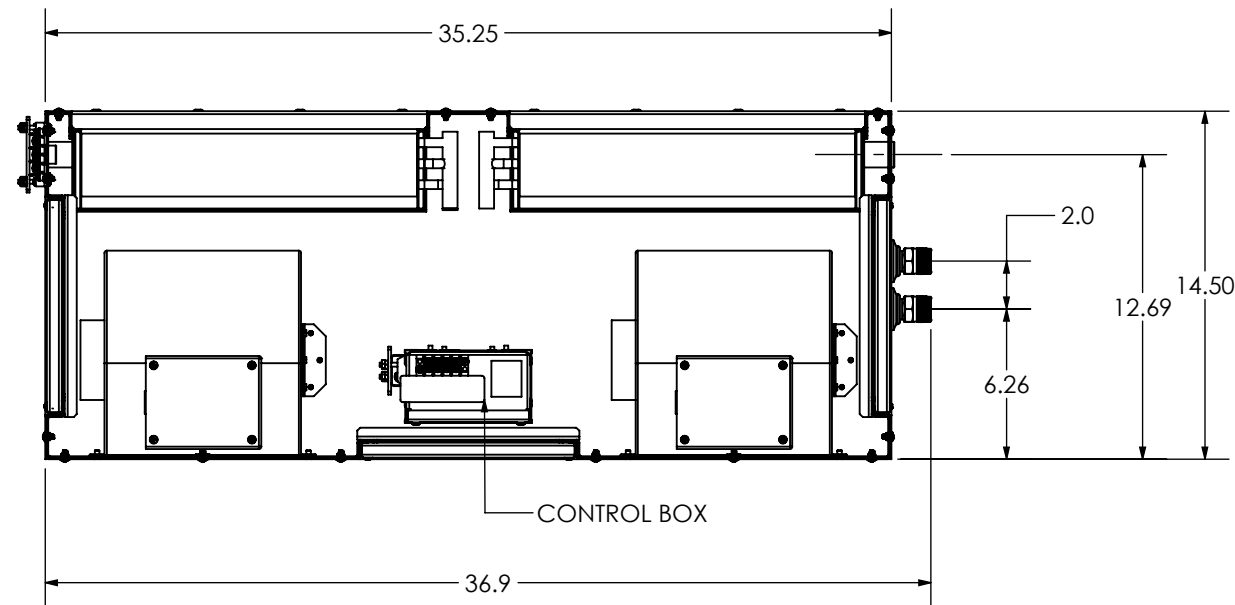
A

D

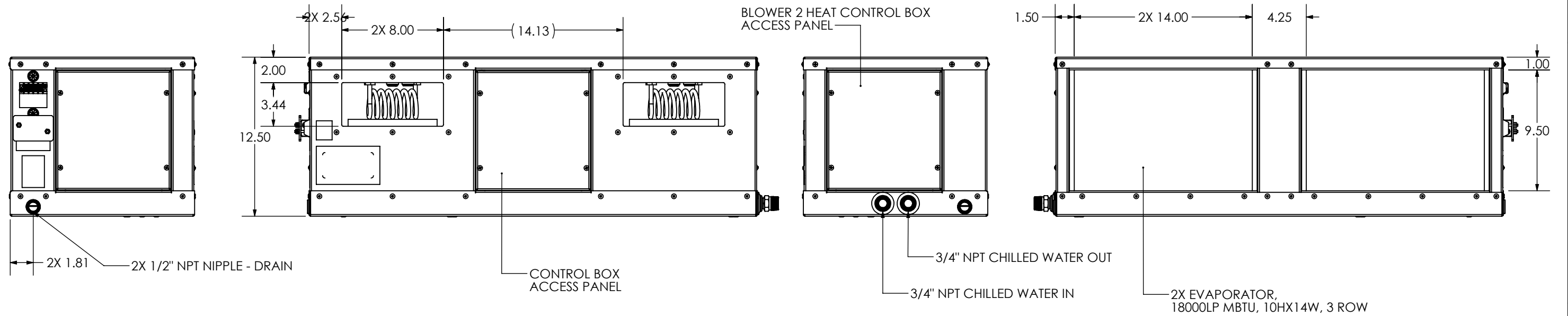
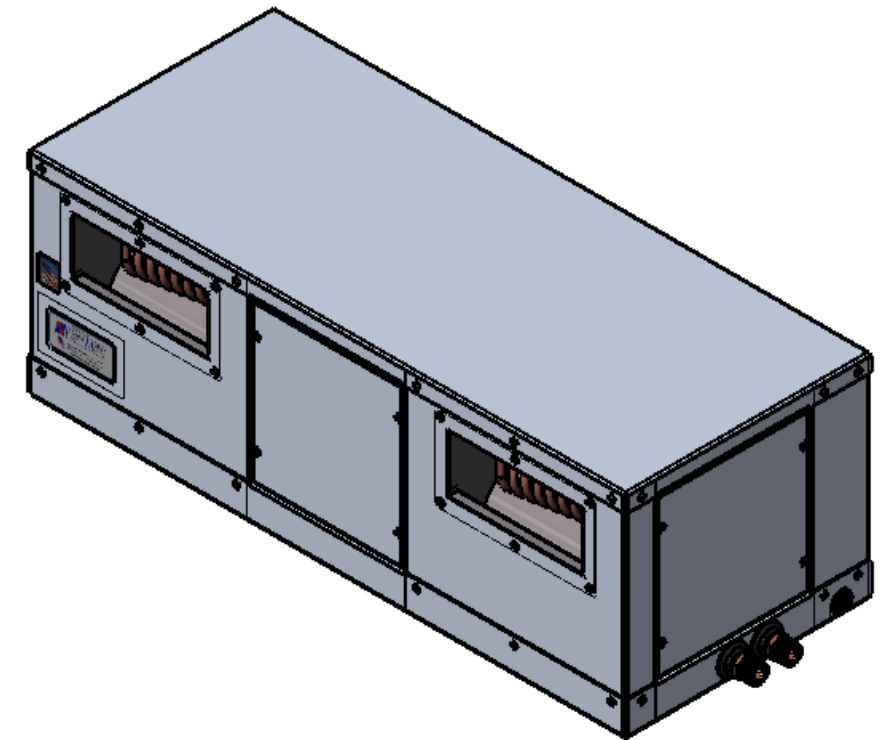
C

B

A



SHOWN WITH COVER REMOVED FOR CLAIRITY



2. PREFERRED LIMITS AND FITS PER ANSI B4.1 (INCHES).
 1. DIMENSIONING & TOLERANCING PER ASME Y14.5M.
 NOTES:

<p>2427 SE DIXIE HIGHWAY STUART FLORIDA 34996 USA (772) 283-1609 (800) 316-6426 FAX (772) 283-4611</p>	DRAWN -	SIZE B	DRAWING NO. FM20120	REV 01
	CHECKED -	WGT: 192.42 LBS	SCALE: 1:8	SHEET 2 OF 4
	ENG APPR. -			

8 7 6 5 4 3 2 1

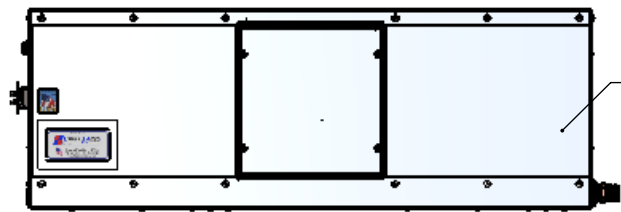
PART NUMBER	DESCRIPTION
20120-002	ASSEMBLY, CHILLED WATER, FAN COIL, FM24CWFC-LP-EN, 120V, BASE
20120-012	ASSEMBLY, CHILLED WATER, FAN COIL, FM24CWFC-LP-EN, 120V, BASE, WITH OPTIONAL HEAT
20120-102	ASSEMBLY, CHILLED WATER, FAN COIL, FM24CWFC-LP-EN, 230V, BASE
20120-112	ASSEMBLY, CHILLED WATER, FAN COIL, FM24CWFC-LP-EN, 230V, BASE, WITH OPTIONAL HEAT

2. PREFERRED LIMITS AND FITS PER ANSI B4.1 (INCHES).
1. DIMENSIONING & TOLERANCING PER ASME Y14.5M.
NOTES:

ITEM NO.	PART NUMBER	DESCRIPTION	20120-002/QTY.	20120-012/QTY.	20120-102/QTY.	20120-112/QTY.	ITEM NO.	PART NUMBER	DESCRIPTION	20120-002/QTY.	20120-012/QTY.	20120-102/QTY.	20120-112/QTY.
47	80039-002	WELDMENT, DRAIN PAN, CHILLED WATER, FAN COIL, FM24CWFC-LP-EN	1	1	1	1	25	60527-001	#8-18 X 1/2" HWH #3 PT SELF DRILLING SCREW, 410 SS	6	6	3	3
46	80039-001	WELDMENT, DRAIN PAN, CHILLED WATER, FAN COIL, FM24CWFC-LP-EN	1	1	1	1	24	60526-001	#8-32 MACHINE SCREW NUT SS	4	4	4	4
45	80038-011	WELDMENT, DRAIN PAN, CHILLED WATER, FAN COIL, FM24CWFC-LP-EN	1	1	1	1	23	60521-001	#8-32 X 1/2" PHMS 18-8 SS	2	2	2	2
44	70851-001	FABRICATION, PANEL, CHILLED WATER, FAN COIL, FM24CWFC-LP-EN	3	3	3	3	22	60517-001	#8-32 x 3/8" PHMS 18-8 SS	4	8	4	8
43	70850-001	FABRICATION, COVER, CHILLED WATER, FAN COIL, FM24CWFC-LP-EN	1	1	1	1	21	60510-001	LABEL, CLEAR OVERLAY	1	1	1	1
42	70849-001	FABRICATION, SUPPORT RAIL, CHILLED WATER, FAN COIL, FM24CWFC-LP-EN	3	3	3	3	20	60506-001	LABEL, DYMO LABEL WRITER DUO, MISC	1	1	1	1
41	70848-012	FABRICATION, CORNER, CHILLED WATER, FAN COIL, FM24CWFC-LP-EN	1	1	1	1	19	60506-001	LABEL, DYMO LABEL WRITER DUO, MISC	1	1	1	1
40	70848-011	FABRICATION, CORNER, CHILLED WATER, FAN COIL, FM24CWFC-LP-EN	1	1	1	1	18	60505-001	LABEL, MADE IN USA	1	1	1	1
39	70847-001	FABRICATION, BIFECTOR, CHILLED WATER, FAN COIL, FM24CWFC-LP-EN	1	1	1	1	17	60504-001	LABEL, CAUTION HIGH VOLTAGE	1	1	1	1
38	70846-002	FABRICATION, CORNER, CHILLED WATER, FAN COIL, FM24CWFC-LP-EN	1	1	1	1	16	60500-001	LABEL, FMI MANUFACTURED BY	1	1	1	1
37	70846-001	FABRICATION, CORNER, CHILLED WATER, FAN COIL, FM24CWFC-LP-EN	1	1	1	1	15	60213-001	EVAPORATOR, 18000LP MBTU, 10HX14W, 3 ROW	1	1	1	1
36	70133-001	FABRICATION, BRACKET, BLOWER, AIR CONDITIONER, FM18R-LP	2	2	2	2	14	60139-001	GROMMET, SNAP-IN SEALING, 1/2" PIPE, FITS .82"- .91" PIPE DIA.	2	2	2	2
35	70086-001	FABRICATION, LID, ENCLOSURE, HEATER COIL, AIR CONDITIONER, FM9R	1	2	1	2	13	60132-001	GROMMET, ALL-FIT ADJUSTABLE, PUSH IN LOCKING, NYLON	2	2	2	2
34	70085-001	FABRICATION, ENCLOSURE, HEATER COIL, AIR CONDITIONER, FM9R	1	2	1	2	12	60131-001	GROMMET, 11/16" PUSH-IN LOCKING, NYLON	1	2	1	2
33	672A GP 03	TERMINAL BLOCK, 300 SERIES, KULKA 672A GP SERIES, 600V, 3 POLE	1	1	1	1	11	60062-001	THERMAL LIMIT SWITCH, 130 DEGREE	1	2	1	2
32	670A GP 04	TERMINAL BLOCK, 100 SERIES, KULKA 670A GP SERIES, 150V, 4 POLE	1	1	1	1	10	60060-001	THERMAL LIMIT SWITCH, 110 DEGREE	1	2	1	2
31	60652-001	SCREW, #8-32 X 1" - #2 DRIVE TRUSS HEAD PHILLIPS, 18-8 SS	12	12	12	12	9	60032-002	HEATER ELEMENT, COIL, 45"L, 8MM, 2000W, 240VAC, DBL END THRD BULKHEAD	-	-	-	2
30	60649-001	SCREW, #8-32 X 3/8" - #2 DRIVE TRUSS HEAD PHILLIPS, 18-8 SS	16	16	16	16	8	60032-001	HEATER ELEMENT, COIL, 45"L, 8MM, 2000W, 120VAC, DBL END THRD BULKHEAD	1	2	1	-
29	60636-001	WASHER, REGULAR FLAT TYPE B, #10 X .203"ID x .562"OD X .04"THK, 410 SS	12	12	12	12	7	60024-001	BLOWER, PSC, SHADED POLE, 1TDR1	1	1	2	2
28	60581-001	#8-32 X 5/8" PHMS 18-8 SS	2	2	2	2	6	60017-001	BLOWER, PSC, SHADED POLE, 1TDR9	2	2	1	1
27	60572-001	#8-32 X 1 1/4" PHMS 18-8 SS	2	2	2	2	5	5520K127	SOLDER-JOINT COPEER TUBE FITTING, REDUCING ADAPTER, 5/8" TUBE, 3/4" NPT	2	2	2	2
26	60533-001	RIVET, 3/16" DIA. .062-.125" GRIP RANGE, SSB6-2S	58	58	58	58	4	50045-001	MODIFICATION, EVAPORATOR, 18000LP MBTU, 10HX14W, 3 ROW	1	1	1	1
							3	50001-001	DETAIL, COVER, PROTECTIVE, TERMINAL BLOCK, 3 POS	1	1	1	1
							2	20017-002	ASSEMBLY, CONTROL BOX, CHILLED WATER, FAN COIL, WITH OPTIONAL HEAT, 9K-36K UNIVERSAL	-	1	-	1
							1	20017-001	ASSEMBLY, CONTROL BOX, CHILLED WATER, FAN COIL, 9K-36K UNIVERSAL	1	-	1	-

FLAGSHIP MARINE, INC. BILL OF MATERIALS

FLAGSHIP MARINE, INC. BILL OF MATERIALS



SEE SHEET 4 OF 4 FOR DIMENSIONS

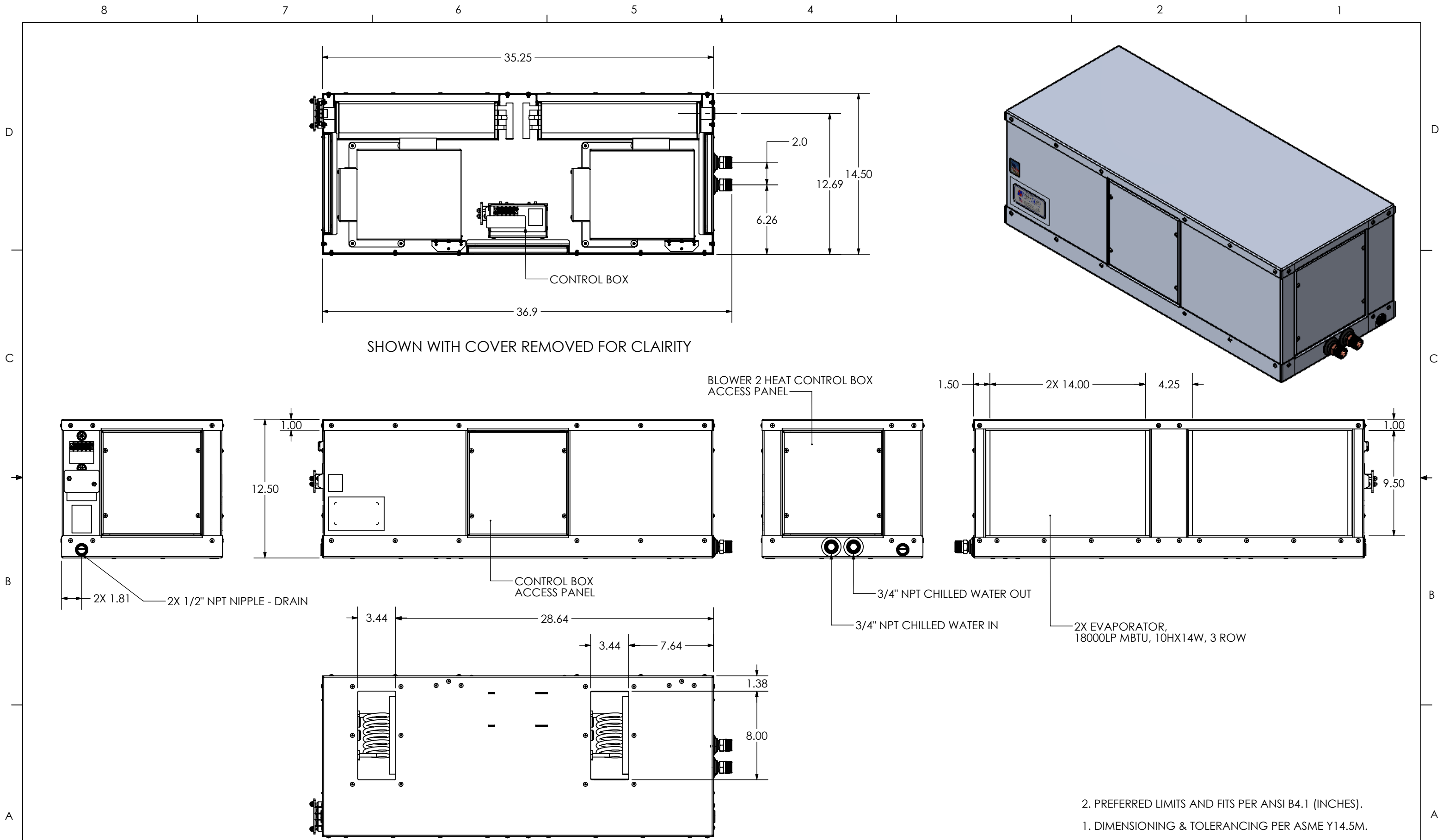
Flagship Marine
COMPONENTS
FLAGSHIP MARINE, INC.
2427 SE DIXIE HIGHWAY
STUART | FLORIDA | 34996 | USA
(772) 283-1609 | (800) 316-6426
FAX (772) 283-4611

PROPRIETARY AND CONFIDENTIAL

THIS DOCUMENT CONTAINS INFORMATION PROPRIETARY TO FLAGSHIP MARINE, INC. NO PART MAY BE REPRODUCED, USED IN ANY FORM, OR STORED ELECTRONICALLY WITHOUT THE WRITTEN PERMISSION OF FLAGSHIP MARINE, INC.

UNLESS OTHERWISE SPECIFIED:			
DIMENSIONS ARE IN INCHES			
TOLERANCES:			
FRACTIONS ± 1/32			
ANG: MACH ± 0°30' BEND ± 2°			
DECIMALS .XX ± .01			
.XXX ± .005			
HOLE Ø .XX ± .005			
INTERPRET GEOMETRIC TOLERANCING PER: ASME Y14.5M			
MATERIAL			
FINISH			
NEXT ASSY	USED ON		
APPLICATION	DO NOT SCALE DRAWING		

NAME	DATE	TITLE:
SWC	3/19/2014	ASSEMBLY, CHILLED WATER, FAN COIL, FM24CWFC-LP-EN, BASE
TCM	-	PART NO.
TCM	-	20120-XX2
TCM	-	SIZE
EAS	-	B
.003/IN		DWG. NO.
.005/IN		FM20120
.005/IN		REV
		01
EXTERNAL - CLASS 2A		OLD PART NO. -
INTERNAL - CLASS 2B		SCALE: 1:12
MACHINED SURFACES: ✓ U.O.S		WGT: 240.56 LBS
		SHEET 3 OF 4



Flagship Marine
 Commercial Quality Factory Direct Prices
 2427 SE DIXIE HIGHWAY | STUART | FLORIDA | 34996 | USA
 (772) 283-1609 | (800) 316-6426 FAX (772) 283-4611

DRAWN -	SIZE B	DRAWING NO. FM20120	REV 01
CHECKED -	WGT: 240.56 LBS	SCALE: 1:8	SHEET 4 OF 4
ENG APPR. -			