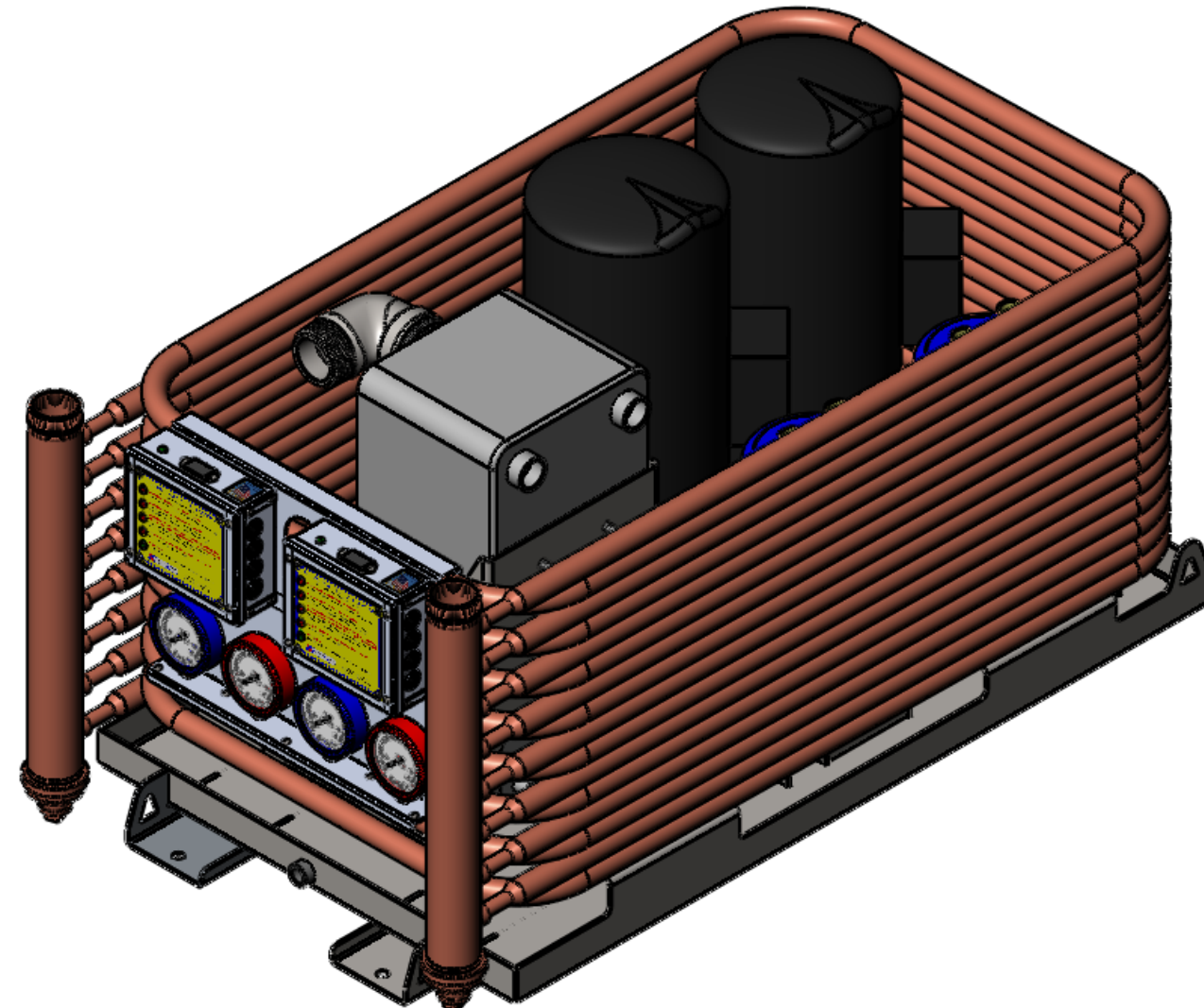


FLAGSHIP MARINE, INC.				
REV.	ZONE	DESCRIPTION	DATE	ENG APPROVAL
01	-	INITIAL CHECK-IN	7/20/2011	-



24	ZR144KC-TFD-950	CONDENSER, 3PH, 60 Hz, 460V	2
23	FM70707	FABRICATION, BRACKET, LIQUID GAUGE & LOW VOLTAGE ENCLOSURE, CHILLER, FM360CW	1
22	FM60208	EVAPORATOR, CHILLED WATER, FM360CW	1
21	80278-002	WELDMENT, MANIFOLD, 2" PIPE X 20.50"L, FM240CW	2
20	80268-001	WELDMENT, BASE, CHILLER, FM240CW / FM360CW	1
19	72396	#8-32 x 3/8" PHMS 18-8 SS	18
18	70706-001	FABRICATION, PANEL, LIQUID GAUGE & LOW VOLTAGE ENCLOSURE, CHILLER, FM360CW	1
17	70705-001	FABRICATION, BRACKET, EVAPORATOR, CHILLER, FM360CW	1
16	60071-001	STANDOFF, .385 ID X 1.406 OD X 1.00 THK, 70 DURO EPDM BLACK	8
15	60070-001	WASHER, .385 ID X 1.406 OD X .25 THK, 60 DURO EPDM BLACK	8
14	60054-001	SUCTION ACCUMULATOR, CHILLED WATER, FM180CW / FM240CW & FM360CW	2
13	60045-002	PRESSURE GAUGE, LOW SIDE, BLUE, YELLOW JACKET 49002	2
12	60045-001	PRESSURE GAUGE, HIGH SIDE, RED, YELLOW JACKET 49001	2
11	50015-001	FABRICATION, TUBING, CHILLER, FM360CW	8
10	4813K131	PIPE, 2 1/2" NPT X 18"L, 304 SS	1
9	4464K127	2 1/2" NPT FEMALE MALE 90 DEG ELBOW, 304 SS	2
8	4464K121	2 1/2" NPT 90 DEG ELBOW, 304 SS	1
7	4429K749	REDUCING COUPLING, 2" NPT - 3/4" NPT, CAST BRASS	2
6	4429K315	PLUG, 3/4" NPT, CAST BRASS	2
5	37NWLOS	3/8 LOCK WASHER SS	12
4	37N125WFES	3/8 X 1-1/4 FENDER WASHER SS	4
3	37N125WFES	3/8 X 1-1/4 FENDER WASHER SS	8
2	37CNFHS	3/8 HEX FINISH NUT SS	12
1	20014-002	ASSEMBLY, ENCLOSURE, LOW VOLTAGE, CHILLERS, WITH A/C HOUR METER, US NAVY	2
ITEM NO.	PART NUMBER	DESCRIPTION	20068-001/QTY.

Flagship Marine
 Components
 Quality Direct
 Flagship

FLAGSHIP MARINE, INC.
 2427 SE DIXIE HIGHWAY
 STUART | FLORIDA | 34996 | USA
 (772) 283-1609 | (800) 316-6426
 FAX (772) 283-4611

PROPRIETARY AND CONFIDENTIAL
 THIS DOCUMENT CONTAINS INFORMATION PROPRIETARY TO FLAGSHIP MARINE, INC. NO PART MAY BE REPRODUCED, USED IN ANY FORM, OR STORED ELECTRONICALLY WITHOUT THE WRITTEN PERMISSION OF FLAGSHIP MARINE, INC.

UNLESS OTHERWISE SPECIFIED:		NAME	DATE
DIMENSIONS ARE IN INCHES		DRAWN	SWC 5/11/2010
TOLERANCES:		CHECKED	TCM -
FRACTIONS ± 1/32		ENG APPR.	TCM -
ANG: MACH ± 0°30' BEND ± 2°		MFG APPR.	TCM -
DECIMALS .XX ± .01		Q.A.	EAS -
.XXX ± .005			
HOLE Ø .XX ± .005			
INTERPRET GEOMETRIC TOLERANCING PER: ASME Y14.5M			
MATERIAL		PERP	± .003/IN
		STRAIGHTNESS	— .005/IN
		FLATNESS	▭ .005/IN
FINISH		THREADS:	
		EXTERNAL - CLASS 2A	
		INTERNAL - CLASS 2B	
		MACHINED SURFACES: √ U.O.S	
NEXT ASSY	USED ON		
APPLICATION	DO NOT SCALE DRAWING		

TITLE: ASSEMBLY, CHILLER, FM240CW, 47.50L X 26W X 24.50H

PART NO. 20068-001

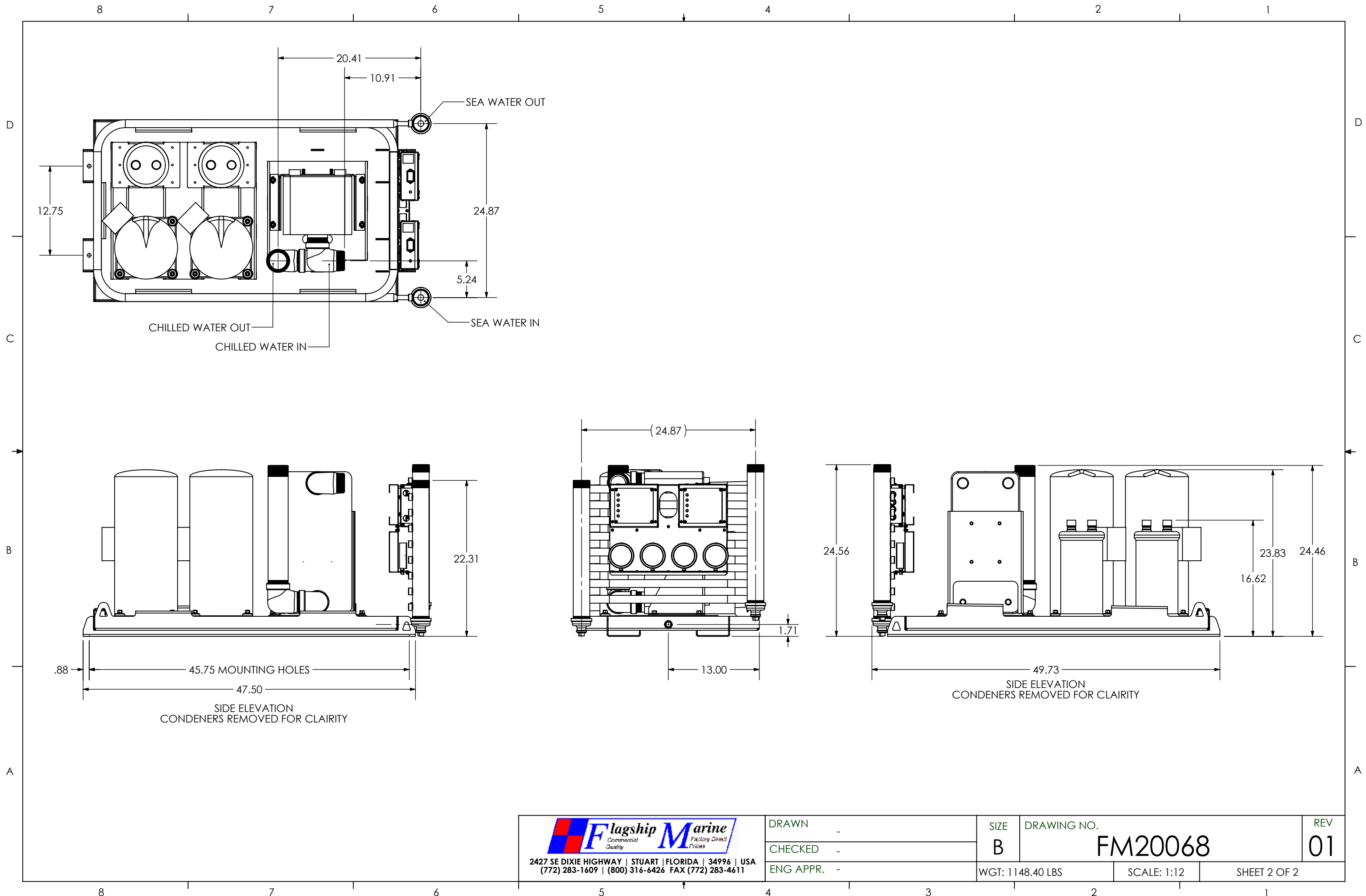
SIZE B **DWG. NO.** FM20068 **REV** 01

OLD PART NO. -

SCALE: 1:8 **WGT:** 1148.40 LBS **SHEET** 1 OF 2

2. PREFERRED LIMITS AND FITS PER ANSI B4.1 (INCHES).
 1. DIMENSIONING & TOLERANCING PER ASME Y14.5M.

NOTES:



Flagship Marine
 Commercial Quality Factory Direct Prices
 2427 SE DIXIE HIGHWAY | STUART | FLORIDA | 34996 | USA
 (772) 283-1609 | (800) 316-6426 FAX (772) 283-4611

DRAWN -	SIZE B	DRAWING NO. FM20068	REV 01
CHECKED -	WGT: 1148.40 LBS	SCALE: 1:12	SHEET 2 OF 2
ENG APPR. -			