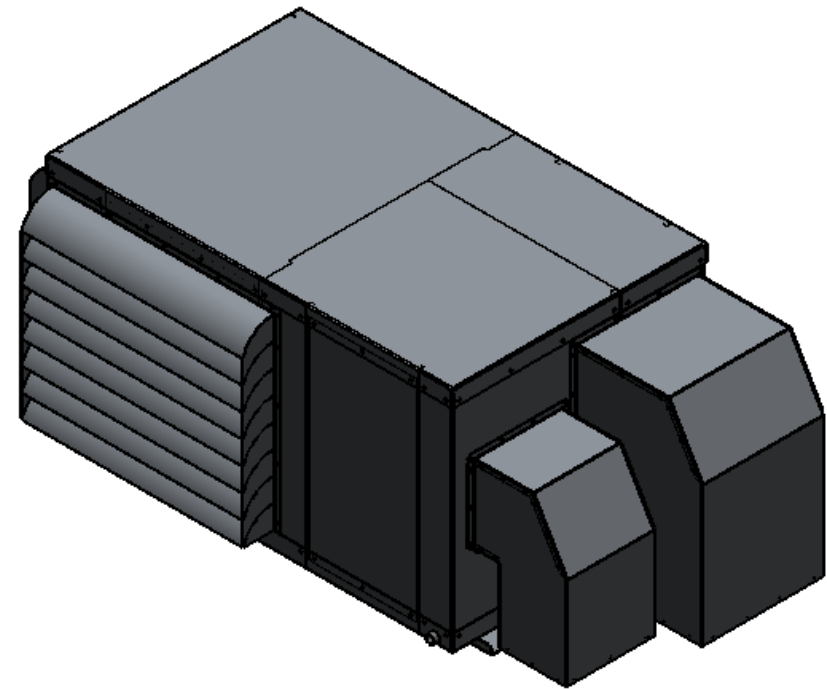


PART NUMBER		DESCRIPTION		FLAGSHIP MARINE, INC.				
20099-001	ASSEMBLY, SELF CONTAINED, AIR COOLED, FM36AC			REV.	ZONE	DESCRIPTION	DATE	ENG APPROVAL
20099-011	ASSEMBLY, SELF CONTAINED, AIR COOLED, FM36AC, WITH OPTIONAL HEAT			01	-	INITIAL CHECK-IN	6/8/2011	-



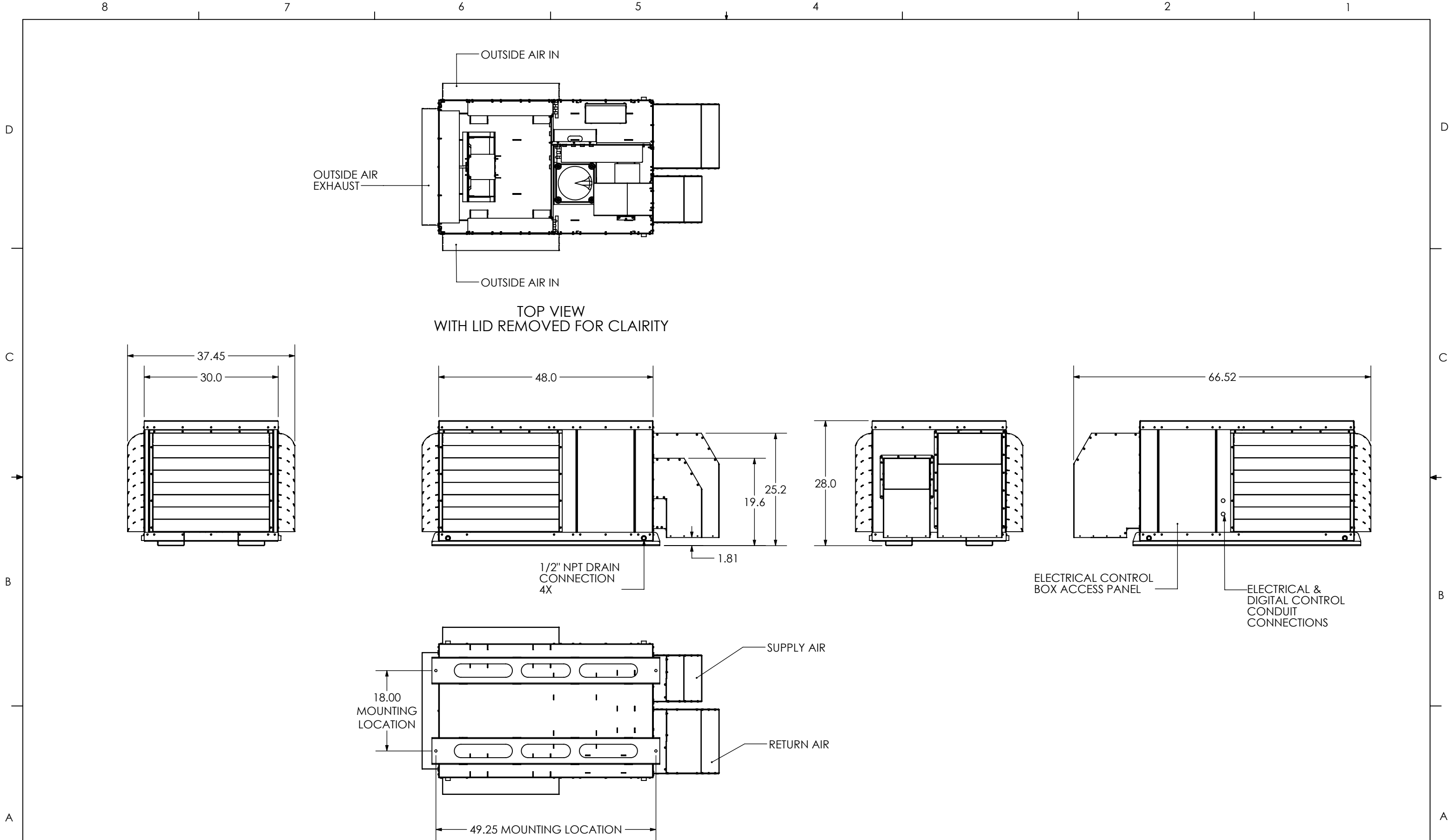
41	ZR38K5-PFV-800	COMPRESSOR, 1PH, 60 Hz, 208-230V	1	1
40	80163-001	WELDMENT, BASE, SELF CONTAINED, AIR COOLED, FM36AC	1	1
39	80156-001	WELDMENT, SHROUD PANEL, FAN, SELF CONTAINED, AIR COOLED, FM48AC & FM60AC	1	1
38	80059-001	WELDMENT, PANEL, LOUVER, SELF CONTAINED, AIR COOLED, UNIVERSAL	3	3
37	70535-001	FABRICATION, SUPPORT, BLOWER, SELF CONTAINED, AIR COOLED, UNIVERSAL	2	2
36	70534-001	FABRICATION, PLENUM, RETURN AIR, SELF CONTAINED, AIR COOLED, FM36AC	1	1
35	70533-001	FABRICATION, PLENUM, SUPPLY AIR, SELF CONTAINED, AIR COOLED, FM36AC	1	1
34	70532-001	FABRICATION, PANEL, BIVECTOR, EVAPORATOR, SELF CONTAINED, AIR COOLED, FM36AC	1	1
33	70531-001	FABRICATION, PANEL, CORNER, RETURN AIR, SELF CONTAINED, AIR COOLED, FM36AC	1	1
32	70530-101	FABRICATION, BRACKET, BLOWER 1TDU2, SELF CONTAINED, AIR COOLED, UNIVERSAL	2	2
31	70530-001	FABRICATION, BRACKET, BLOWER 1TDU2, SELF CONTAINED, AIR COOLED, UNIVERSAL	2	2
30	70529-001	FABRICATION, PANEL, BIVECTOR, SELF CONTAINED, AIR COOLED, FM36AC	1	1
29	70528-001	FABRICATION, PANEL, CORNER, BLOWER, SELF CONTAINED, AIR COOLED, FM36AC	1	1
28	70527-002	FABRICATION, PANEL, CENTER, SELF CONTAINED, AIR COOLED, FM36AC	1	1
27	70527-001	FABRICATION, PANEL, CENTER, SELF CONTAINED, AIR COOLED, FM36AC	1	1
26	70525-002	FABRICATION, PANEL, CLOSEOUT, SELF CONTAINED, AIR COOLED, FM36AC	1	1
25	70525-001	FABRICATION, PANEL, CLOSEOUT, SELF CONTAINED, AIR COOLED, FM36AC	1	1
24	70524-001	FABRICATION, PANEL, ACCESS, SELF CONTAINED, AIR COOLED, FM36AC	2	2
23	70523-002	FABRICATION, PANEL, CORNER, SELF CONTAINED, AIR COOLED, FM36AC	1	1
22	70523-001	FABRICATION, PANEL, CORNER, SELF CONTAINED, AIR COOLED, FM36AC	1	1
21	70521-001	FABRICATION, LID, SELF CONTAINED, AIR COOLED, FM36AC	1	1
20	70140-001	FABRICATION, MOTOR MOUNT, AIR HANDLER	1	1
19	70139-001	FABRICATION, LID, ENCLOSURE, HEATER COIL, AIR CONDITIONER, FM24R - FM60R	-	1
18	70138-001	FABRICATION, ENCLOSURE, HEATER COIL, AIR CONDITIONER, FM24R - FM60R	-	1
17	60216-001	EVAPORATOR, 36000 MBTU, 17.50HX18.13W, 3 ROW	3	3
16	60131-001	GROMMET, 11/16" PUSH-IN LOCKING, NYLON	11	12
15	60071-001	STANDOFF, .385 ID X 1.406 OD X 1.00 THK, 70 DURO EPDM BLACK	4	4
14	60070-001	WASHER, .385 ID X 1.406 OD X .25 THK, 60 DURO EPDM BLACK	4	4
13	60062-001	THERMAL LIMIT SWITCH, 130 DEGREE	-	1
12	60060-001	THERMAL LIMIT SWITCH, 110 DEGREE	-	1
11	60035-001	HEATER ELEMENT, COIL, 74"L, 8MM, 4000W, 230VAC, DBL END THRD BULKHEAD	-	1
10	60029-001	MOTOR, FAN, PSC, 3/4 HP, 1075, 460V, 48YZ, TEAO	1	1
9	60012-001	BLOWER, PSC, FORWARD CURVE, DIRECT DRIVE, WHEEL DIA 8 1/4"	1	1
8	4C903	FAN BLADE, 24IN DIA., 6360 CFM, 3/4 HP, PITCH 27 DEGREES	1	1
7	37NWLOS	3/8 LOCK WASHER SS	4	4
6	37N125WFES	3/8 X 1-1/4 FENDER WASHER SS	4	4
5	37CNFHS	3/8 HEX FINISH NUT SS	4	4
4	20035-001	ASSEMBLY, CONTROL BOX, SELF CONTAINED, AIR COOLED, UNIVERSAL	1	1
3	1131943	#8-18 X 1/2" HWH #3 PT SELF DRILLING SCREW, 410 SS	219	224
2	72396	#8-32 x 3/8" PHMS 18-8 SS	-	4
1	41424	RIVET 3/16" DIA .062-.125" GRIP RANGE, SSB62S STAINLESS	54	54

ITEM NO.	PART NUMBER	DESCRIPTION	20099-001/QTY.	20099-011/QTY.
----------	-------------	-------------	----------------	----------------

FLAGSHIP MARINE, INC. BILL OF MATERIALS

<p>FLAGSHIP MARINE, INC. 2427 SE DIXIE HIGHWAY STUART FLORIDA 34996 USA (772) 283-1609 (800) 316-6426 FAX (772) 283-4611</p> <p>PROPRIETARY AND CONFIDENTIAL</p> <p>THIS DOCUMENT CONTAINS INFORMATION PROPRIETARY TO FLAGSHIP MARINE, INC. NO PART MAY BE REPRODUCED, USED IN ANY FORM, OR STORED ELECTRONICALLY WITHOUT THE WRITTEN PERMISSION OF FLAGSHIP MARINE, INC.</p>	-	-	UNLESS OTHERWISE SPECIFIED: DIMENSIONS ARE IN INCHES TOLERANCES: FRACTIONS ± 1/32 ANG: MACH ± 0°30' BEND ± 2° DECIMALS .XX ± .01 .XXX ± .005 HOLE Ø .XX ± .005	DRAWN	SWC	10/16/2009	<p>TITLE: ASSEMBLY, SELF CONTAINED, AIR COOLED, FM36AC</p> <p>PART NO. 20099-0XX</p> <p>SIZE DWG. NO. REV B FM20099 01</p> <p>OLD PART NO. -</p> <p>SCALE: 1:16 WGT: 823.96 LBS SHEET 1 OF 2</p>	
	-	-	INTERPRET GEOMETRIC TOLERANCING PER: ASME Y14.5M	CHECKED	TCM	-		
	-	-	MATERIAL	ENG APPR.	TCM	-		
	-	-	FINISH	MFG APPR.	TCM	-		
PERP STRAIGHTNESS	∟	.003/IN	Q.A.	EAS	-	FLATNESS	≡	.005/IN
THREADS:			EXTERNAL - CLASS 2A			INTERNAL - CLASS 2B		63/ U.O.S
MACHINED SURFACES:	✓							
NEXT ASSY		USED ON						
APPLICATION			DO NOT SCALE DRAWING					

2. PREFERRED LIMITS AND FITS PER ANSI B4.1 (INCHES).
1. DIMENSIONING & TOLERANCING PER ASME Y14.5M.
NOTES:




Flagship Marine
 Commercial Quality Factory Direct Prices
 2427 SE DIXIE HIGHWAY | STUART | FLORIDA | 34996 | USA
 (772) 283-1609 | (800) 316-6426 FAX (772) 283-4611

DRAWN -	SIZE B	DRAWING NO. FM20099	REV 01
CHECKED -	WGT: 821.63 LBS	SCALE: 1:20	SHEET 2 OF 2
ENG APPR. -			