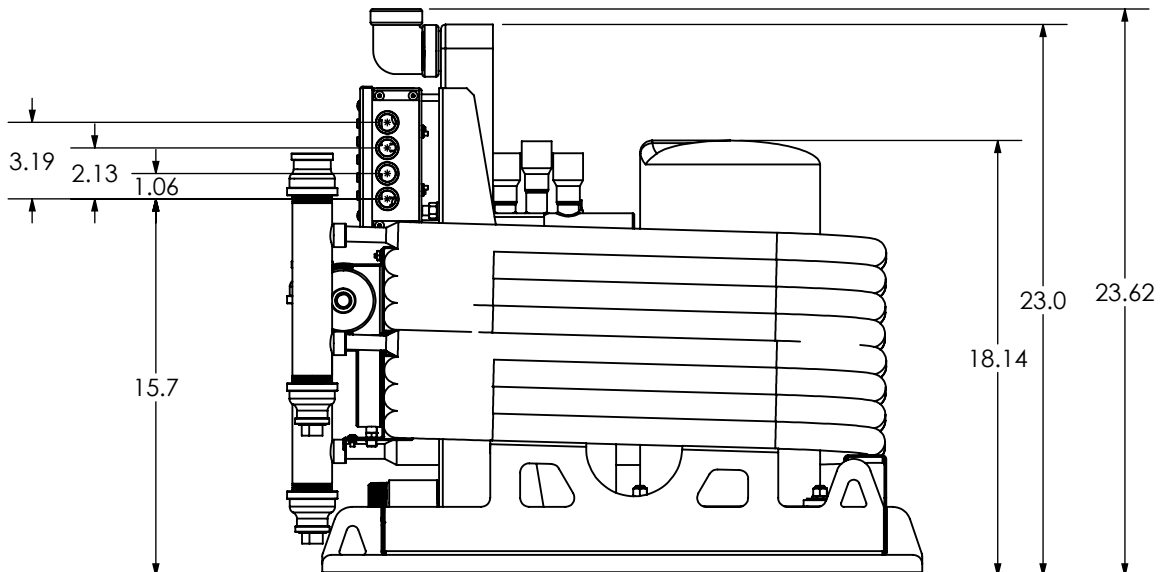
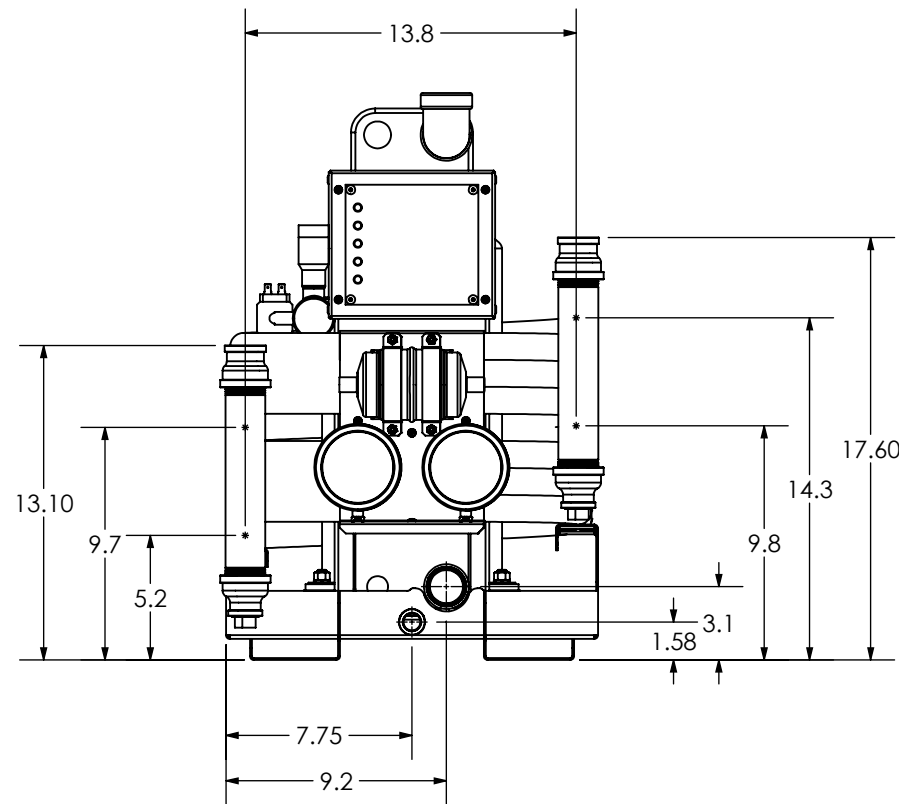
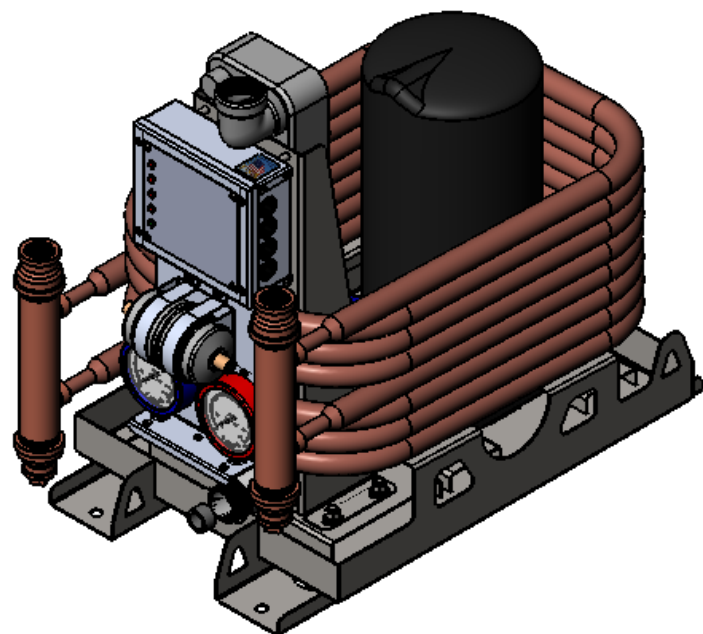
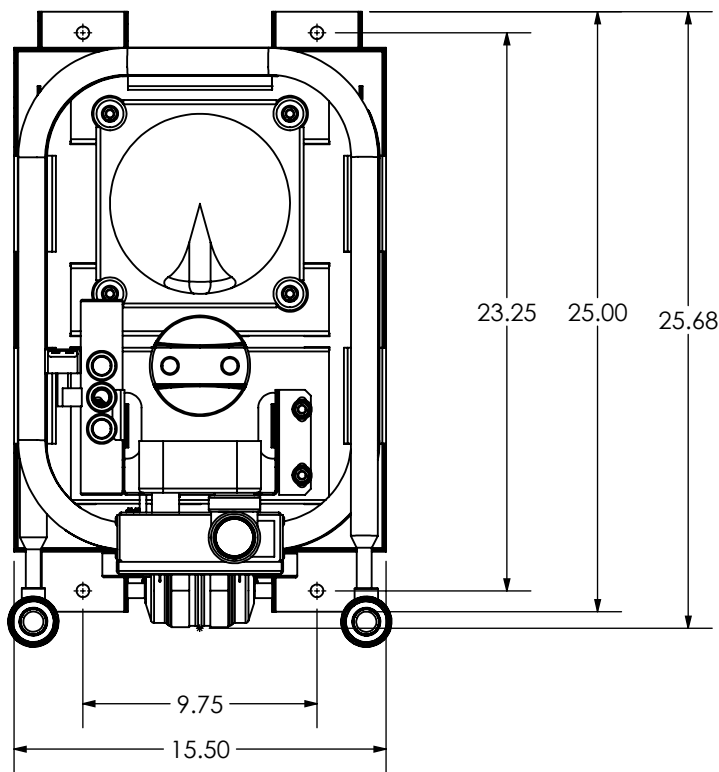


FLAGSHIP MARINE, INC.				
REV.	ZONE	DESCRIPTION	DATE	ENG APPROVAL



2. PREFERRED LIMITS AND FITS PER ANSI B4.1 (INCHES).
 1. DIMENSIONING & TOLERANCING PER ASME Y14.5M.

NOTES:

Flagship Marine
 Components
 Quality Direct
 Flagship

FLAGSHIP MARINE, INC.
 2427 SE DIXIE HIGHWAY
 STUART | FLORIDA | 34996 | USA
 (772) 283-1609 | (800) 316-6426
 FAX (772) 283-4611

PROPRIETARY AND CONFIDENTIAL
 THIS DOCUMENT CONTAINS INFORMATION
 PROPRIETARY TO **FLAGSHIP
 MARINE, INC.** NO PART MAY BE
 REPRODUCED, USED IN ANY FORM,
 OR STORED ELECTRONICALLY
 WITHOUT THE WRITTEN PERMISSION OF
FLAGSHIP MARINE, INC.

UNLESS OTHERWISE SPECIFIED:	
DIMENSIONS ARE IN INCHES	
TOLERANCES:	
FRACTIONS $\pm 1/32$	
ANG: MACH $\pm 0^{\circ}30'$ BEND $\pm 2^{\circ}$	
DECIMALS .XX $\pm .01$	
.XXX $\pm .005$	
HOLE ϕ .XX $\pm .005$	
INTERPRET GEOMETRIC TOLERANCING PER: ASME Y14.5M	
MATERIAL	
FINISH	
NEXT ASSY	USED ON
APPLICATION	DO NOT SCALE DRAWING

	NAME	DATE
DRAWN	SWC	2/4/2011
CHECKED	TCM	-
ENG APPR.	TCM	-
MFG APPR.	TCM	-
Q.A.	EAS	-

TITLE: ASSEMBLY, CHILLER, FM36CW, 25L X 15.50W X 23H		
PART NO. 20062-001		
SIZE	DWG. NO.	REV
B	FM20062	-
OLD PART NO. -		
SCALE: 1:8	WGT: 272.01 LBS	SHEET 1 OF 1