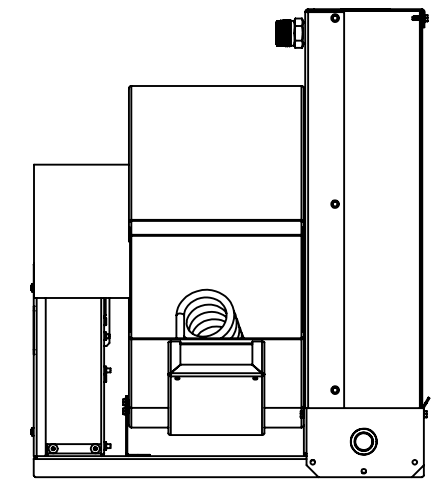
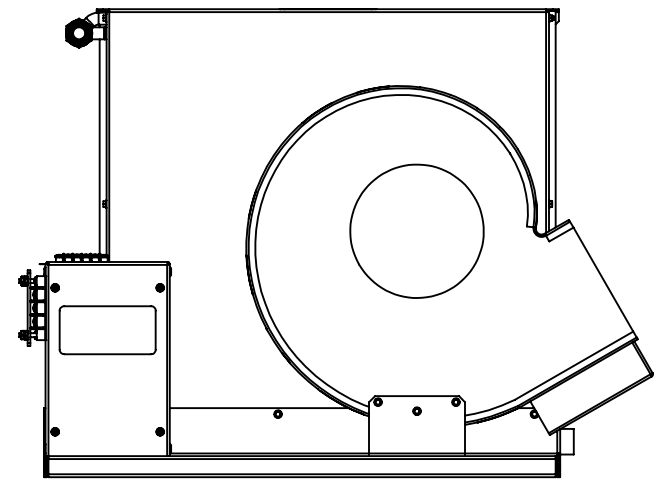
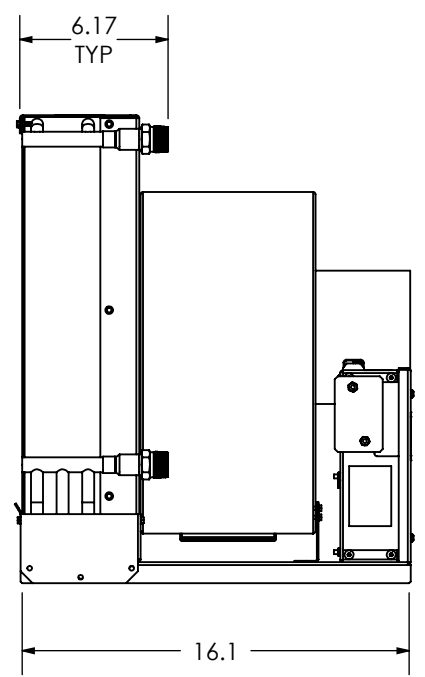
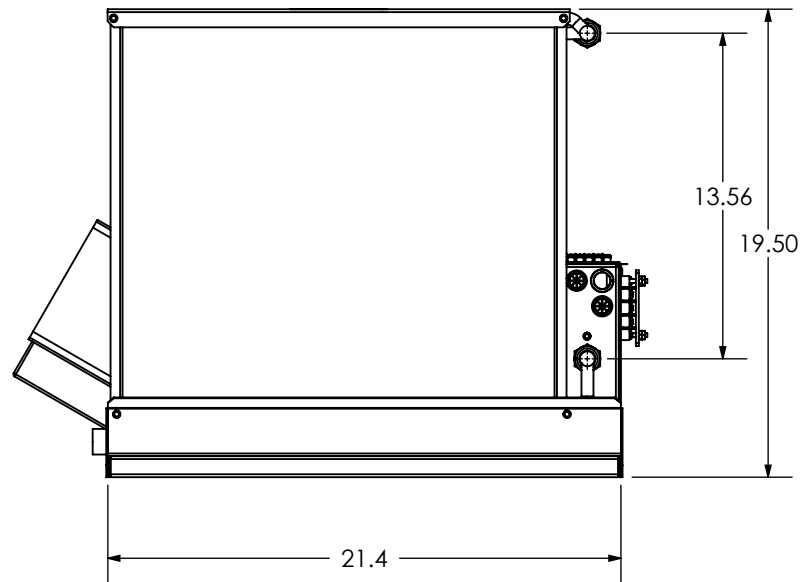
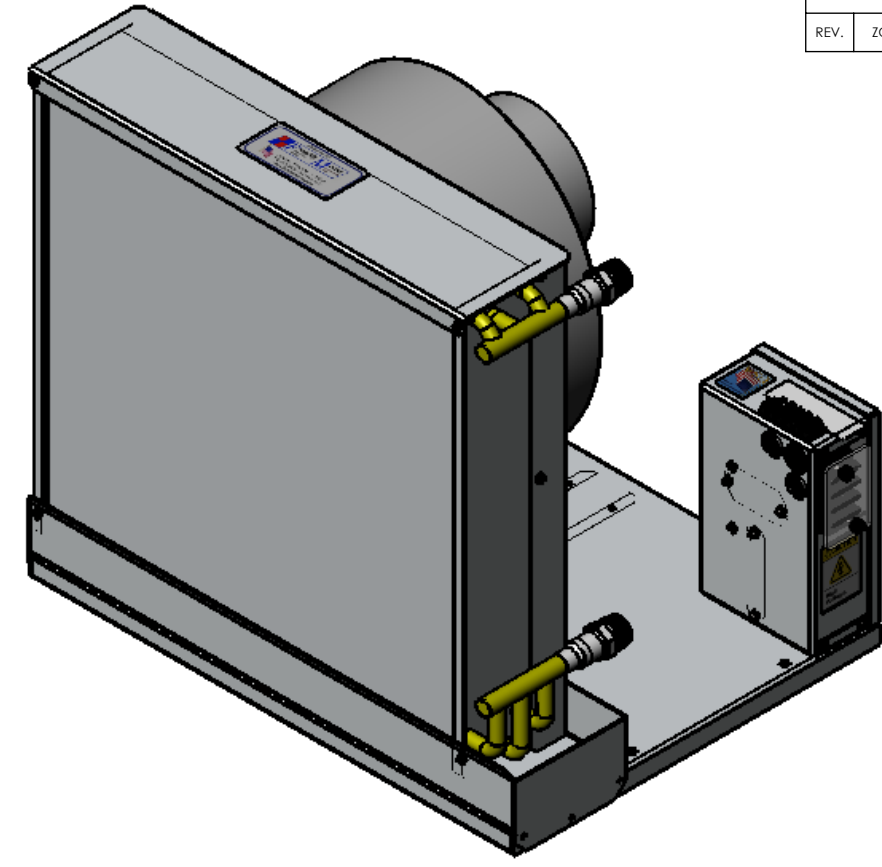
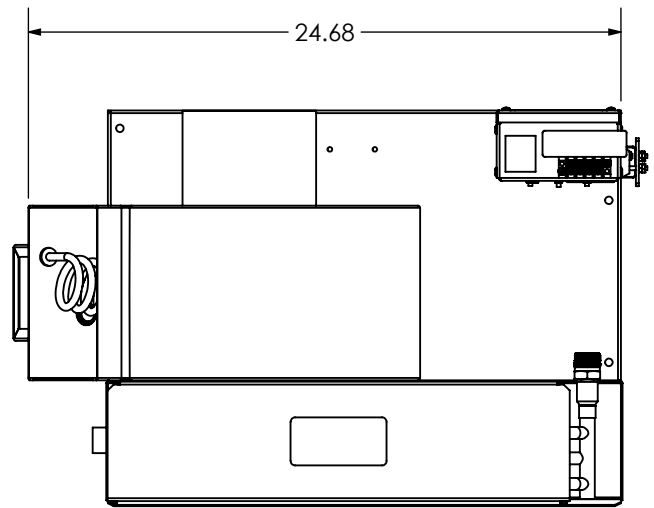


| FLAGSHIP MARINE, INC. | | | | |
|-----------------------|------|-------------|------|--------------|
| REV. | ZONE | DESCRIPTION | DATE | ENG APPROVAL |
| | | | | |



2. PREFERRED LIMITS AND FITS PER ANSI B4.1 (INCHES).
 1. DIMENSIONING & TOLERANCING PER ASME Y14.5M.

NOTES:

Flagship Marine
 FLAGSHIP MARINE, INC.
 2427 SE DIXIE HIGHWAY
 STUART | FLORIDA | 34996 | USA
 (772) 283-1609 | (800) 319-6426
 FAX (772) 283-4611

PROPRIETARY AND CONFIDENTIAL
 THIS DOCUMENT CONTAINS INFORMATION PROPRIETARY TO FLAGSHIP MARINE, INC. NO PART MAY BE REPRODUCED, USED IN ANY FORM, OR STORED ELECTRONICALLY WITHOUT THE WRITTEN PERMISSION OF FLAGSHIP MARINE, INC.

| | | | |
|--|---------|----------------------|--|
| UNLESS OTHERWISE SPECIFIED: | | | |
| DIMENSIONS ARE IN INCHES | | | |
| TOLERANCES: | | | |
| FRACTIONS ± 1/32 | | | |
| ANG: MACH ± 0°30' BEND ± 2° | | | |
| DECIMALS .XX ± .01 | | | |
| .XXX ± .005 | | | |
| HOLE Ø .XX ± .005 | | | |
| INTERPRET GEOMETRIC TOLERANCING PER: ASME Y14.5M | | | |
| MATERIAL | | | |
| FINISH | | | |
| NEXT ASSY | USED ON | | |
| APPLICATION | | DO NOT SCALE DRAWING | |

| | | |
|---------------------|-----------|-----------|
| | NAME | DATE |
| DRAWN | SWC | 4/29/2009 |
| CHECKED | TCM | - |
| ENG APPR. | TCM | - |
| MFG APPR. | TCM | - |
| Q.A. | EAS | - |
| PERP STRAIGHTNESS | ± .003/IN | |
| FLATNESS | ± .005/IN | |
| THREADS: | | |
| EXTERNAL - CLASS 2A | | |
| INTERNAL - CLASS 2B | | |
| MACHINED SURFACES: | √ U.O.S | |

TITLE: ASSEMBLY, CHILLED WATER, FAN COIL, FM36CWFC

PART NO. 20082-001

SIZE DWG. NO. REV
B FM20082 -

OLD PART NO. -

SCALE: 1:8 WGT: 112.03 LBS SHEET 1 OF 1