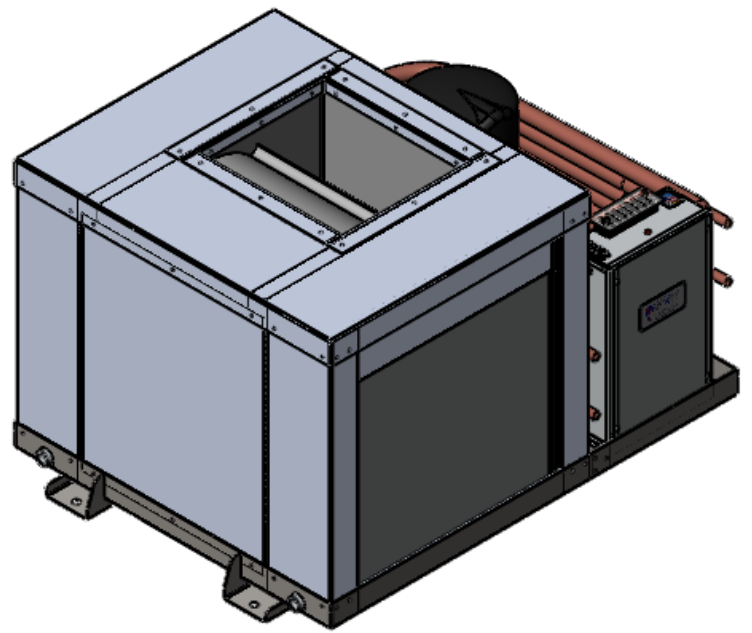
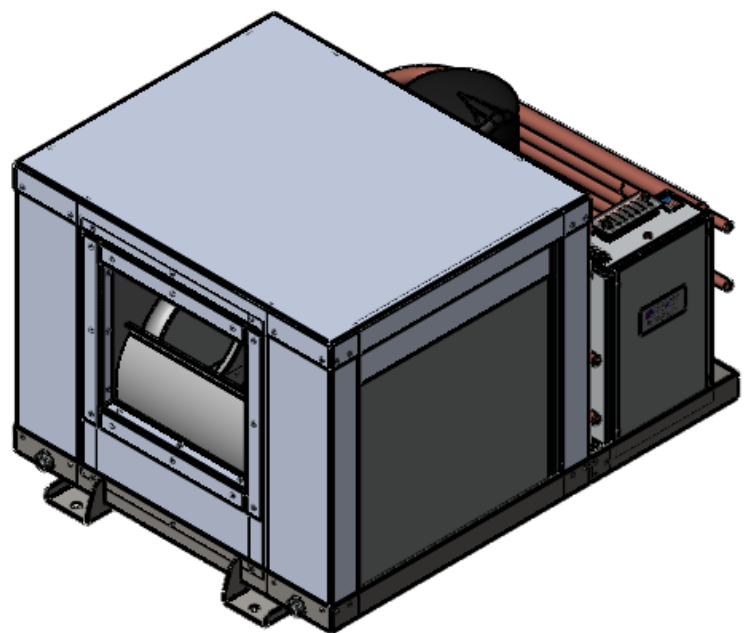


FLAGSHIP MARINE, INC.				
REV.	ZONE	DESCRIPTION	DATE	ENG APPROVAL
01	-	INITIAL CHECK-IN	2/17/2011	-



20048-001
ASSEMBLY, AIR CONDITIONER FM48S, 39L X 28W X 23H, TOP



20048-002
ASSEMBLY, AIR CONDITIONER FM48S, 39L X 28W X 23H, SIDE

2. PREFERRED LIMITS AND FITS PER ANSI B4.1 (INCHES).
1. DIMENSIONING & TOLERANCING PER ASME Y14.5M.
NOTES:

ITEM NO.	PART NUMBER	DESCRIPTION	20048-001/QTY.	20048-002/QTY.
20	70155-001	FABRICATION, LID, AIR CONDITIONER, FM48S	-	1
19	80057-001	WELDMENT, PANEL, ACCESS, AIR CONDITIONER, FM48S	-	1
18	80056-001	WELDMENT, LID, AIR CONDITIONER, FM48S	1	-
17	70158-001	FABRICATION, PANEL, CLOSE OUT, AIR CONDITIONER, FM48S	2	2
16	70067-102	FABRICATION, BRACKET, BLOWER 1XJY4, AIR HANDLER	2	2
15	70067-002	FABRICATION, BRACKET, BLOWER 1XJY4, AIR HANDLER	2	2
14	60015-001	BLOWER, PSC, FORWARD CURVE, DIRECT DRIVE, WHEEL DIA 11"	1	1
13	70157-001	FABRICATION, PANEL, ACCESS, AIR CONDITIONER, FM48S	2	1
12	ZR42K5-PFV-800	COMPRESSOR, 1PH, 60 Hz, 208V	1	1
11	70156-012	FABRICATION, PANEL, CORNER, AIR CONDITIONER, FM48S	1	1
10	70156-002	FABRICATION, PANEL, CORNER, AIR CONDITIONER, FM48S	1	1
9	70156-001	FABRICATION, PANEL, CORNER, AIR CONDITIONER, FM48S	2	2
8	80053-001	WELDMENT, DRAIN PAN, EVAPORATOR, FMAC60S-H	2	2
7	80052-001	WELDMENT, BASE, AIR CONDITIONER, FM48S/60S-H	1	1
6	70081-002	FABRICATION, BRACKET, BLOWER, AIR CONDITIONER, FMAC60/120/180S0H	-	2
6	70081-001	FABRICATION, BRACKET, BLOWER, AIR CONDITIONER, FMAC60/120/180S0H	2	-
5	70075-001	FABRICATION, BRACKET, WATER COIL, FMAC60/120/180S-H	1	1
4	60215-001	EVAPORATOR, 24000 MBTU, 16HX17W, 3 ROW	2	2
3	60131-001	GROMMET, 11/16" PUSH-IN LOCKING, NYLON	3	3
2	50011-001	FABRICATION, TUBING, AIR CONDITIONER, FM60S-H	2	2
1	20016-001	ASSEMBLY, CONTROL BOX, SELF CONTAINED, A/C, 48K-120K UNIVERSAL	1	1

FLAGSHIP MARINE, INC. BILL OF MATERIALS

Flagship Marine
CORPORATION
EST. 1982

FLAGSHIP MARINE, INC.
2427 SE DIXIE HIGHWAY
STUART | FLORIDA | 34996 | USA
(772) 283-1609 | (800) 319-6426
FAX (772) 283-4611

PROPRIETARY AND CONFIDENTIAL
THIS DOCUMENT CONTAINS INFORMATION PROPRIETARY TO FLAGSHIP MARINE, INC. NO PART MAY BE REPRODUCED, USED IN ANY FORM, OR STORED ELECTRONICALLY WITHOUT THE WRITTEN PERMISSION OF FLAGSHIP MARINE, INC.

UNLESS OTHERWISE SPECIFIED:		NAME	DATE
DIMENSIONS ARE IN INCHES		DRAWN	SWC 5/7/2009
TOLERANCES:		CHECKED	TCM -
FRACTIONS ± 1/32		ENG APPR.	TCM -
ANG: MACH ± 0°30' BEND ± 2°		MFG APPR.	TCM -
DECIMALS .XX ± .01		Q.A.	EAS -
.XXX ± .005		PERP STRAIGHTNESS ± .003/IN	
HOLE Ø .XX ± .005		FLATNESS ± .005/IN	
INTERPRET GEOMETRIC TOLERANCING PER: ASME Y14.5M		THREADS:	
MATERIAL		EXTERNAL - CLASS 2A	
FINISH		INTERNAL - CLASS 2B	
NEXT ASSY	USED ON	MACHINED SURFACES: ✓ U.O.S	
APPLICATION		DO NOT SCALE DRAWING	

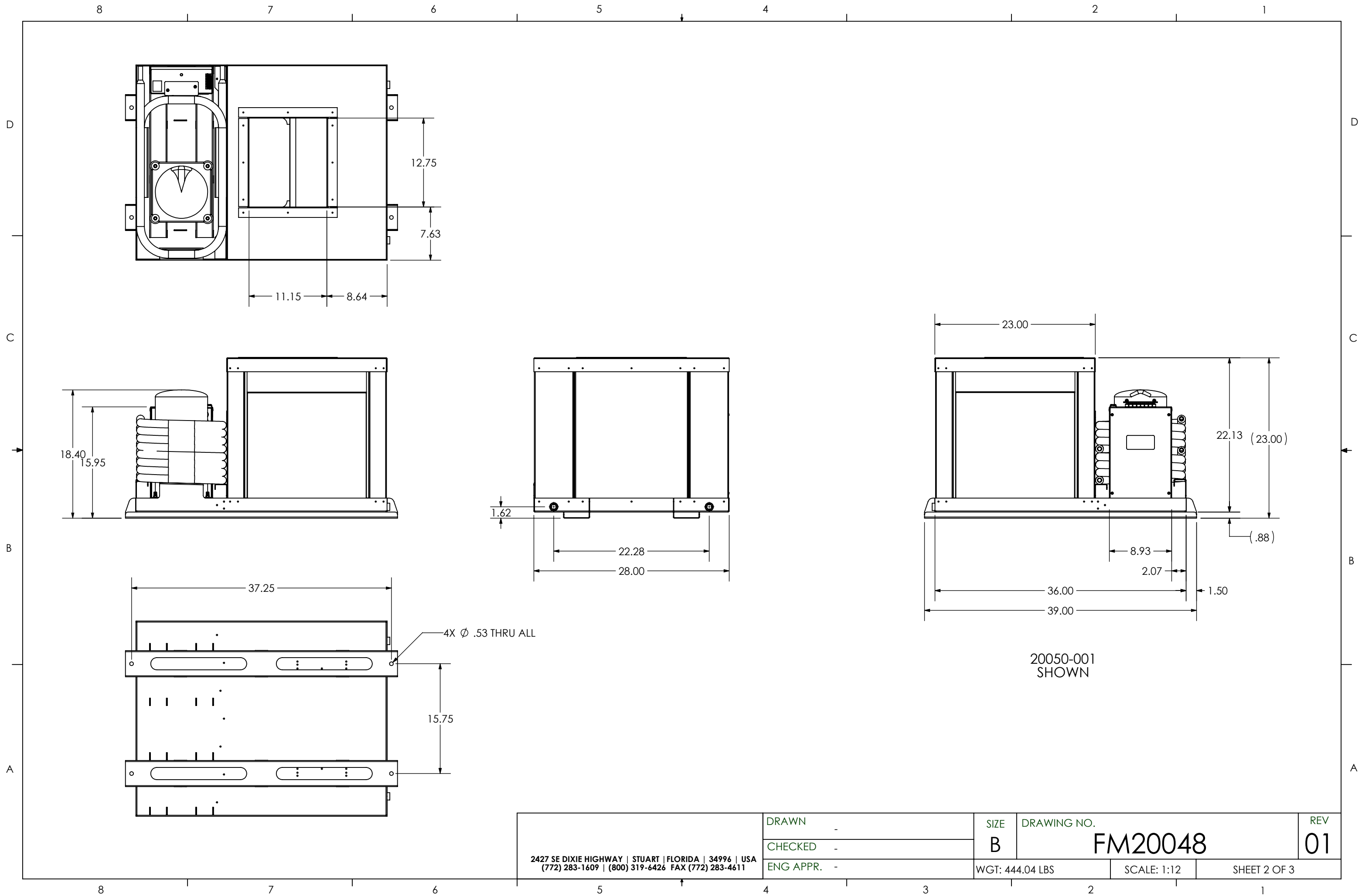
TITLE: ASSEMBLY, AIR CONDITIONER FM48S, 39L X 28W X 23H, TOP

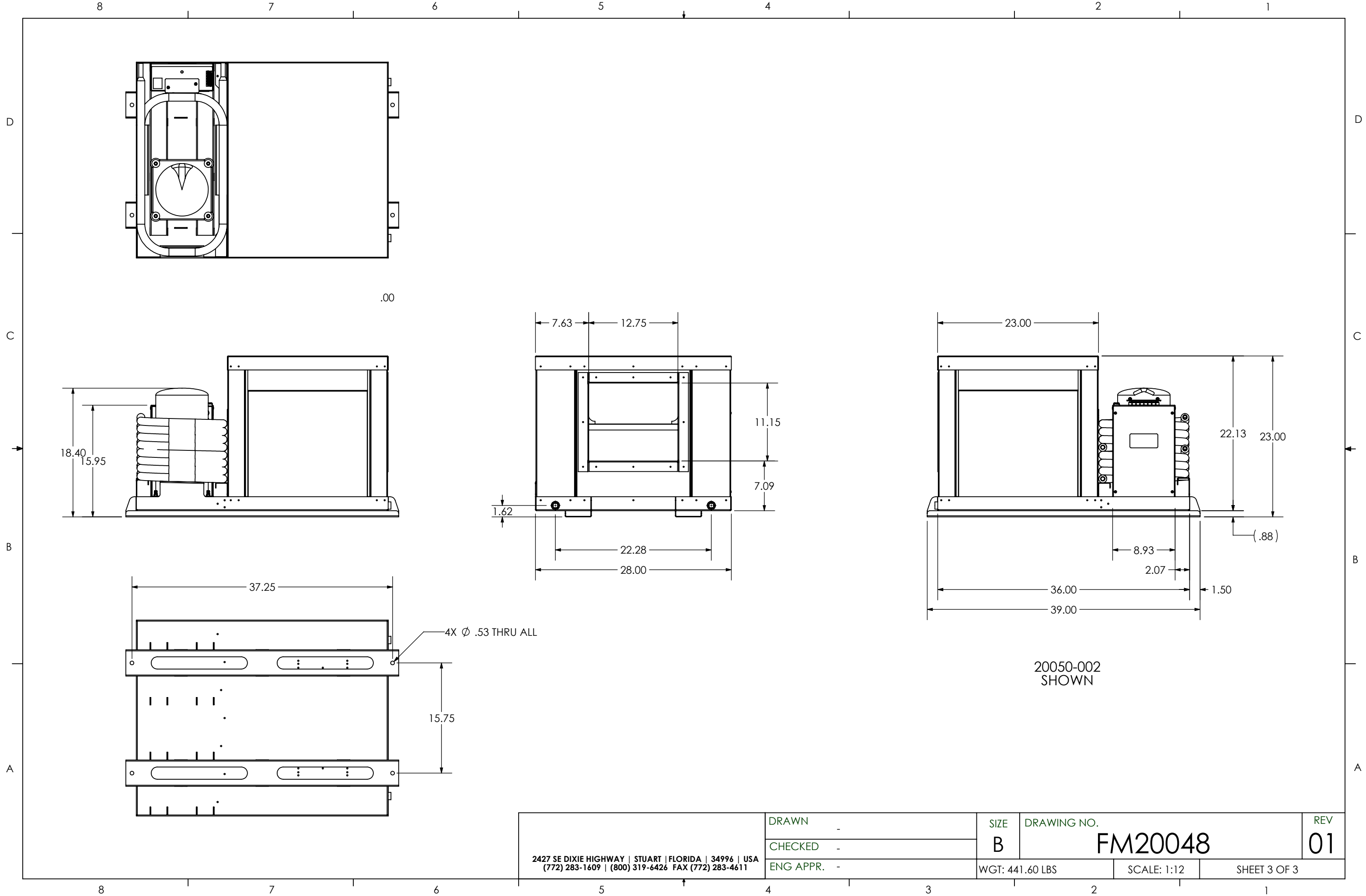
PART NO. 20048-001

SIZE DWG. NO. REV
B FM20048 **01**

OLD PART NO. -

SCALE: 1:12 | WGT: 444.04 LBS | SHEET 1 OF 3





2427 SE DIXIE HIGHWAY STUART FLORIDA 34996 USA (772) 283-1609 (800) 319-6426 FAX (772) 283-4611	DRAWN -	SIZE	DRAWING NO.	REV
	CHECKED -	B	FM20048	01
	ENG APPR. -	WGT: 441.60 LBS	SCALE: 1:12	SHEET 3 OF 3