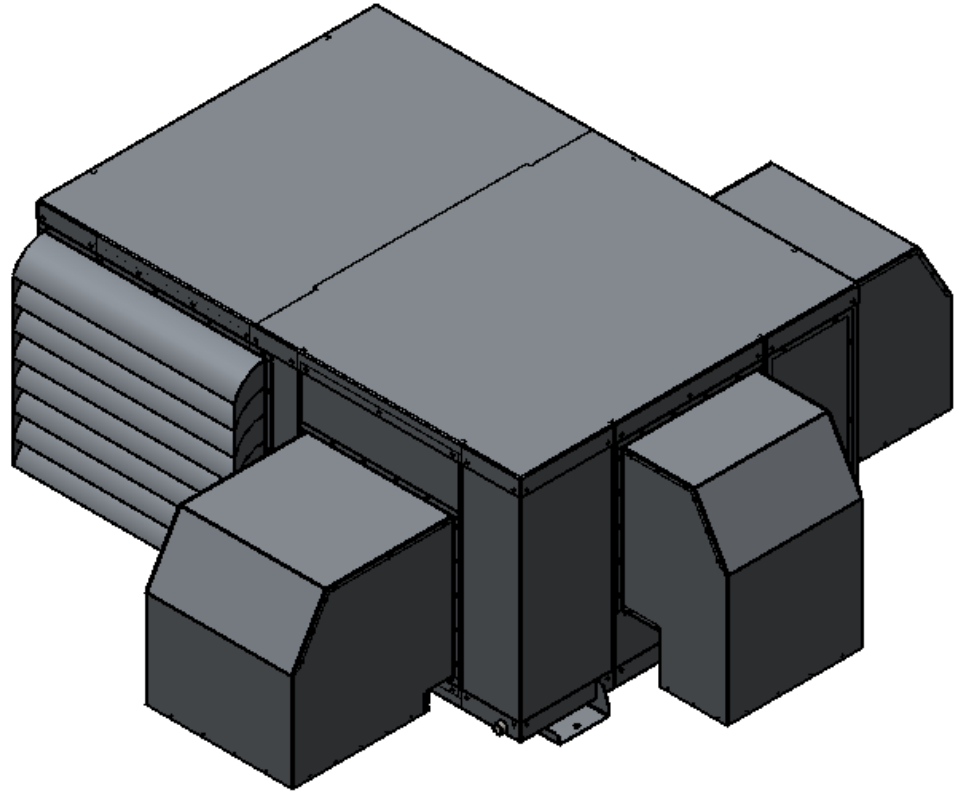


PART NUMBER	DESCRIPTION	FLAGSHIP MARINE, INC.				
		REV.	ZONE	DESCRIPTION	DATE	ENG APPROVAL
20105-001	ASSEMBLY, SELF CONTAINED, AIR COOLED, FM60AC	01	-	INITIAL CHECK-IN	5/17/2011	-
20105-011	ASSEMBLY, SELF CONTAINED, AIR COOLED, FM60AC, WITH OPTIONAL HEAT	02	-	ADDED 2 1/2" NPT DRAINS TO DRY SIDE	5/23/2011	-



41	ZR61K3-PFV-930	COMPRESSOR, 1PH, 60 Hz, 208-230V	1	1
40	80165-001	WELDMENT, BASE, SELF CONTAINED, AIR COOLED, FM60AC	1	1
39	80156-001	WELDMENT, SHROUD PANEL, FAN, SELF CONTAINED, AIR COOLED, FM48AC & FM60AC	1	1
38	80059-001	WELDMENT, PANEL, LOUVER, SELF CONTAINED, AIR COOLED, UNIVERSAL	3	3
37	70564-001	FABRICATION, PLENUM, RETURN AIR, SELF CONTAINED, AIR COOLED, FM60AC	2	2
36	70563-001	FABRICATION, PLENUM, SUPPLY AIR, SELF CONTAINED, AIR COOLED, FM60AC	1	1
35	70561-001	FABRICATION, PANEL, ACCESS, CONTROL BOX, SELF CONTAINED, AIR COOLED, FM60AC	1	1
34	70560-001	FABRICATION, PANEL, BLOWER, SELF CONTAINED, AIR COOLED, FM60AC	1	1
33	70559-001	FABRICATION, PANEL, BIVECTOR, SELF CONTAINED, AIR COOLED, FM60AC	1	1
32	70558-002	FABRICATION, PANEL, CORNER, SELF CONTAINED, AIR COOLED, FM60AC	1	1
31	70558-001	FABRICATION, PANEL, CORNER, SELF CONTAINED, AIR COOLED, FM60AC	1	1
30	70557-002	FABRICATION, PANEL, CENTER, SELF CONTAINED, AIR COOLED, FM60AC	1	1
29	70557-001	FABRICATION, PANEL, CENTER, SELF CONTAINED, AIR COOLED, FM60AC	1	1
28	70555-002	FABRICATION, PANEL, CLOSEOUT, SELF CONTAINED, AIR COOLED, FM60AC	1	1
27	70555-001	FABRICATION, PANEL, CLOSEOUT, SELF CONTAINED, AIR COOLED, FM60AC	1	1
26	70554-001	FABRICATION, PANEL, ACCESS, SELF CONTAINED, AIR COOLED, FM60AC	2	2
25	70553-002	FABRICATION, PANEL, CORNER, SELF CONTAINED, AIR COOLED, FM60AC	1	1
24	70553-001	FABRICATION, PANEL, CORNER, SELF CONTAINED, AIR COOLED, FM60AC	1	1
23	70456-101	FABRICATION, BRACKET, BLOWER 1XJY2, AIR HANDLER	2	2
22	70456-001	FABRICATION, BRACKET, BLOWER 1XJY2, AIR HANDLER	2	2
21	70551-001	FABRICATION, LID, SELF CONTAINED, AIR COOLED, FM60AC	1	1
20	70169-001	FABRICATION, LID, ENCLOSURE, HEATER COIL, AIR CONDITIONER, FM48S - FM180S	-	1
19	70168-001	FABRICATION, ENCLOSURE, HEATER COIL, AIR CONDITIONER, FM48S - FM180S	-	1
18	70140-001	FABRICATION, MOTOR MOUNT, AIR HANDLER	1	1
17	60216-001	EVAPORATOR, 36000 MBTU, 17.50HX18.13W, 3 ROW	6	6
16	60131-001	GROMMET, 11/16" PUSH-IN LOCKING, NYLON	3	4
15	60071-001	STANDOFF, .385 ID X 1.406 OD X 1.00 THK, 70 DURO EPDM BLACK	4	4
14	60070-001	WASHER, .385 ID X 1.406 OD X .25 THK, 60 DURO EPDM BLACK	4	4
13	60062-001	THERMAL LIMIT SWITCH, 130 DEGREE	-	1
12	60060-001	THERMAL LIMIT SWITCH, 110 DEGREE	-	2
11	60035-001	HEATER ELEMENT, COIL, 74"L, 8MM, 4000W, 230VAC, DBL END THRD BULKHEAD	-	2
10	60029-001	MOTOR, FAN, PSC, 3/4 HP, 1075, 460V, 48YZ, TEAO	1	1
9	60014-001	BLOWER, PSC, FORWARD CURVE, DIRECT DRIVE, WHEEL DIA 13"	1	1
8	4C903	FAN BLADE, 24IN DIA., 6360 CFM, 3/4 HP, PITCH 27 DEGREES	1	1
7	37NWLOS	3/8 LOCK WASHER SS	4	4
6	37N125WFES	3/8 X 1-1/4 FENDER WASHER SS	4	4
5	37CNFHS	3/8 HEX FINISH NUT SS	4	4
4	20035-001	ASSEMBLY, CONTROL BOX, SELF CONTAINED, AIR COOLED, UNIVERSAL	1	1
3	1131943	#8-18 X 1/2" HWH #3 PT SELF DRILLING SCREW, 410 SS	251	261
2	72396	#8-32 x 3/8" PHMS 18-8 SS	10	14
1	41424	RIVET 3/16" DIA .062-.125" GRIP RANGE, SSB62S STAINLESS	65	65

ITEM NO.	PART NUMBER	DESCRIPTION	20105-001/QTY.	20105-011/QTY.
----------	-------------	-------------	----------------	----------------

**FLAGSHIP MARINE, INC. BILL OF MATERIALS**

**FLAGSHIP MARINE, INC.**  
 2427 SE DIXIE HIGHWAY  
 STUART | FLORIDA | 34996 | USA  
 (772) 283-1609 | (800) 316-6426  
 FAX (772) 283-4611

**PROPRIETARY AND CONFIDENTIAL**  
 THIS DOCUMENT CONTAINS INFORMATION PROPRIETARY TO FLAGSHIP MARINE, INC. NO PART MAY BE REPRODUCED, USED IN ANY FORM, OR STORED ELECTRONICALLY WITHOUT THE WRITTEN PERMISSION OF FLAGSHIP MARINE, INC.

UNLESS OTHERWISE SPECIFIED:		NAME	DATE
DIMENSIONS ARE IN INCHES		DRAWN	SWC 10/16/2009
TOLERANCES:		CHECKED	TCM -
FRACTIONS ± 1/32		ENG APPR.	TCM -
ANG: MACH ± 0°30' BEND ± 2°		MFG APPR.	TCM -
DECIMALS .XX ± .01		Q.A.	EAS -
.XXX ± .005		PERP STRAIGHTNESS ± .003/IN	
HOLE Ø .XX ± .005		FLATNESS ± .005/IN	
INTERPRET GEOMETRIC TOLERANCING PER: ASME Y14.5M		THREADS: EXTERNAL - CLASS 2A	
MATERIAL		INTERNAL - CLASS 2B	
FINISH		MACHINED SURFACES: ✓ U.O.S	
NEXT ASSY	USED ON		
APPLICATION		DO NOT SCALE DRAWING	

TITLE: **ASSEMBLY, SELF CONTAINED, AIR COOLED, FM60AC**

PART NO. **20105-0XX**

SIZE **B** DWG. NO. **FM20105** REV **02**

OLD PART NO. -

SCALE: 1:16 | WGT: 1250.52 LBS | SHEET 1 OF 2

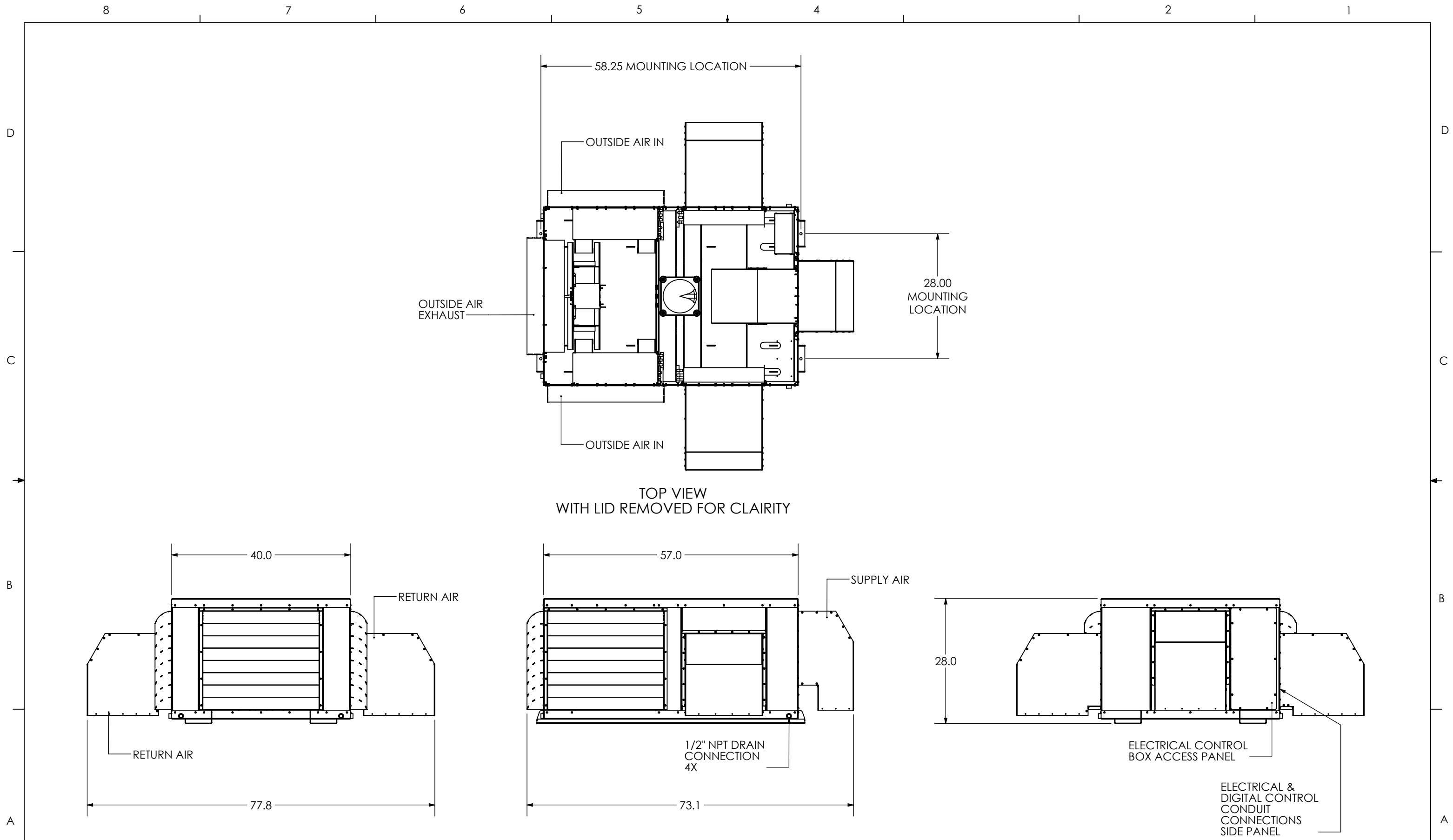
2. PREFERRED LIMITS AND FITS PER ANSI B4.1 (INCHES).  
 1. DIMENSIONING & TOLERANCING PER ASME Y14.5M.  
 NOTES:

D  
C  
B  
A

D  
C  
B  
A

8 7 6 5 4 3 2 1

8 7 6 5 4 3 2 1



**Flagship Marine**  
 Commercial Quality Factory Direct Prices  
 2427 SE DIXIE HIGHWAY | STUART | FLORIDA | 34996 | USA  
 (772) 283-1609 | (800) 316-6426 FAX (772) 283-4611

DRAWN -	SIZE B	DRAWING NO. FM20105	REV 02
CHECKED -	WGT: 1250.52 LBS	SCALE: 1:20	SHEET 2 OF 2
ENG APPR. -			