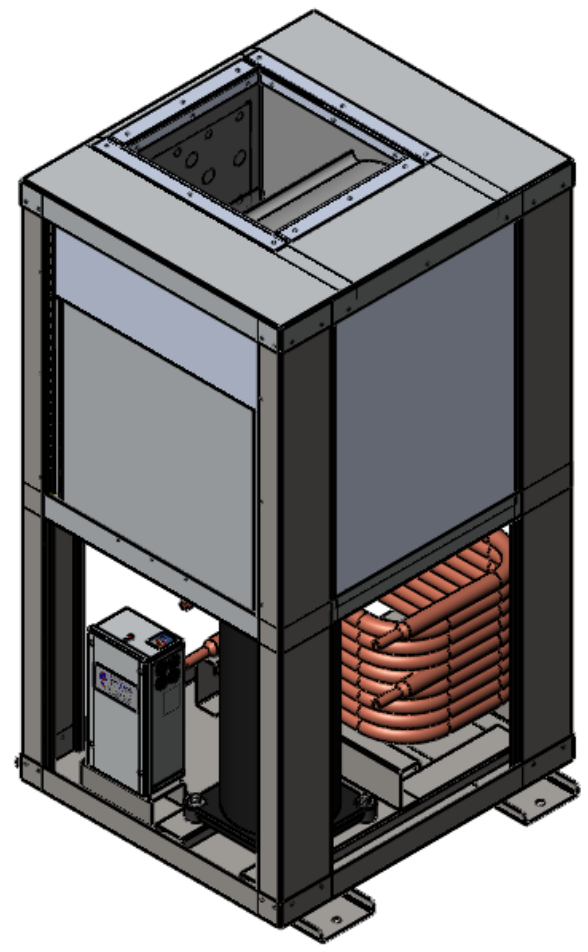
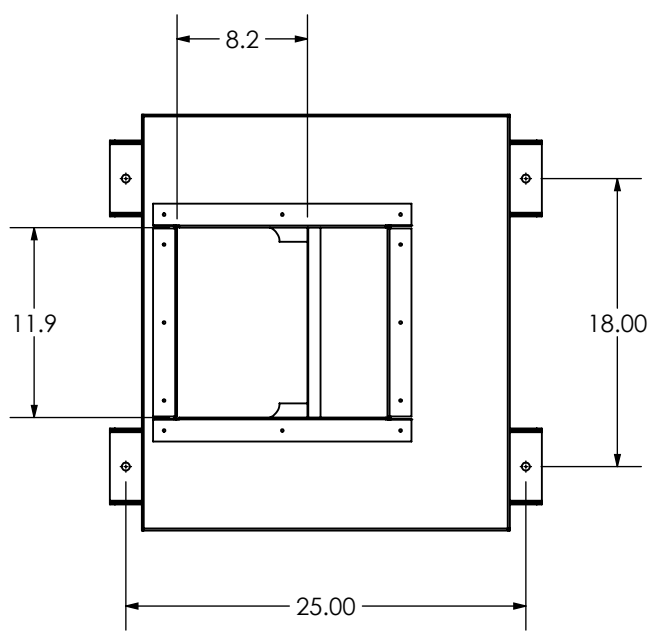
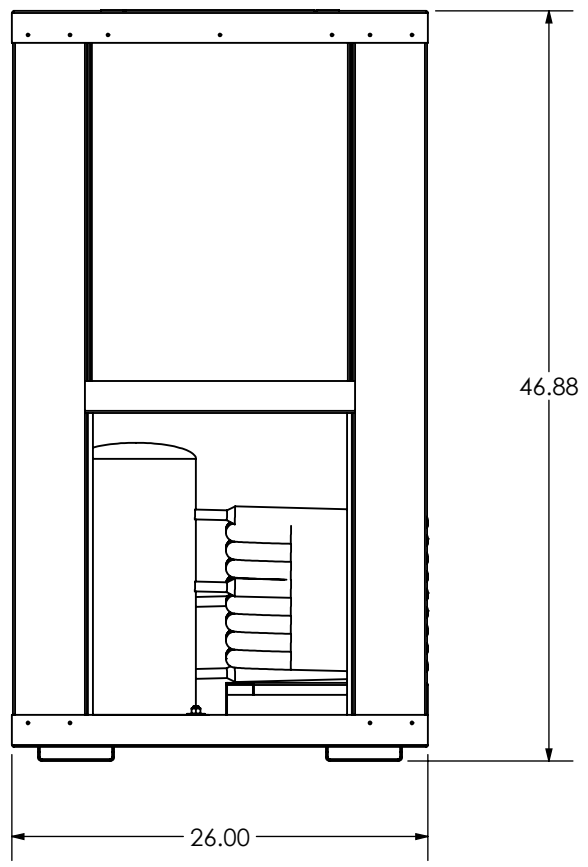
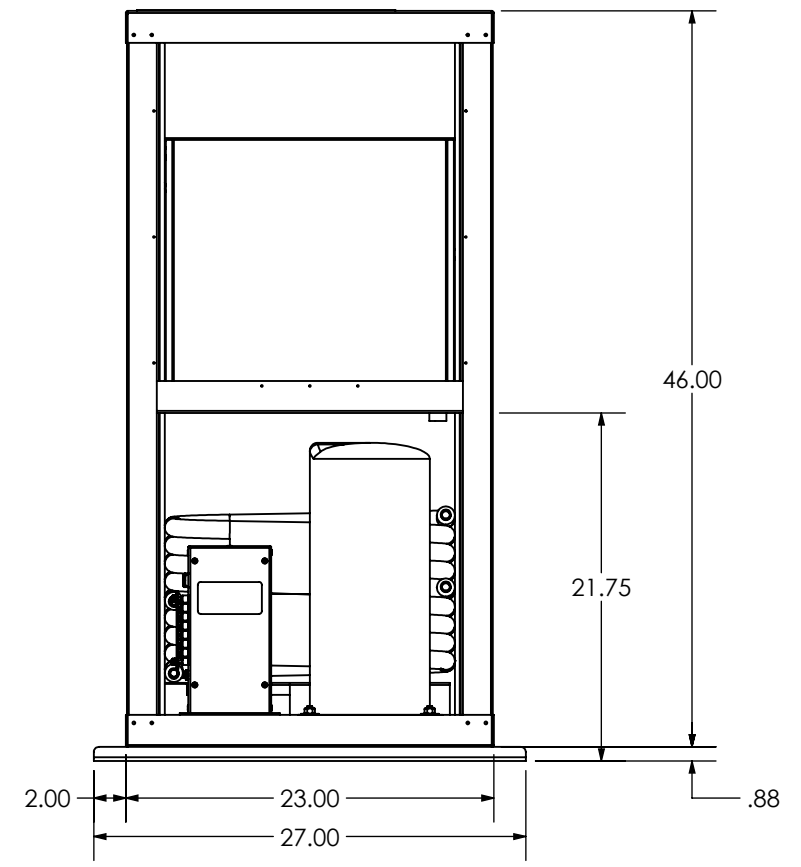


FLAGSHIP MARINE, INC.				
REV.	ZONE	DESCRIPTION	DATE	ENG APPROVAL



D  
C  
B  
A

D  
C  
B  
A



- 2. PREFERRED LIMITS AND FITS PER ANSI B4.1 (INCHES).
- 1. DIMENSIONING & TOLERANCING PER ASME Y14.5M.

NOTES:

  
**FLAGSHIP MARINE, INC.**  
 2427 SE DIXIE HIGHWAY  
 STUART | FLORIDA | 34996 | USA  
 (772) 283-1609 | (800) 319-6426  
 FAX (772) 283-4611

**PROPRIETARY AND CONFIDENTIAL**  
 THIS DOCUMENT CONTAINS INFORMATION  
 PROPRIETARY TO **FLAGSHIP  
 MARINE, INC.** NO PART MAY BE  
 REPRODUCED, USED IN ANY FORM,  
 OR STORED ELECTRONICALLY  
 WITHOUT THE WRITTEN PERMISSION OF  
**FLAGSHIP MARINE, INC.**

UNLESS OTHERWISE SPECIFIED:		NAME	DATE
DIMENSIONS ARE IN INCHES		DRAWN	SWC 5/7/2009
TOLERANCES:		CHECKED	TCM -
FRACTIONS ± 1/32		ENG APPR.	TCM -
ANG: MACH ± 0°30' BEND ± 2°		MFG APPR.	TCM -
DECIMALS .XX ± .01		Q.A.	EAS -
.XXX ± .005			
HOLE Ø .XX ± .005			
INTERPRET GEOMETRIC TOLERANCING PER: ASME Y14.5M			
MATERIAL		PERP	⊥ .003/IN
		STRAIGHTNESS	— .005/IN
		FLATNESS	∯ .005/IN
		THREADS:	
FINISH		EXTERNAL - CLASS 2A	
		INTERNAL - CLASS 2B	63/ U.O.S
		MACHINED SURFACES:	✓ U.O.S
NEXT ASSY	USED ON		
APPLICATION	DO NOT SCALE DRAWING		

TITLE: ASSEMBLY, AIR CONDITIONER FMAC60S-V, TOP, 23L X 26W X 46H		
PART NO. 20049-001		
SIZE <b>B</b>	DWG. NO. <b>FM20049</b>	REV <b>-</b>
OLD PART NO. -		
SCALE: 1:12		WGT: 473.64 LBS
SHEET 1 OF 3		

8 7 6 5 4 3 2 1