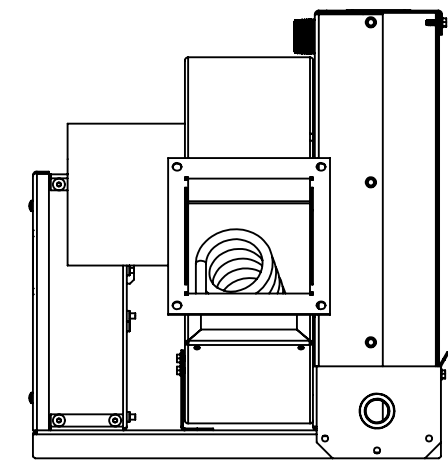
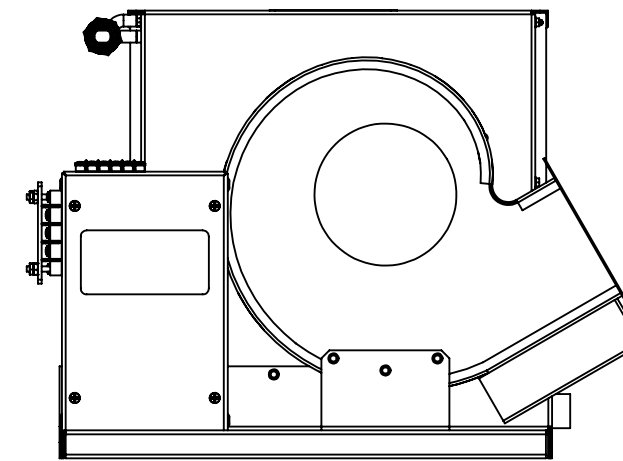
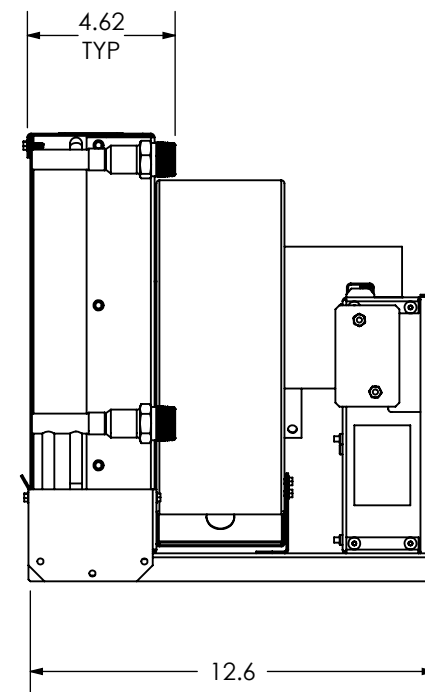
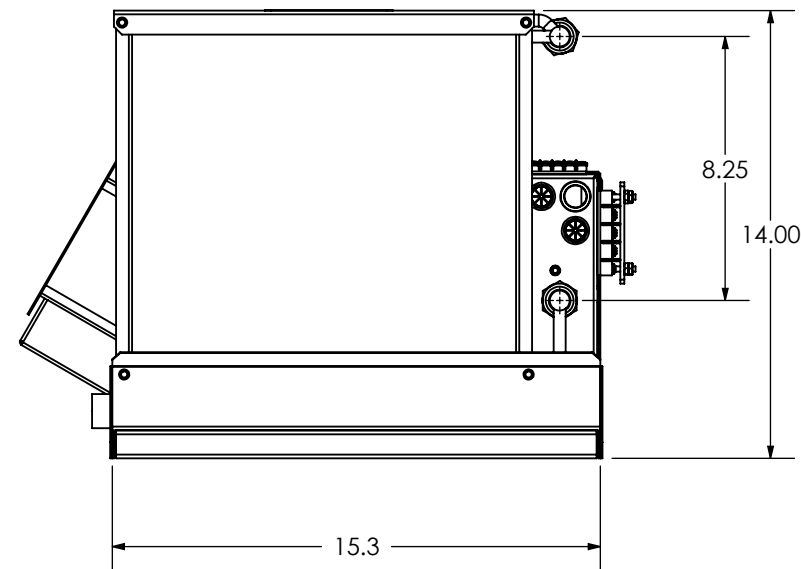
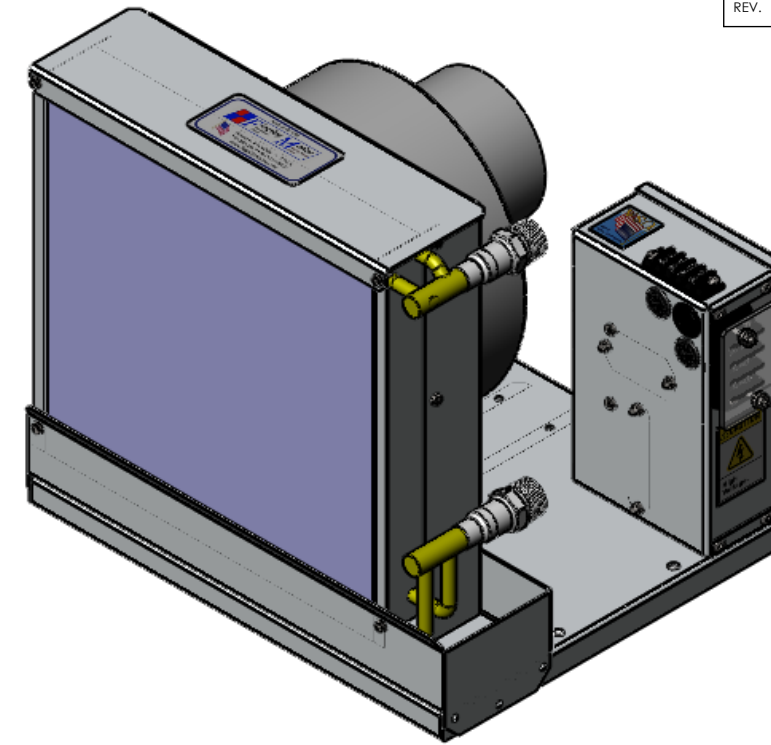
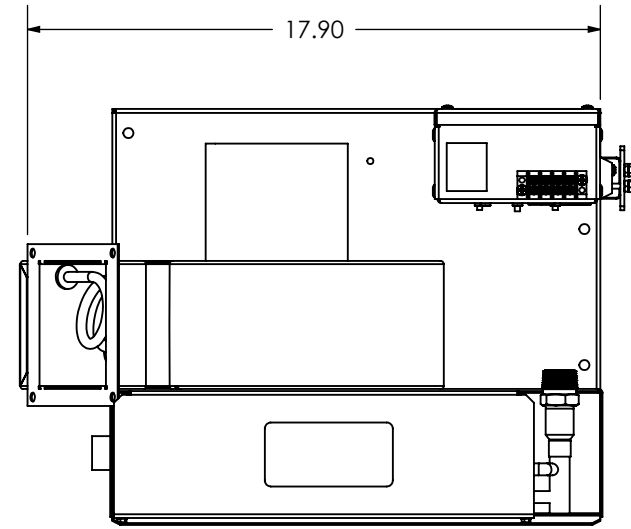


FLAGSHIP MARINE, INC.				
REV.	ZONE	DESCRIPTION	DATE	ENG APPROVAL



2. PREFERRED LIMITS AND FITS PER ANSI B4.1 (INCHES).  
 1. DIMENSIONING & TOLERANCING PER ASME Y14.5M.

NOTES:



**FLAGSHIP MARINE, INC.**  
 2427 SE DIXIE HIGHWAY  
 STUART | FLORIDA | 34996 | USA  
 (772) 283-1609 | (800) 319-6426  
 FAX (772) 283-4611

**PROPRIETARY AND CONFIDENTIAL**  
 THIS DOCUMENT CONTAINS INFORMATION  
 PROPRIETARY TO **FLAGSHIP  
 MARINE, INC.** NO PART MAY BE  
 REPRODUCED, USED IN ANY FORM,  
 OR STORED ELECTRONICALLY  
 WITHOUT THE WRITTEN PERMISSION OF  
**FLAGSHIP MARINE, INC.**

UNLESS OTHERWISE SPECIFIED:	NAME	DATE	TITLE: <b>ASSEMBLY, CHILLED WATER, FAN COIL, FM12CWFC</b>		
DIMENSIONS ARE IN INCHES	DRAWN	SWC		PART NO. <b>20079-001</b>	
TOLERANCES:	CHECKED	TCM			
FRACTIONS ± 1/32	ENG APPR.	TCM			
ANG: MACH ± 0°30' BEND ± 2°	MFG APPR.	TCM			
DECIMALS .XX ± .01	Q.A.	EAS			
.XXX ± .005	PERP	∓ .003/IN	SIZE	DWG. NO.	REV
HOLE Ø .XX ± .005	STRAIGHTNESS	∓ .005/IN	<b>B</b>	<b>FM20079</b>	-
INTERPRET GEOMETRIC TOLERANCING PER: ASME Y14.5M	FLATNESS	∓ .005/IN	OLD PART NO.	-	
MATERIAL	THREADS:	EXTERNAL - CLASS 2A	SCALE: 1:6	WGT: 35.13 LBS	SHEET 1 OF 2
FINISH	INTERNAL - CLASS 2B	∓ U.O.S.			
NEXT ASSY	MACHINED SURFACES:	∓ U.O.S.			
USED ON					
APPLICATION	DO NOT SCALE DRAWING				