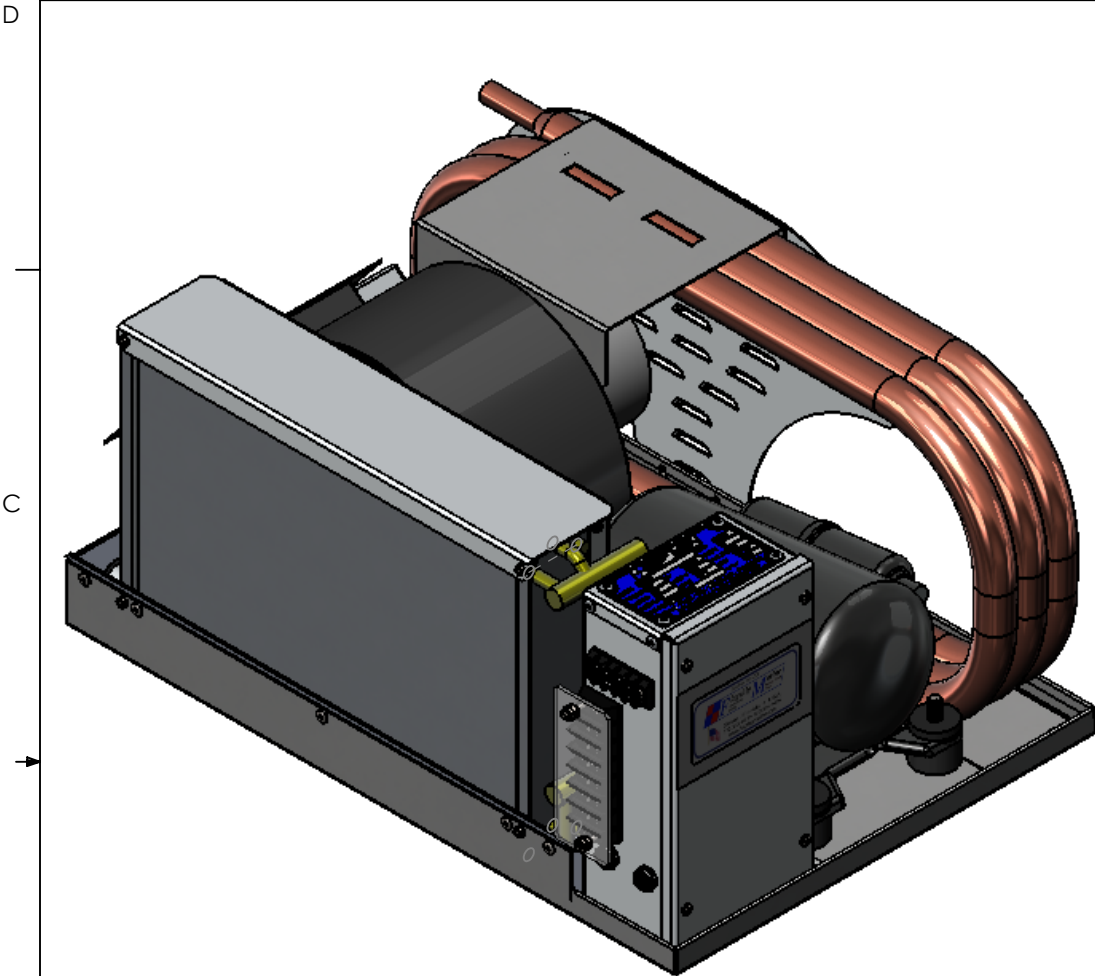


PART NUMBER	DESCRIPTION
20018-001	ASSEMBLY, AIR CONDITIONER, FM18R-LP, 120V SIDE
20018-011	ASSEMBLY, AIR CONDITIONER, FM18R-LP, 120V SIDE, WITH OPTIONAL HEAT
20018-101	ASSEMBLY, AIR CONDITIONER, FM18R-LP, 230V SIDE
20018-111	ASSEMBLY, AIR CONDITIONER, FM18R-LP, 230V SIDE, WITH OPTIONAL HEAT

FLAGSHIP MARINE, INC.				
REV.	ZONE	DESCRIPTION	DATE	ENG APPROVAL
06		80905-001 WAS 80099-001 AND 70912-001 WAS 70132-001	5/14/2014	
07		ADDED 60010-001 AND 60032-002	6/6/2014	
A		RELEASED FOR MANUFACTURING	7/16/2014	



20018-011 SHOWN
SEE SHEET 2 OF 2 FOR DIMENSIONS

2. PREFERRED LIMITS AND FITS PER ANSI B4.1 (INCHES).
1. DIMENSIONING & TOLERANCING PER ASME Y14.5M.
NOTES:

24	80905-001	WELDMENT, DRY DRAIN PAN, EVAPORATOR, AIR CONDITIONER, FM18R-LP	1	1	1	1
23	80159-001	WELDMENT, BASE, AIR CONDITIONER, FM18R-LP	1	1	1	1
22	70912-001	FABRICATION, SHROUD, EVAPORATOR, AIR CONDITIONER, FM18R-LP	1	1	1	1
21	70134-001	FABRICATION, BRACKET, CONDENSOR, AIR CONDITIONER, FM18R-LP	1	1	1	1
20	70133-001	FABRICATION, BRACKET, BLOWER, AIR CONDITIONER, FM18R-LP	1	1	1	1
19	70095-001	DETAIL, PLATE, DECORATIVE CONDENSER COVER, FM18R-LP	1	1	1	1
18	70086-001	FABRICATION, LID, ENCLOSURE, HEATER COIL, AIR CONDITIONER, FM9R	-	1	-	1
17	70085-001	FABRICATION, ENCLOSURE, HEATER COIL, AIR CONDITIONER, FM9R	-	1	-	1
16	60533-001	RIVET, 3/16" DIA. .062-.125" GRIP RANGE, SSB6-2S	16	16	16	16
15	60527-001	SELF TAP, #8 X 1/2 HWH SELF DRILL 18-8 SS	17	20	17	20
14	60517-001	SCREW, #8-32 X 3/8" PAN HEAD MACHINE SCREW, #2 DRIVE PHILLIPS, 18-8 SS	-	4	-	4
13	60285-001	COMPRESSOR, HORIZONTAL, 1PH, 50/60 Hz, 230V, 20/370	-	-	1	1
12	60283-001	COMPRESSOR, HORIZONTAL, 1PH, 60 Hz, 115V, 40/370 cap	1	1	-	-
11	60213-001	EVAPORATOR, 18000LP MBTU, 10HX14W, 3 ROW	1	1	1	1
10	60131-001	GROMMET, 11/16" PUSH-IN LOCKING, NYLON	-	1	-	1
9	60071-001	STANDOFF, .385 ID X 1.406 OD X 1.00 THK, 70 DURO EPDM BLACK	2	2	2	2
8	60070-001	WASHER, .385 ID X 1.406 OD X .25 THK, 60 DURO EPDM BLACK	2	2	2	2
7	60062-001	THERMAL LIMIT SWITCH, 130 DEGREE	-	1	-	1
6	60032-002	HEATER ELEMENT, COIL, 45"L, 8MM, 2000W, 240VAC, DBL END THRD BULKHEAD	-	-	-	1
5	60032-001	HEATER ELEMENT, COIL, 45"L, 8MM, 2000W, 120VAC, DBL END THRD BULKHEAD	-	1	-	-
4	60010-001	BLOWER, PSC, SHADED POLE, 1TDT3, 230V	-	-	1	1
3	60006-001	BLOWER, PSC, SHADED POLE, 1TDT2, 115V	1	1	-	-
2	50014-001	FABRICATION, TUBING, AIR CONDITIONER, FM18R-LP	1	1	1	1
1	20015-002	ASSEMBLY, CONTROL BOX, SELF CONTAINED, A/C, US COAST GUARD	1	1	1	1

ITEM NO.	PART NUMBER	DESCRIPTION	20018-001/QTY.	20018-011/QTY.	20018-101/QTY.	20018-111/QTY.
----------	-------------	-------------	----------------	----------------	----------------	----------------

FLAGSHIP MARINE, INC. BILL OF MATERIALS

<p>FLAGSHIP MARINE, INC. 2427 SE DIXIE HIGHWAY STUART FLORIDA 34996 USA (772) 283-1609 (800) 316-6426 FAX (772) 283-4611</p> <p>PROPRIETARY AND CONFIDENTIAL</p> <p>THIS DOCUMENT CONTAINS INFORMATION PROPRIETARY TO FLAGSHIP MARINE, INC. NO PART MAY BE REPRODUCED, USED IN ANY FORM, OR STORED ELECTRONICALLY WITHOUT THE WRITTEN PERMISSION OF FLAGSHIP MARINE, INC.</p>			UNLESS OTHERWISE SPECIFIED: DIMENSIONS ARE IN INCHES TOLERANCES: FRACTIONS ± 1/32 ANG: MACH ± 0°30' BEND ± 2° DECIMALS .XX ± .01 .XXX ± .005 HOLE Ø .XX ± .005		NAME	DATE	<p>TITLE: ASSEMBLY, AIR CONDITIONER, SIDE, FM18R-LP</p> <p>PART NO. 20018-XX1</p> <p>SIZE DWG. NO. REV B FM20018 A</p> <p>OLD PART NO. -</p> <p>SCALE: 1:5 WGT: 113.11 LBS SHEET 1 OF 3</p>
			INTERPRET GEOMETRIC TOLERANCING PER: ASME Y14.5M	DRAWN	SWC	8/2/2010	
			MATERIAL	CHECKED	TCM	-	
			FINISH	ENG APPR.	TCM	-	
	NEXT ASSY	USED ON	HOLE Ø .XX ± .005	MFG APPR.	TCM	-	
			PERP STRAIGHTNESS .003/IN FLATNESS .005/IN THREADS: EXTERNAL - CLASS 2A INTERNAL - CLASS 2B MACHINED SURFACES: ✓ U.O.S	Q.A.	EAS	-	
	APPLICATION	DO NOT SCALE DRAWING					

8 7 6 5 4 2 1

D

C

B

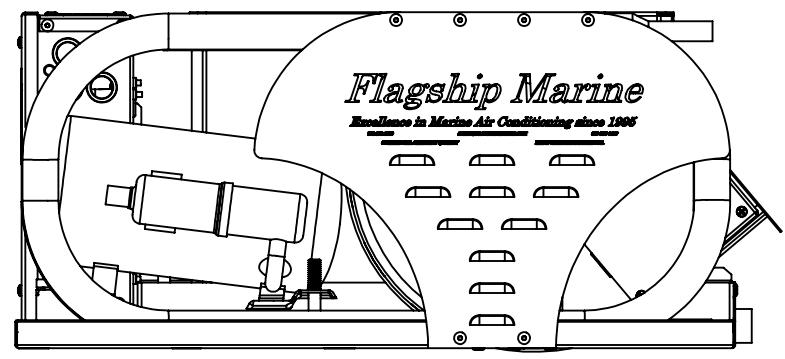
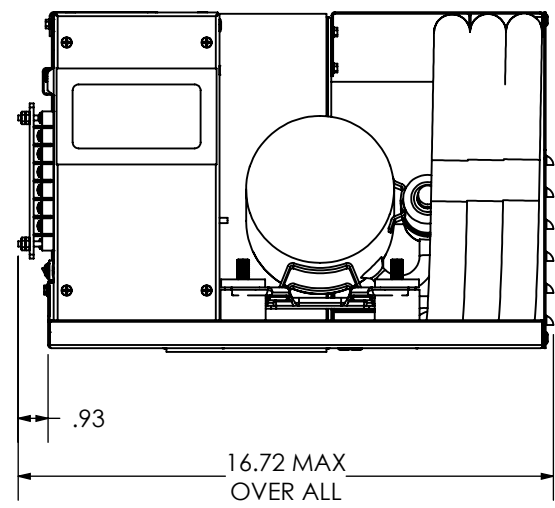
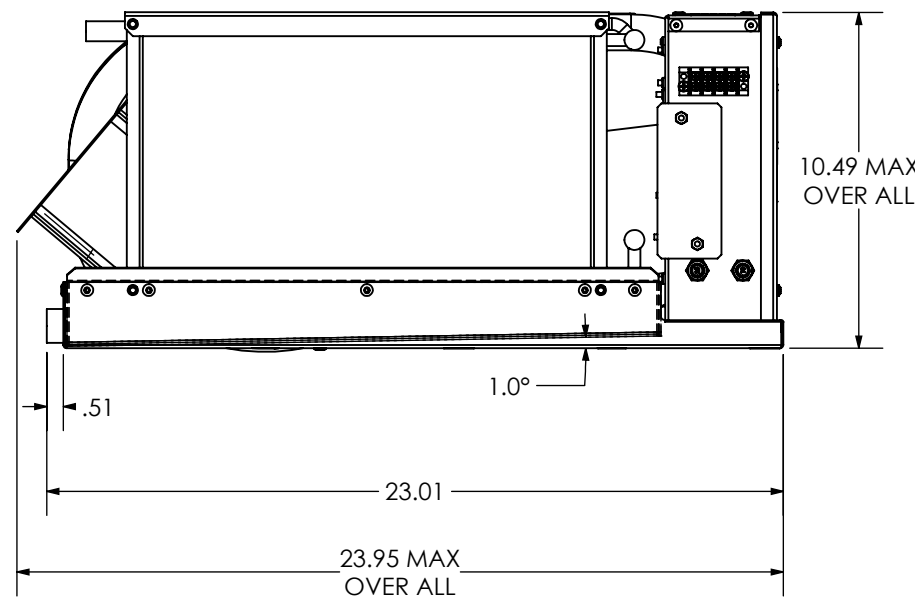
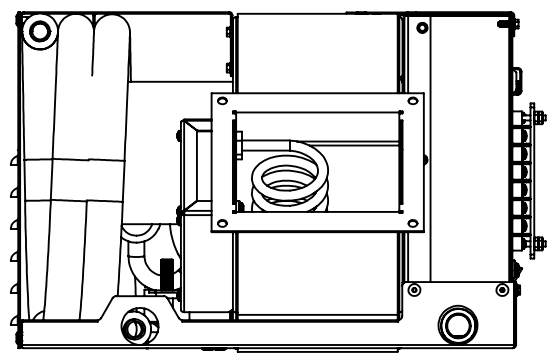
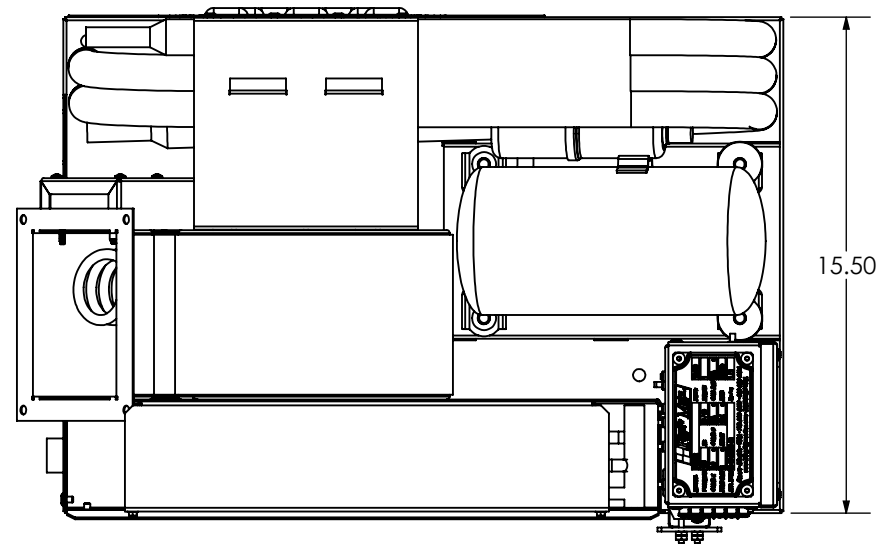
A

D

C

B

A



2018-011 SHOWN
SEE SHEET 1 OF 2 FOR BILL OF MATERIALS

Flagship Marine
COMMERCIAL QUALITY PURITY DESIGN FINISH

2427 SE DIXIE HIGHWAY | STUART | FLORIDA | 34996 | USA
(772) 283-1609 | (800) 316-6426 FAX (772) 283-4611

DRAWN	SWC
CHECKED	-
ENG APPR.	-

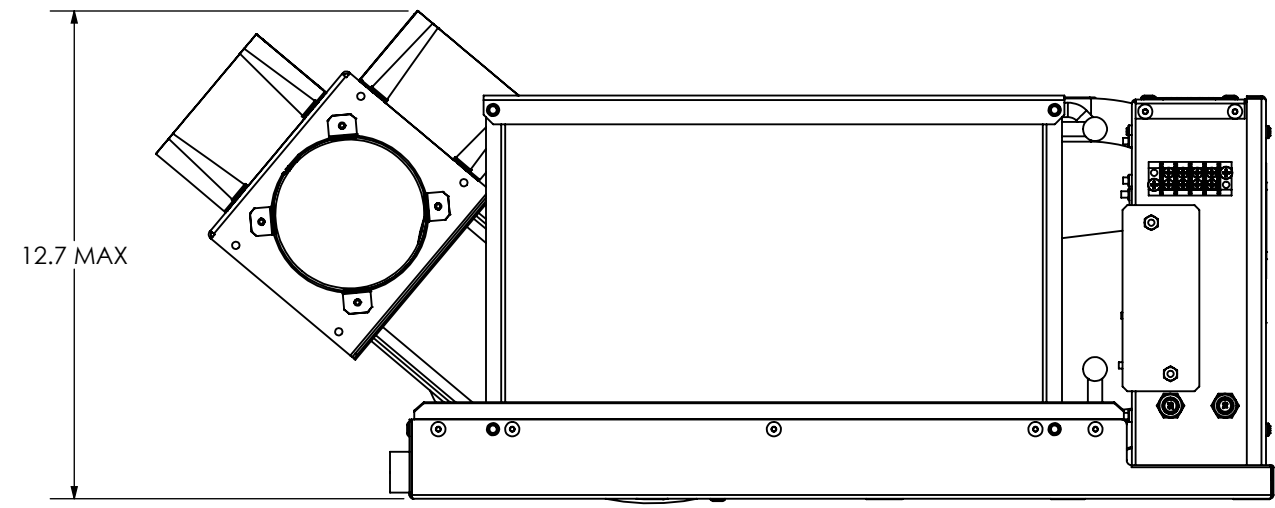
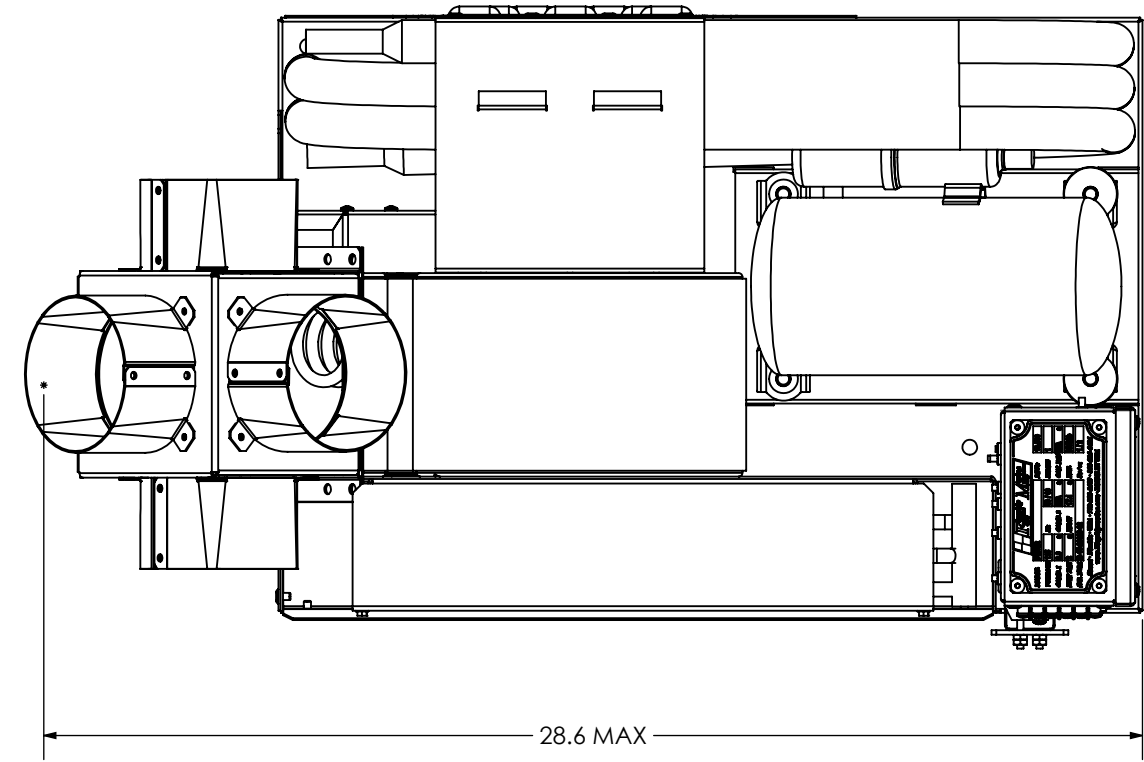
SIZE	DRAWING NO.	REV
B	FM20018	A
WGT: 113.11 LBS	SCALE: 1:6	SHEET 2 OF 3

8 7 6 5 4 3 2 1


8 7 6 5 4 2 1

D
C
B
A

D
C
B
A



20018-011
 SHOWN WITH OPTIONAL PLENUM & DISCHARGE RINGS
 FOR DIMENSIONAL REFERENCE ONLY

 2427 SE DIXIE HIGHWAY STUART FLORIDA 34996 USA (772) 283-1609 (800) 316-6426 FAX (772) 283-4611	DRAWN	SWC	SIZE	DRAWING NO.		REV
	CHECKED	-	B	FM20018		A
ENG APPR.		-	WGT: 113.92 LBS	SCALE: 1:6	SHEET 3 OF 3	

8 7 6 5 4 3 2 1