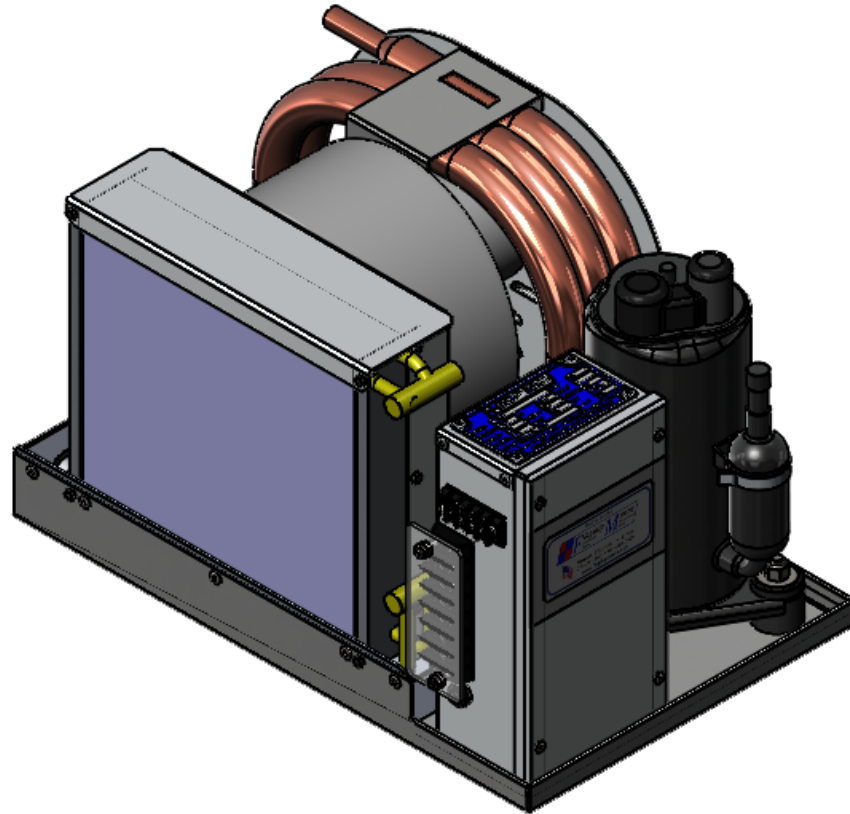


PART NUMBER	DESCRIPTION
20021-001	ASSEMBLY, AIR CONDITIONER FM9R, 120V SIDE
20021-011	ASSEMBLY, AIR CONDITIONER FM9R, 120V SIDE, WITH OPTIONAL HEAT
20021-101	ASSEMBLY, AIR CONDITIONER FM9R, 230V SIDE
20021-111	ASSEMBLY, AIR CONDITIONER FM9R, 230V SIDE, WITH OPTIONAL HEAT

FLAGSHIP MARINE, INC.				
REV.	ZONE	DESCRIPTION	DATE	ENG APPROVAL
07		80900 WAS 80021	5/12/2014	
A		RELEASED FOR MANUFACTURING	7/15/2014	
B		60018-001 WAS 60021-001; 60019-001 WAS 60009-001; DEL 5/16-18 HARDWARE; ADDED 3/8-16 HARDWARE	2/16/2015	



**20021-011 SHOWN  
SEE SHEET 3 OF 4 FOR DIMENSIONS**

28	80900-001	WELDMENT, DRY DRAIN PAN, EVAPORATOR, AIR CONDITIONER, FM9R	1	1	1	1
27	80022-001	WELDMENT, BASE, AIR CONDITIONER, FM9R, SIDE	1	1	1	1
26	70901-001	FABRICATION, SHROUD, EVAPORATOR, AIR CONDITIONER, FM9R, SIDE	1	1	1	1
25	70090-001	DETAIL, PLATE, DECORATIVE CONDENSER COVER, FM9R	1	1	1	1
24	70088-001	FABRICATION, BRACKET, CONDENSER, AIR CONDITIONER, FM9R, SIDE	1	1	1	1
23	70087-001	FABRICATION, BRACKET, BLOWER, AIR CONDITIONER, FM9R	1	1	1	1
22	70086-001	FABRICATION, LID, ENCLOSURE, HEATER COIL, AIR CONDITIONER, FM9R	-	1	-	1
21	70085-001	FABRICATION, ENCLOSURE, HEATER COIL, AIR CONDITIONER, FM9R	-	1	-	1
20	60657-001	WASHER, SPLIT LOCK, M6, SS	4	4	4	4
19	60656-001	BOLT, M6 X 1.0 X 12, SS	4	4	4	4
18	60539-001	NUT, 3/8-16 NYLON LOCK NUT 18-8 SS	3	3	3	3
17	60534-001	WASHER, 3/8 X 1 1/4 FENDER WASHER, 18-8 SS	3	3	3	3
16	60533-001	RIVET, 3/16" DIA. .062-.125" GRIP RANGE, SSB6-2S	18	18	18	18
15	60527-001	SELF TAP, #8 X 1/2 HWH SELF DRILL 18-8 SS	16	20	16	20
14	60517-001	SCREW, #8-32 X 3/8" PAN HEAD MACHINE SCREW, #2 DRIVE PHILLIPS, 18-8 SS	-	2	-	2
13	60251-001	COMPRESSOR, 1PH, 60 Hz, 115V	1	1	-	-
12	60250-001	COMPRESSOR, 1PH, 60 Hz, 230V	-	-	1	1
11	60210-001	EVAPORATOR, 9000 MBTU, 10HX10.13W, 2 ROW	1	1	1	1
10	60131-001	GROMMET, 11/16" PUSH-IN LOCKING, NYLON	-	1	-	1
9	60071-001	STANDOFF, .385 ID X 1.406 OD X 1.00 THK, 70 DURO EPDM BLACK	3	3	3	3
8	60070-001	WASHER, .385 ID X 1.406 OD X .25 THK, 60 DURO EPDM BLACK	3	3	3	3
7	60062-001	THERMAL LIMIT SWITCH, 130 DEGREE	-	1	-	1
6	60031-002	HEATER ELEMENT, COIL, 45"L, 8MM, 1700W, 240VAC, DBL END THRD BULKHEAD	-	-	-	1
5	60031-001	HEATER ELEMENT, COIL, 45"L, 8MM, 1700W, 120VAC, DBL END THRD BULKHEAD	-	1	-	-
4	60019-001	BLOWER, PSC, SHADED POLE, 1TDR4, 230V	-	-	1	1
3	60018-001	BLOWER, PSC, SHADED POLE, 1TDR3, 115V	1	1	-	-
2	50002-001	FABRICATION, TUBING, AIR CONDITIONER, FM9R, SIDE	1	1	1	1
1	20015-001	ASSEMBLY, CONTROL BOX, SELF CONTAINED, A/C, UNIVERSAL	1	1	1	1

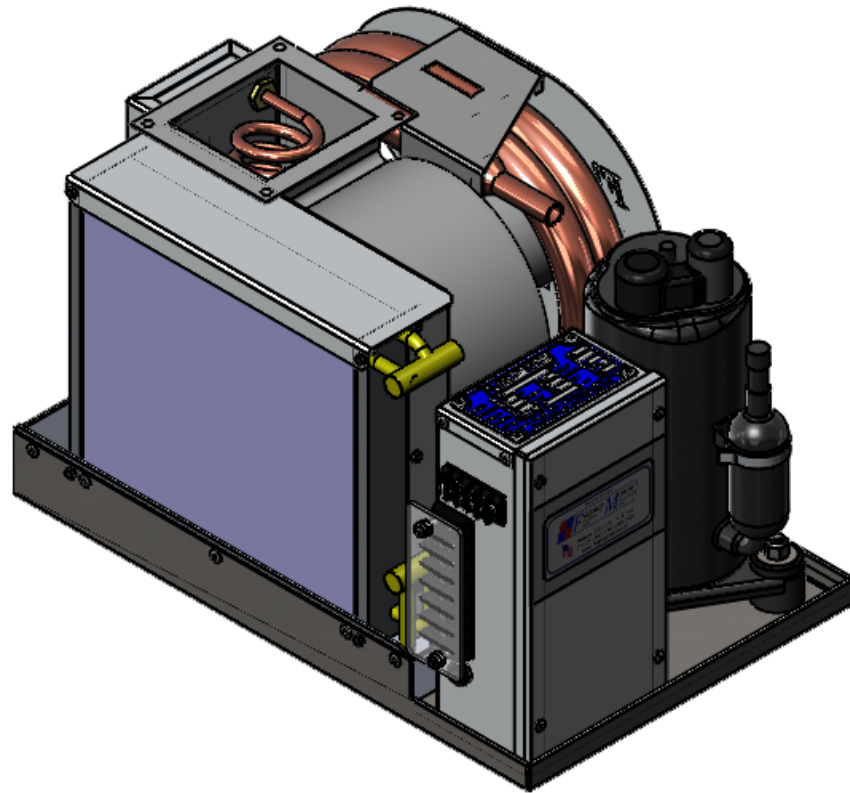
ITEM NO.	PART NUMBER	DESCRIPTION	20021-001/QTY.	20021-011/QTY.	20021-101/QTY.	20021-111/QTY.
----------	-------------	-------------	----------------	----------------	----------------	----------------

**FLAGSHIP MARINE, INC. BILL OF MATERIALS**

<p><b>FLAGSHIP MARINE, INC.</b> 2427 SE DIXIE HIGHWAY STUART   FLORIDA   34996   USA (772) 283-1609   (800) 316-6426 FAX (772) 283-4611</p> <p><b>PROPRIETARY AND CONFIDENTIAL</b></p> <p>THIS DOCUMENT CONTAINS INFORMATION PROPRIETARY TO FLAGSHIP MARINE, INC. NO PART MAY BE REPRODUCED, USED IN ANY FORM, OR STORED ELECTRONICALLY WITHOUT THE WRITTEN PERMISSION OF FLAGSHIP MARINE, INC.</p>			UNLESS OTHERWISE SPECIFIED: DIMENSIONS ARE IN INCHES TOLERANCES: FRACTIONS ± 1/32 ANG: MACH ± 0°30' BEND ± 2° DECIMALS .XX ± .01 .XXX ± .005 HOLE Ø .XX ± .005		NAME	DATE	<p>TITLE: ASSEMBLY, AIR CONDITIONER FM9R, SIDE</p> <p>PART NO. 20021-XX1</p> <p>SIZE DWG. NO. REV <b>B</b> FM20021 <b>B</b></p> <p>OLD PART NO. -</p> <p>SCALE: 1:5 WGT: 77.61 LBS SHEET 1 OF 5</p>
			INTERPRET GEOMETRIC TOLERANCING PER: ASME Y14.5M	DRAWN	SWC	8/2/2010	
			MATERIAL	CHECKED	TCM	-	
			FINISH	ENG APPR.	TCM	-	
	NEXT ASSY	USED ON	HOLE Ø .XX ± .005	MFG APPR.	TCM	-	
			PERP STRAIGHTNESS ± .003/IN FLATNESS ± .005/IN THREADS: EXTERNAL - CLASS 2A INTERNAL - CLASS 2B MACHINED SURFACES: √ U.O.S	Q.A.	EAS	-	
	APPLICATION	DO NOT SCALE DRAWING					

2. PREFERRED LIMITS AND FITS PER ANSI B4.1 (INCHES).  
1. DIMENSIONING & TOLERANCING PER ASME Y14.5M.  
NOTES:

PART NUMBER	DESCRIPTION
20021-002	ASSEMBLY, AIR CONDITIONER FM9R, 18.50L X 11.50W X 11.25H, 120V TOP
20021-012	ASSEMBLY, AIR CONDITIONER FM9R, 18.50L X 11.50W X 11.25H, 120V TOP, WITH OPTIONAL HEAT
20021-102	ASSEMBLY, AIR CONDITIONER FM9R, 18.50L X 11.50W X 11.25H, 230V TOP
20021-112	ASSEMBLY, AIR CONDITIONER FM9R, 18.50L X 11.50W X 11.25H, 230V TOP, WITH OPTIONAL HEAT



**20021-012 SHOWN  
SEE SHEET 4 OF 4 FOR DIMENSIONS**

28	80900-002	WELDMENT, DRY DRAIN PAN, EVAPORATOR, AIR CONDITIONER, FM9R	1	1	1	1
27	80022-002	WELDMENT, BASE, AIR CONDITIONER, FM9R, TOP	1	1	1	1
26	70901-002	FABRICATION, SHROUD, EVAPORATOR, AIR CONDITIONER, FM9R, TOP	1	1	1	1
25	70090-001	DETAIL, PLATE, DECORATIVE CONDENSER COVER, FM9R	1	1	1	1
24	70089-001	FABRICATION, BRACKET, CONDENSER, AIR CONDITIONER, FM9R, TOP	1	1	1	1
23	70087-001	FABRICATION, BRACKET, BLOWER, AIR CONDITIONER, FM9R	1	1	1	1
22	70086-001	FABRICATION, LID, ENCLOSURE, HEATER COIL, AIR CONDITIONER, FM9R	-	1	-	1
21	70085-001	FABRICATION, ENCLOSURE, HEATER COIL, AIR CONDITIONER, FM9R	-	1	-	1
20	60657-001	WASHER, SPLIT LOCK, M6, SS	4	4	4	4
19	60656-001	BOLT, M6 X 1.0 X 12, SS	4	4	4	4
18	60539-001	NUT, 3/8-16 NYLON LOCK NUT 18-8 SS	3	3	3	3
17	60534-001	WASHER, 3/8 X 1 1/4 FENDER WASHER, 18-8 SS	3	3	3	3
16	60533-001	RIVET, 3/16" DIA. .062-.125" GRIP RANGE, SSB6-2S	18	18	18	18
15	60527-001	SELF TAP, #8 X 1/2 HWH SELF DRILL 18-8 SS	16	20	16	20
14	60517-001	SCREW, #8-32 X 3/8" PAN HEAD MACHINE SCREW, #2 DRIVE PHILLIPS, 18-8 SS	-	4	-	4
13	60251-001	COMPRESSOR, 1PH, 60 Hz, 115V	1	1	-	-
12	60250-001	COMPRESSOR, 1PH, 60 Hz, 230V	-	-	1	1
11	60210-001	EVAPORATOR, 9000 MBTU, 10HX10.13W, 2 ROW	1	1	1	1
10	60131-001	GROMMET, 11/16" PUSH-IN LOCKING, NYLON	-	1	-	1
9	60071-001	STANDOFF, .385 ID X 1.406 OD X 1.00 THK, 70 DURO EPDM BLACK	3	3	3	3
8	60070-001	WASHER, .385 ID X 1.406 OD X .25 THK, 60 DURO EPDM BLACK	3	3	3	3
7	60062-001	THERMAL LIMIT SWITCH, 130 DEGREE	-	1	-	1
6	60031-002	HEATER ELEMENT, COIL, 45"L, 8MM, 1700W, 240VAC, DBL END THRD BULKHEAD	-	-	-	1
5	60031-001	HEATER ELEMENT, COIL, 45"L, 8MM, 1700W, 120VAC, DBL END THRD BULKHEAD	-	1	-	-
4	60019-001	BLOWER, PSC, SHADED POLE, 1TDR4, 230V	-	-	1	1
3	60018-001	BLOWER, PSC, SHADED POLE, 1TDR3, 115V	1	1	-	-
2	50002-002	FABRICATION, TUBING, AIR CONDITIONER, FM9R, TOP	1	1	1	1
1	20015-001	ASSEMBLY, CONTROL BOX, SELF CONTAINED, A/C, UNIVERSAL	1	1	1	1

ITEM NO.	PART NUMBER	DESCRIPTION	20021-002/QTY.	20021-012/QTY.	20021-102/QTY.	20021-112/QTY.
----------	-------------	-------------	----------------	----------------	----------------	----------------

**FLAGSHIP MARINE, INC. BILL OF MATERIALS**

**Flagship Marine**  
 FLAGSHIP MARINE, INC.  
 2427 SE DIXIE HIGHWAY  
 STUART | FLORIDA | 34996 | USA  
 (772) 283-1609 | (800) 316-6426  
 FAX (772) 283-4611

**PROPRIETARY AND CONFIDENTIAL**

THIS DOCUMENT CONTAINS INFORMATION PROPRIETARY TO FLAGSHIP MARINE, INC. NO PART MAY BE REPRODUCED, USED IN ANY FORM, OR STORED ELECTRONICALLY WITHOUT THE WRITTEN PERMISSION OF FLAGSHIP MARINE, INC.

UNLESS OTHERWISE SPECIFIED:		NAME	DATE
DIMENSIONS ARE IN INCHES		DRAWN	SWC 8/2/2010
TOLERANCES:		CHECKED	TCM -
FRACTIONS ± 1/32		ENG APPR.	TCM -
ANG: MACH ± 0°30' BEND ± 2°		MFG APPR.	TCM -
DECIMALS .XX ± .01		Q.A.	EAS -
.XXX ± .005		PERP STRAIGHTNESS ± .003/IN	
HOLE Ø .XX ± .005		FLATNESS ± .005/IN	
INTERPRET GEOMETRIC TOLERANCING PER: ASME Y14.5M		THREADS:	
MATERIAL		EXTERNAL - CLASS 2A	
FINISH		INTERNAL - CLASS 2B	
NEXT ASSY		MACHINED SURFACES: √ U.O.S	
USED ON			
APPLICATION		DO NOT SCALE DRAWING	

TITLE: ASSEMBLY, AIR CONDITIONER FM9R, TOP

PART NO. 20021-XX2

SIZE **B** DWG. NO. **FM20021** REV **B**

OLD PART NO. -

SCALE: 1:5 WGT: 77.78 LBS SHEET 2 OF 5

2. PREFERRED LIMITS AND FITS PER ANSI B4.1 (INCHES).  
 1. DIMENSIONING & TOLERANCING PER ASME Y14.5M.

NOTES:

8 7 6 5 4 2 1

D

C

B

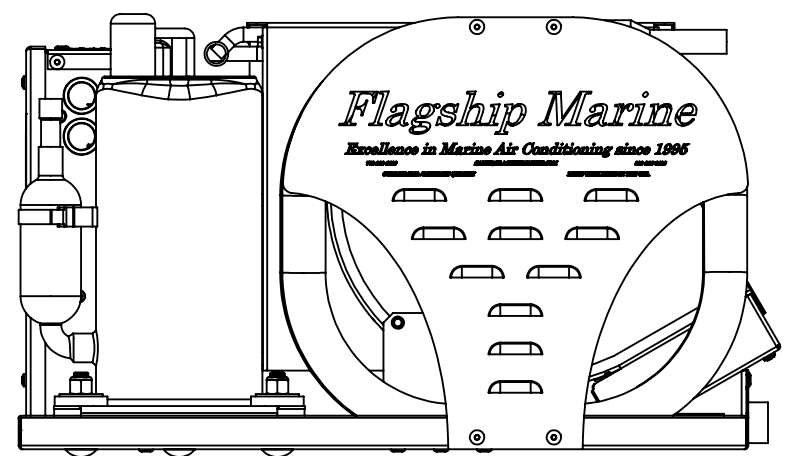
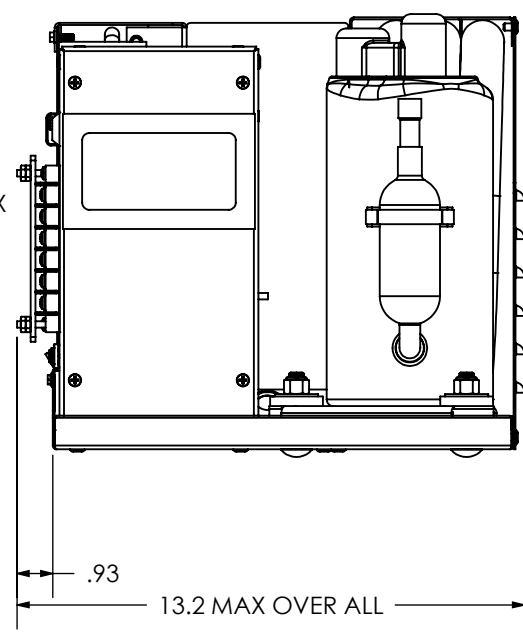
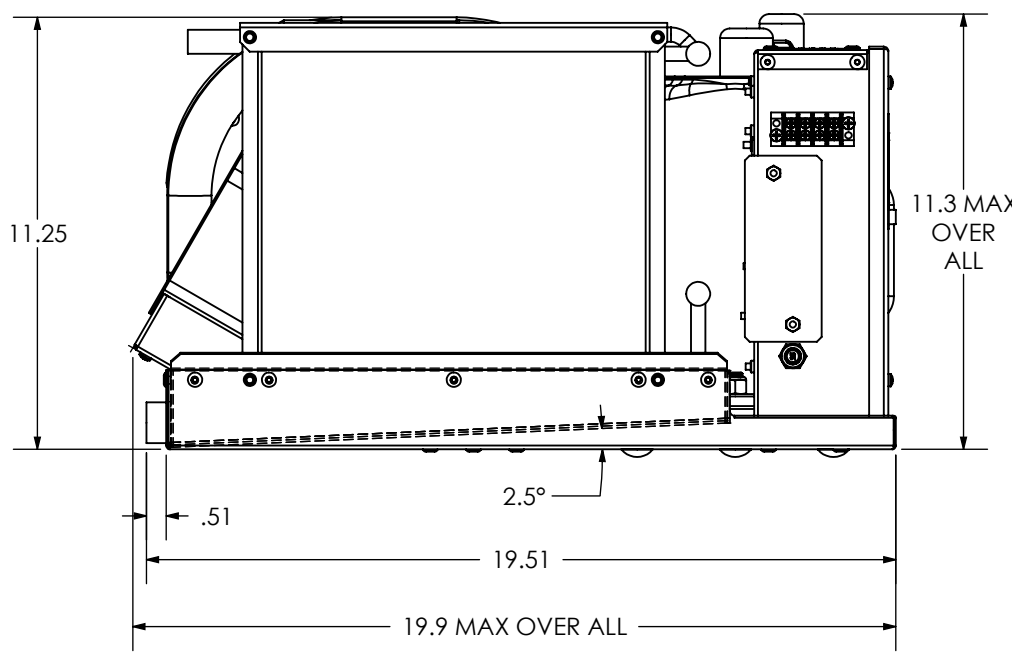
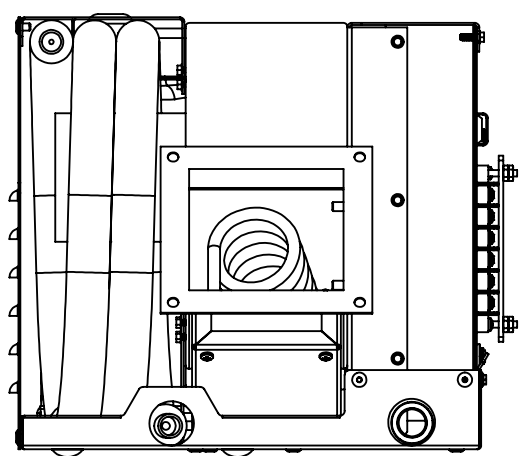
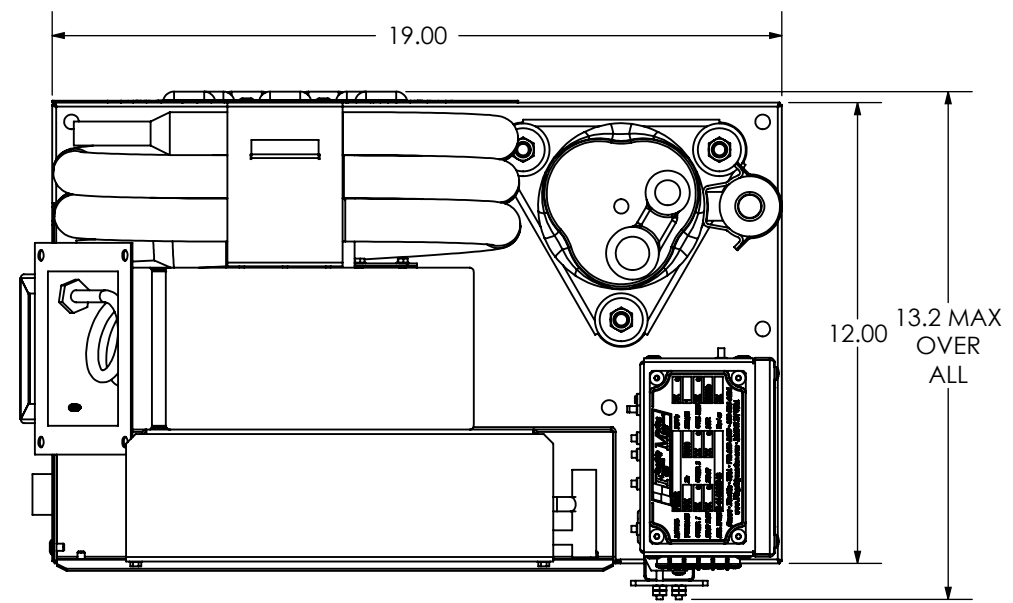
A

D

C

B

A



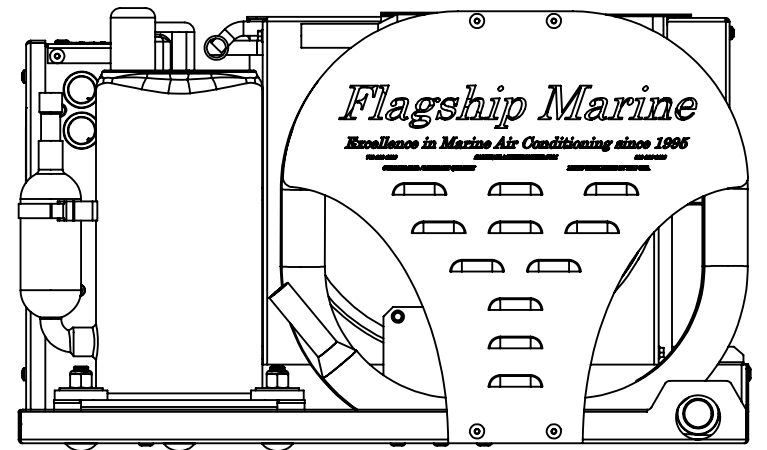
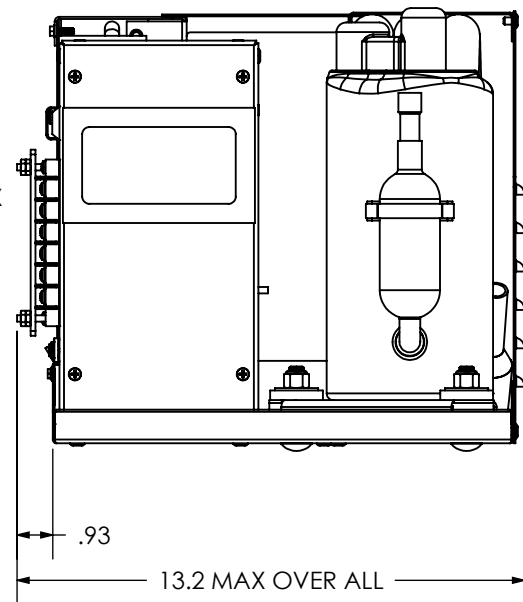
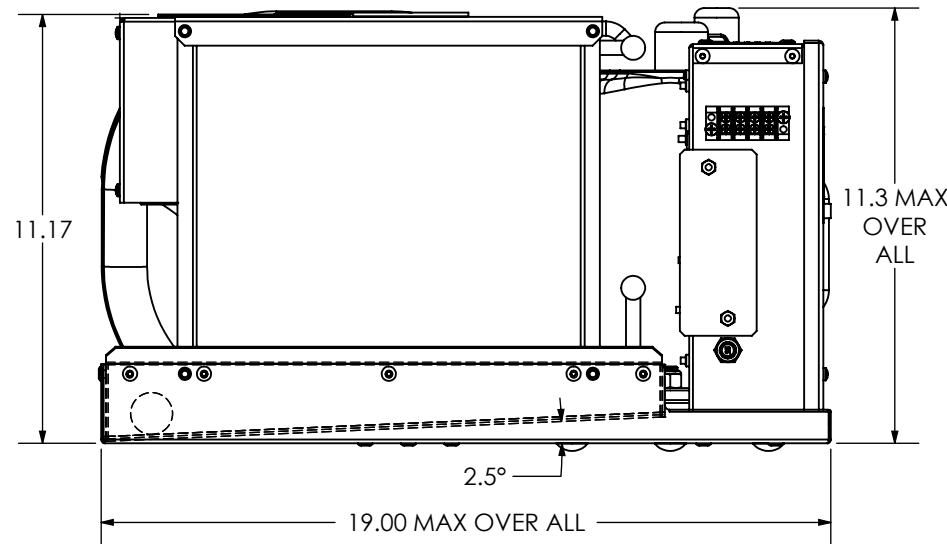
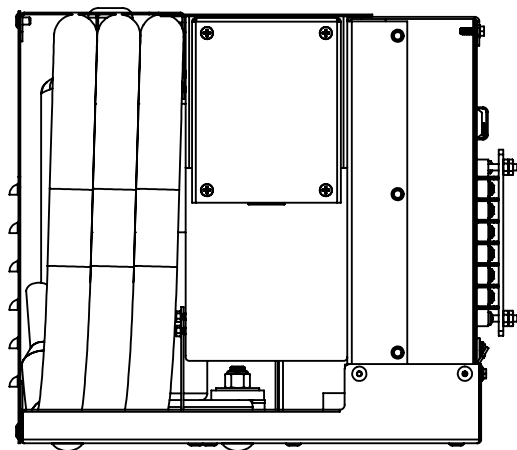
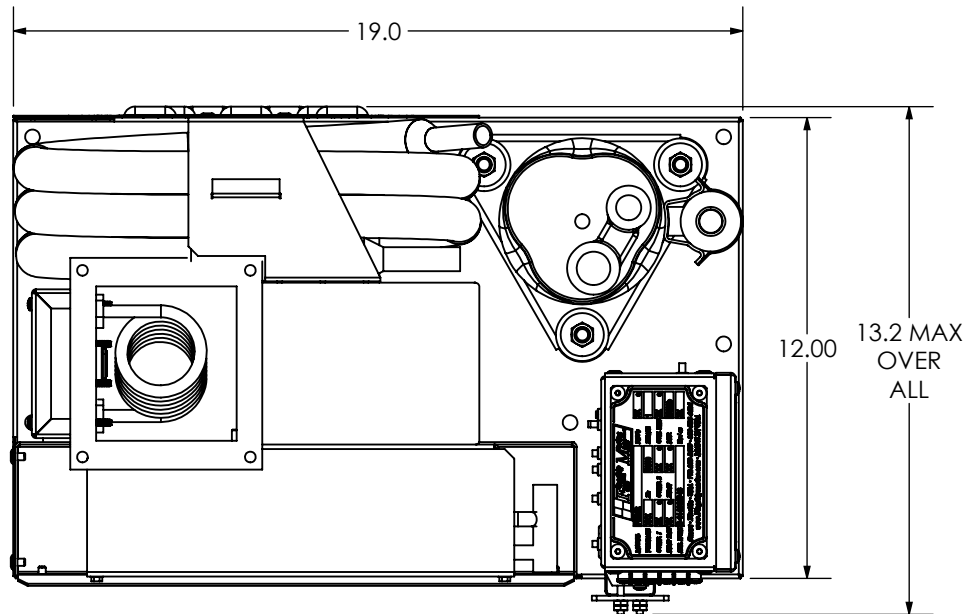
2021-011 SHOWN  
SEE SHEET 1 OF 4 FOR BILL OF MATERIALS

**Flagship Marine**  
Commercial Quality Factory Direct Prices

2427 SE DIXIE HIGHWAY | STUART | FLORIDA | 34996 | USA  
(772) 283-1609 | (800) 316-6426 FAX (772) 283-4611

DRAWN	SWC	SIZE	DRAWING NO.	REV
CHECKED	-	B	FM20021	B
ENG APPR.	-	WGT: 77.61 LBS	SCALE: 1:5	SHEET 3 OF 5

8 7 6 5 4 3 2 1



**2021-012 SHOWN  
SEE SHEET 2 OF 4 FOR BILL OF MATERIALS**

**Flagship Marine**  
Quality Design. Proven Performance.

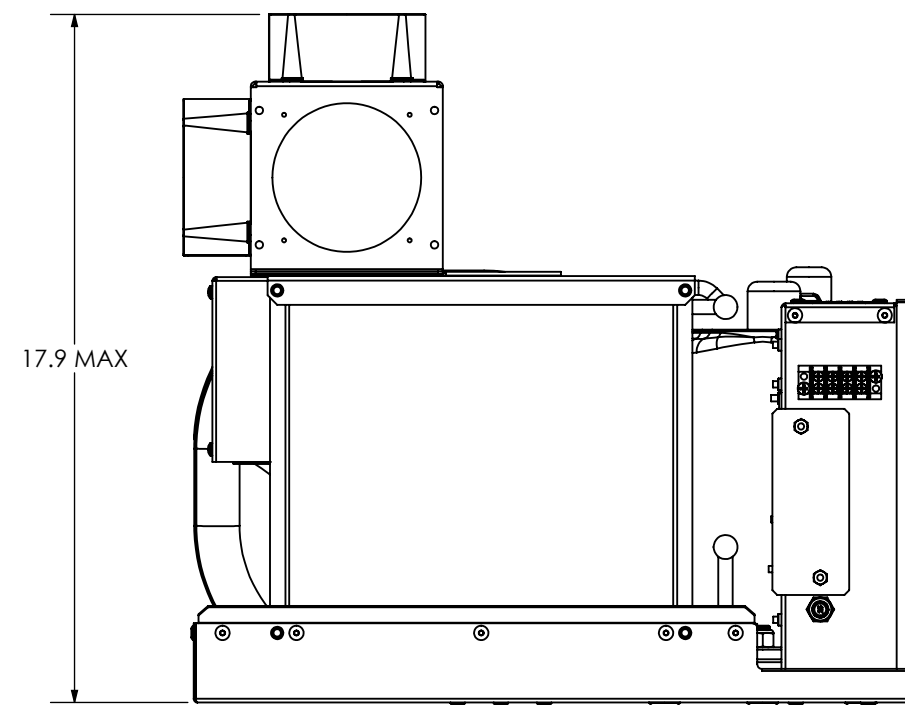
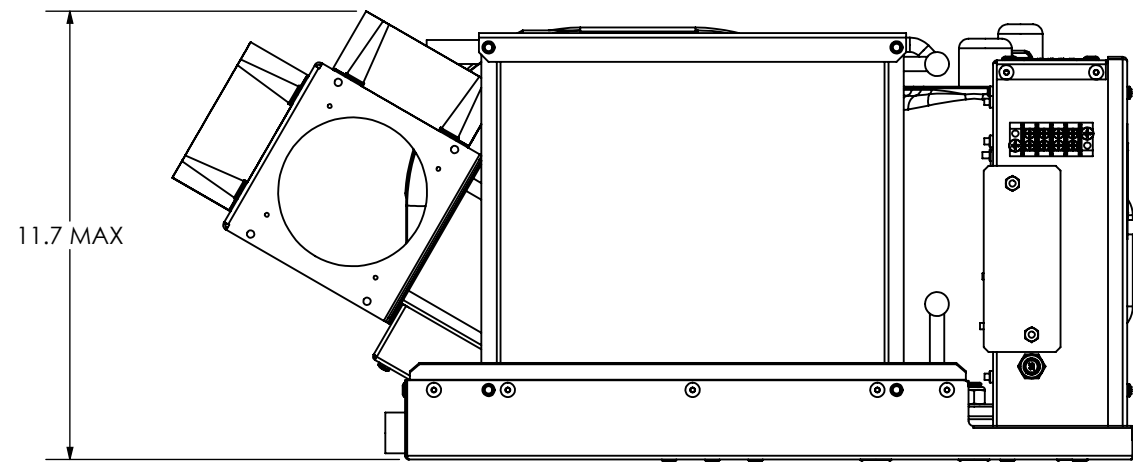
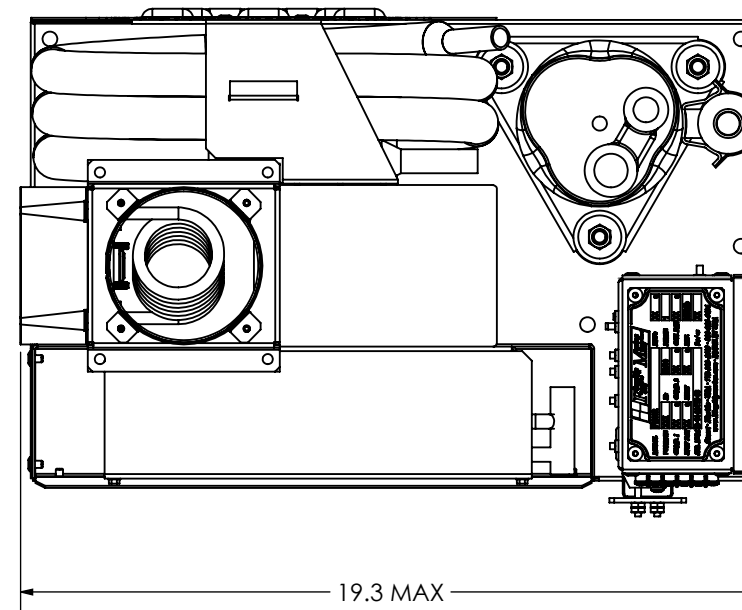
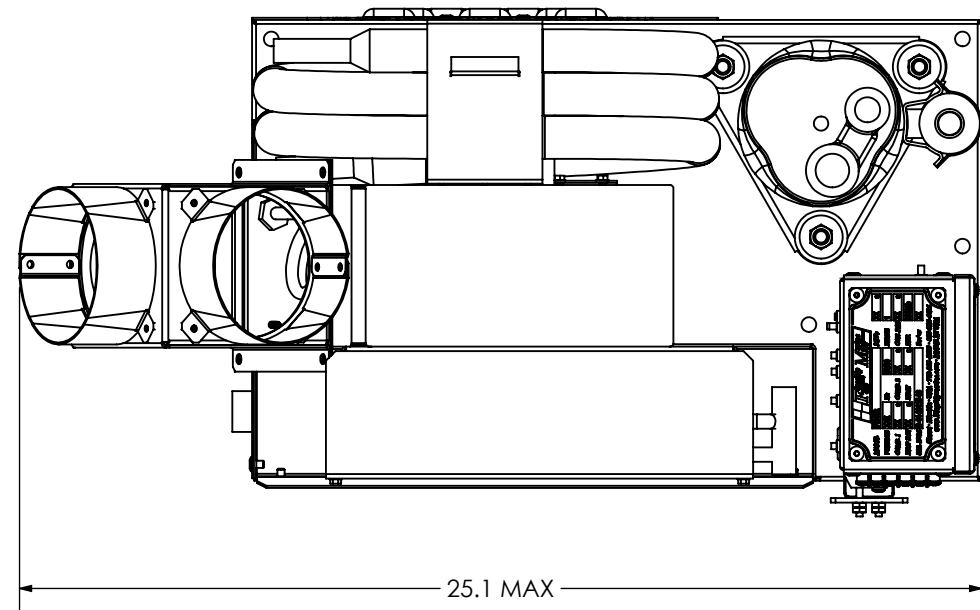
2427 SE DIXIE HIGHWAY | STUART | FLORIDA | 34996 | USA  
(772) 283-1609 | (800) 316-6426 FAX (772) 283-4611

DRAWN	SWC	SIZE	DRAWING NO.	REV
CHECKED	-	B	FM20021	B
ENG APPR.	-	WGT: 77.78 LBS	SCALE: 1:5	SHEET 4 OF 5

8 7 6 5 4 3 2 1

D  
C  
B  
A

D  
C  
B  
A



**20021-011**  
 SHOWN WITH OPTIONAL PLENUM & DISCHARGE RINGS  
 FOR DIMENSIONAL REFERENCE ONLY

**20021-012**  
 SHOWN WITH OPTIONAL PLENUM & DISCHARGE RINGS  
 FOR DIMENSIONAL REFERENCE ONLY

DRAWN	SWC	SIZE	DRAWING NO.	REV
CHECKED	-	B	FM20021	B
ENG APPR.	-	WGT: 77.99 LBS	SCALE: 1:5	SHEET 5 OF 5

8 7 6 5 4 3 2 1