

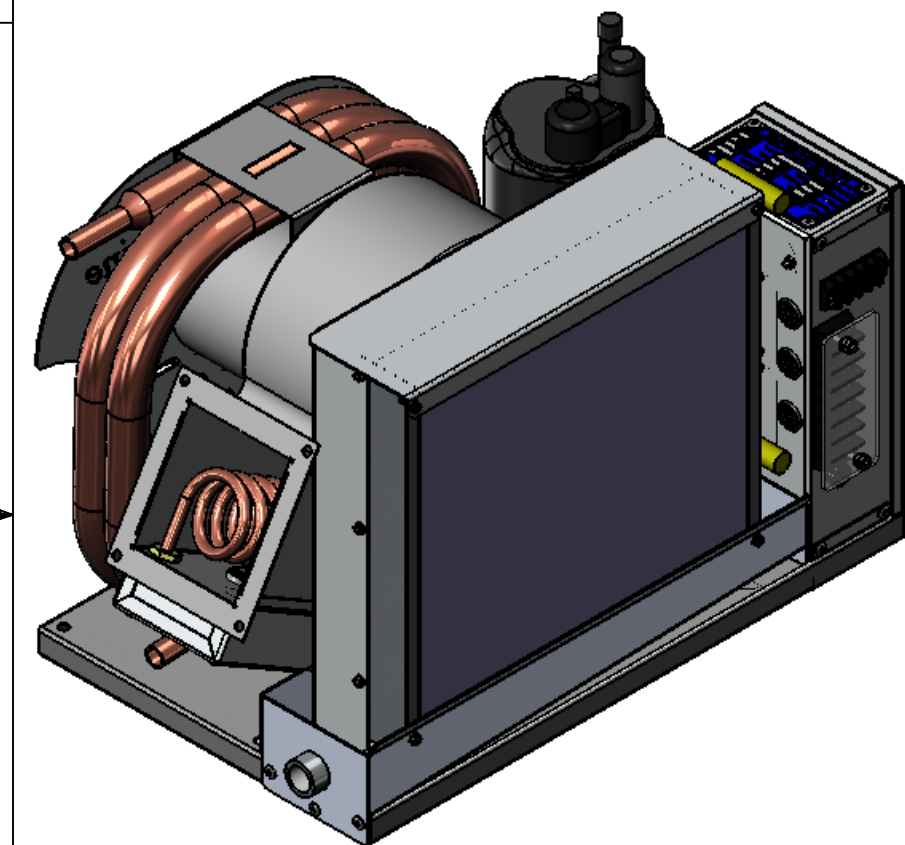
PART NUMBER	DESCRIPTION
20022-001	ASSEMBLY, AIR CONDITIONER FM12R, 120V SIDE
20022-011	ASSEMBLY, AIR CONDITIONER FM12R, 120V SIDE, WITH OPTIONAL HEAT
20022-101	ASSEMBLY, AIR CONDITIONER FM12R, 230V SIDE
20022-111	ASSEMBLY, AIR CONDITIONER FM12R, 230V SIDE, WITH OPTIONAL HEAT

FLAGSHIP MARINE, INC.				
REV.	ZONE	DESCRIPTION	DATE	ENG APPROVAL
06		ADDED SHEET 5 OF 5 (SHOWN WITH PLENUM & DISCHARGE RINGS)	2/12/2014	
07		80901-001 WAS 80023-001; 80901-002 WAS 80023-002; 70903-001 WAS 70097-001; 70903-002 WAS 70097-002	5/13/2014	
A		RELEASED FOR MANUFACTURING	7/15/2014	

30	hex nut_ai		3	3	3	3
29	lock washer spring regular_ai		2	2	3	3
28	60657-001	WASHER, SPLIT LOCK, M6, SS	4	4	4	4
27	60656-001	BOLT, M6 X 1.0 X 12, SS	4	4	4	4
26	80901-001	WELDMENT, DRY DRAIN PAN, EVAPORATOR, AIR CONDITIONER, FM12, FM16 & FM18R, SIDE	1	1	1	1
25	80024-001	WELDMENT, BASE, AIR CONDITIONER, FM12R	1	1	1	1
24	70903-001	FABRICATION, SHROUD, EVAPORATOR, AIR CONDITIONER, FM12R, SIDE	1	1	1	1
23	70105-001	FABRICATION, BRACKET, CONDENSER, AIR CONDITIONER, FM12R, SIDE	1	1	1	1
22	70099-002	FABRICATION, SUPPORT, BASE, AIR CONDITIONER, FM12R	1	1	1	1
21	70098-001	FABRICATION, BRACKET, BLOWER, AIR CONDITIONER, FM12R & FM16R	1	1	1	1
20	70091-001	DETAIL, PLATE, DECORATIVE CONDENSER COVER, FM12R /FM16R / FM18R	1	1	1	1
19	70086-001	FABRICATION, LID, ENCLOSURE, HEATER COIL, AIR CONDITIONER, FM9R	-	1	1	-
18	70085-001	FABRICATION, ENCLOSURE, HEATER COIL, AIR CONDITIONER, FM9R	-	1	1	-
17	60534-001	WASHER, 3/8 X 1 1/4 FENDER WASHER, 18-8 SS	3	3	3	3
16	60533-001	RIVET, 3/16" DIA. .062-.125" GRIP RANGE, SSB6-2S	21	21	21	21
15	60527-001	SELF TAP, #8 X 1/2 HWH SELF DRILL 18-8 SS	16	20	20	16
14	60517-001	SCREW, #8-32 X 3/8" PAN HEAD MACHINE SCREW, #2 DRIVE PHILLIPS, 18-8 SS	-	4	4	-
13	60246-001	COMPRESSOR, 1PH, 60 Hz, 230V	-	-	1	1
12	60245-001	COMPRESSOR, 1PH, 60 Hz, 115V	1	1	-	-
11	60211-001	EVAPORATOR, 16000 MBTU, 12HX12.13W, 2 ROW	1	1	1	1
10	60131-001	GROMMET, 11/16" PUSH-IN LOCKING, NYLON	-	1	1	-
9	60071-001	STANDOFF, .385 ID X 1.406 OD X 1.00 THK, 70 DURO EPDM BLACK	2	2	2	2
8	60070-001	WASHER, .385 ID X 1.406 OD X .25 THK, 60 DURO EPDM BLACK	3	3	3	3
7	60062-001	THERMAL LIMIT SWITCH, 130 DEGREE	-	1	1	-
6	60031-002	HEATER ELEMENT, COIL, 45"L, 8MM, 1700W, 240VAC, DBL END THRD BULKHEAD	-	-	1	-
5	60031-001	HEATER ELEMENT, COIL, 45"L, 8MM, 1700W, 120VAC, DBL END THRD BULKHEAD	-	1	-	-
4	60021-001	BLOWER, PSC, SHADED POLE, 1TDR7, 115V	1	1	-	-
3	60009-001	BLOWER, PSC, SHADED POLE, 1TDR8, 230V	-	-	1	1
2	50003-001	FABRICATION, TUBING, AIR CONDITIONER, FM12R / FM16R / FM18R	1	1	1	1
1	20015-001	ASSEMBLY, CONTROL BOX, SELF CONTAINED, A/C, UNIVERSAL	1	1	1	1

ITEM NO.	PART NUMBER	DESCRIPTION	20022-001/QTY.	20022-011/QTY.	20022-111/QTY.	20022-101/QTY.
----------	-------------	-------------	----------------	----------------	----------------	----------------

**FLAGSHIP MARINE, INC. BILL OF MATERIALS**



**20022-011 SHOWN  
SEE SHEET 3 OF 4 FOR DIMENSIONS**

- NOTES:
- NO SHARP EDGES PERMITTED.
  - PREFERRED LIMITS AND FITS PER ANSI B4.1 (INCHES).
  - DIMENSIONING & TOLERANCING PER ASME Y14.5M.

**Flagship Marine**  
 FLAGSHIP MARINE, INC.  
 2427 SE DIXIE HIGHWAY  
 STUART | FLORIDA | 34996 | USA  
 (772) 283-1609 | (800) 316-6426  
 FAX (772) 283-4611

**PROPRIETARY AND CONFIDENTIAL**  
 THIS DOCUMENT CONTAINS INFORMATION PROPRIETARY TO FLAGSHIP MARINE, INC. NO PART MAY BE REPRODUCED, USED IN ANY FORM, OR STORED ELECTRONICALLY WITHOUT THE WRITTEN PERMISSION OF FLAGSHIP MARINE, INC.

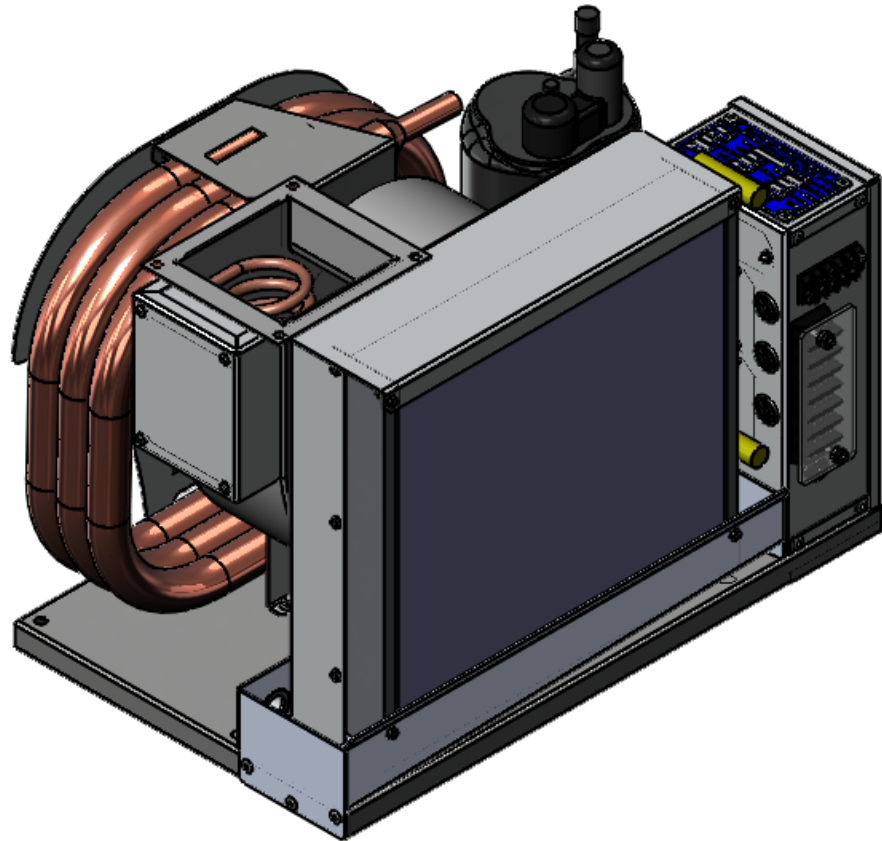
UNLESS OTHERWISE SPECIFIED:			
DIMENSIONS ARE IN INCHES			
TOLERANCES:			
FRACTIONS ± 1/32			
ANG: MACH ± 0°30' BEND ± 2°			
DECIMALS .XX ± .01			
.XXX ± .005			
HOLE Ø .XX ± .005			
INTERPRET GEOMETRIC TOLERANCING PER: ASME Y14.5M			
MATERIAL			
FINISH			
NEXT ASSY	USED ON		
APPLICATION	DO NOT SCALE DRAWING		

NAME	DATE	TITLE:
SWC	8/2/2010	ASSEMBLY, AIR CONDITIONER FM12R, SIDE
CHECKED	TCM	
ENG APPR.	TCM	
MFG APPR.	TCM	
Q.A.	EAS	
SIZE	DWG. NO.	REV
<b>B</b>	<b>FM20022</b>	<b>A</b>
PART NO. <b>20022-XX1</b>		
OLD PART NO. -		
SCALE: 1:5	WGT: 101.71 LBS	SHEET 1 OF 5

PART NUMBER	DESCRIPTION
20022-002	ASSEMBLY, AIR CONDITIONER FM12R, 19.75L X 12.25W X 13.50H, 120V TOP
20022-012	ASSEMBLY, AIR CONDITIONER FM12R, 19.75L X 12.25W X 13.50H, 120V TOP, WITH OPTIONAL HEAT
20022-102	ASSEMBLY, AIR CONDITIONER FM12R, 19.75L X 12.25W X 13.50H, 230V TOP
20022-112	ASSEMBLY, AIR CONDITIONER FM12R, 19.75L X 12.25W X 13.50H, 230V TOP, WITH OPTIONAL HEAT

30	hex nut_ai		3	3	3	3
29	lock washer spring regular_ai		2	2	3	3
28	60656-001	BOLT, M6 X 1.0 X 12, SS	4	4	4	4
27	60657-001	WASHER, SPLIT LOCK, M6, SS	4	4	4	4
26	60245-001	COMPRESSOR, 1PH, 60 Hz, 115V	1	1	-	-
25	60021-001	BLOWER, PSC, SHADED POLE, 1TDR7, 115V	1	1	-	-
24	80901-002	WELDMENT, DRY DRAIN PAN, EVAPORATOR, AIR CONDITIONER, FM12, FM16 & FM18R, TOP	1	1	1	1
23	80024-001	WELDMENT, BASE, AIR CONDITIONER, FM12R	1	1	1	1
22	70903-002	FABRICATION, SHROUD, EVAPORATOR, AIR CONDITIONER, FM12R, TOP	1	1	1	1
21	70106-001	FABRICATION, BRACKET, CONDENSER, AIR CONDITIONER, FM12R, TOP	1	1	1	1
20	70099-002	FABRICATION, SUPPORT, BASE, AIR CONDITIONER, FM12R	1	1	1	1
19	70098-001	FABRICATION, BRACKET, BLOWER, AIR CONDITIONER, FM12R & FM16R	1	1	1	1
18	70091-001	DETAIL, PLATE, DECORATIVE CONDENSER COVER, FM12R /FM16R / FM18R	1	1	1	1
17	70086-001	FABRICATION, LID, ENCLOSURE, HEATER COIL, AIR CONDITIONER, FM9R	1	-	-	1
16	70085-001	FABRICATION, ENCLOSURE, HEATER COIL, AIR CONDITIONER, FM9R	1	-	-	1
15	60534-001	WASHER, 3/8 X 1 1/4 FENDER WASHER, 18-8 SS	3	3	3	3
14	60533-001	RIVET, 3/16" DIA. .062-.125" GRIP RANGE, SSB6-2S	21	21	21	21
13	60527-001	SELF TAP, #8 X 1/2 HWH SELF DRILL 18-8 SS	20	16	16	20
12	60517-001	SCREW, #8-32 X 3/8" PAN HEAD MACHINE SCREW, #2 DRIVE PHILLIPS, 18-8 SS	4	-	-	4
11	60246-001	COMPRESSOR, 1PH, 60 Hz, 230V	-	-	1	1
10	60211-001	EVAPORATOR, 16000 MBTU, 12HX12.13W, 2 ROW	1	1	1	1
9	60131-001	GROMMET, 1 1/16" PUSH-IN LOCKING, NYLON	1	-	-	1
8	60071-001	STANDOFF, .385 ID X 1.406 OD X 1.00 THK, 70 DURO EPDM BLACK	2	2	2	2
7	60070-001	WASHER, .385 ID X 1.406 OD X .25 THK, 60 DURO EPDM BLACK	3	3	3	3
6	60062-001	THERMAL LIMIT SWITCH, 130 DEGREE	1	-	-	1
5	60031-002	HEATER ELEMENT, COIL, 45"L, 8MM, 1700W, 240VAC, DBL END THRD BULKHEAD	-	-	-	1
4	60031-001	HEATER ELEMENT, COIL, 45"L, 8MM, 1700W, 120VAC, DBL END THRD BULKHEAD	1	-	-	-
3	60009-001	BLOWER, PSC, SHADED POLE, 1TDR8, 230V	-	-	1	1
2	50003-001	FABRICATION, TUBING, AIR CONDITIONER, FM12R / FM16R / FM18R	1	1	1	1
1	20015-001	ASSEMBLY, CONTROL BOX, SELF CONTAINED, A/C, UNIVERSAL	1	1	1	1

ITEM NO.	PART NUMBER	DESCRIPTION	20022-012/QTY.	20022-002/QTY.	20022-102/QTY.	20022-112/QTY.
----------	-------------	-------------	----------------	----------------	----------------	----------------



**20022-012 SHOWN  
SEE SHEET 4 OF 4 FOR DIMENSIONS**

**FLAGSHIP MARINE, INC. BILL OF MATERIALS**

- NOTES:
- NO SHARP EDGES PERMITTED.
  - PREFERRED LIMITS AND FITS PER ANSI B4.1 (INCHES).
  - DIMENSIONING & TOLERANCING PER ASME Y14.5M.

**Flagship Marine**  
 FLAGSHIP MARINE, INC.  
 2427 SE DIXIE HIGHWAY  
 STUART | FLORIDA | 34996 | USA  
 (772) 283-1609 | (800) 316-6426  
 FAX (772) 283-4611

**PROPRIETARY AND CONFIDENTIAL**  
 THIS DOCUMENT CONTAINS INFORMATION PROPRIETARY TO FLAGSHIP MARINE, INC. NO PART MAY BE REPRODUCED, USED IN ANY FORM, OR STORED ELECTRONICALLY WITHOUT THE WRITTEN PERMISSION OF FLAGSHIP MARINE, INC.

UNLESS OTHERWISE SPECIFIED:		NAME	DATE
DIMENSIONS ARE IN INCHES		DRAWN	SWC 8/2/2010
TOLERANCES:		CHECKED	TCM -
FRACTIONS ± 1/32		ENG APPR.	TCM -
ANG: MACH ± 0°30' BEND ± 2°		MFG APPR.	TCM -
DECIMALS .XX ± .01		Q.A.	EAS -
.XXX ± .005			
HOLE Ø .XX ± .005			
INTERPRET GEOMETRIC TOLERANCING PER: ASME Y14.5M			
MATERIAL			
FINISH			
NEXT ASSY	USED ON		
APPLICATION		DO NOT SCALE DRAWING	

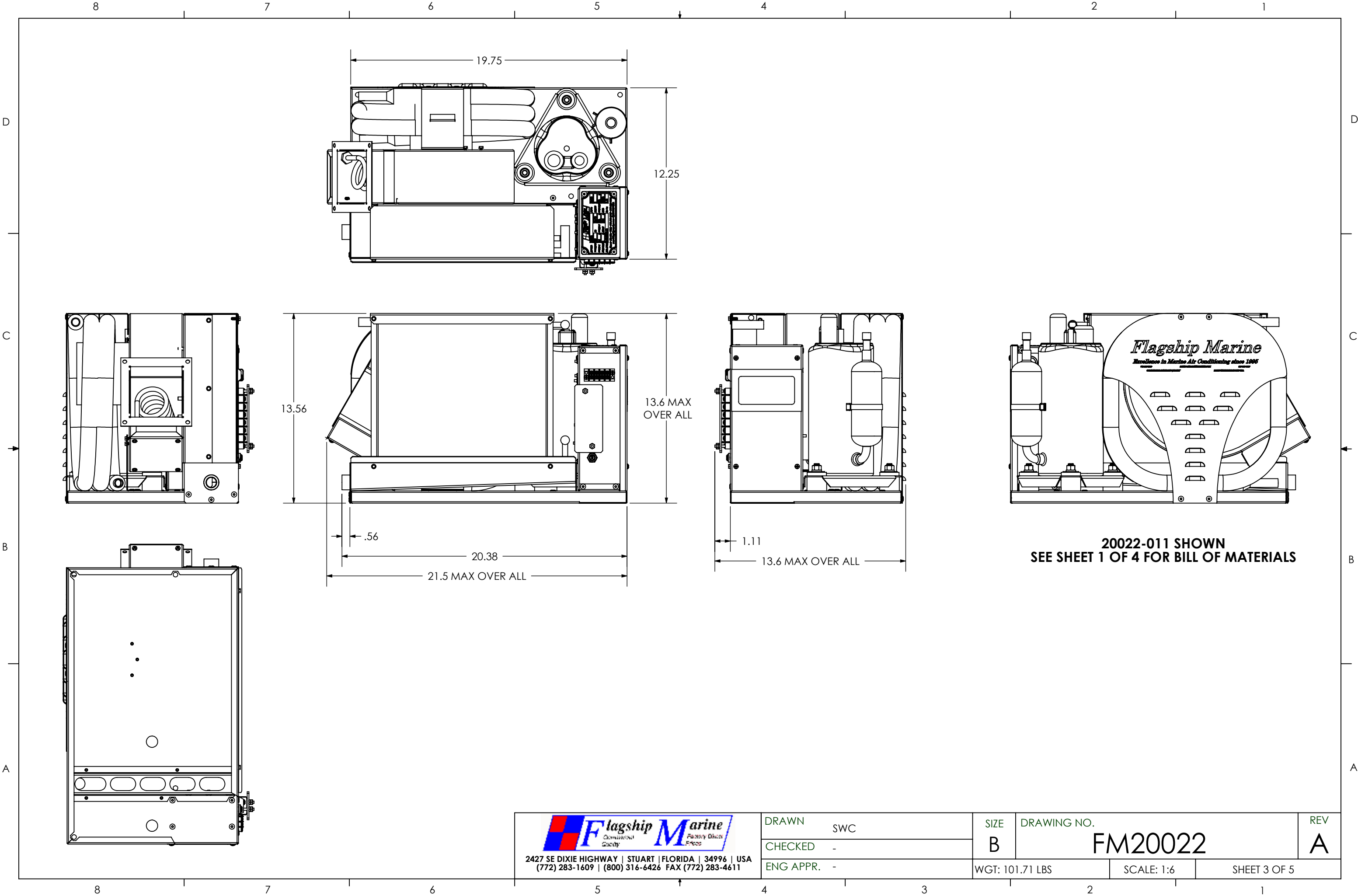
TITLE: ASSEMBLY, AIR CONDITIONER FM12R, TOP

PART NO. 20022-XX2


SIZE DWG. NO. REV  
**B** FM20022 **A**

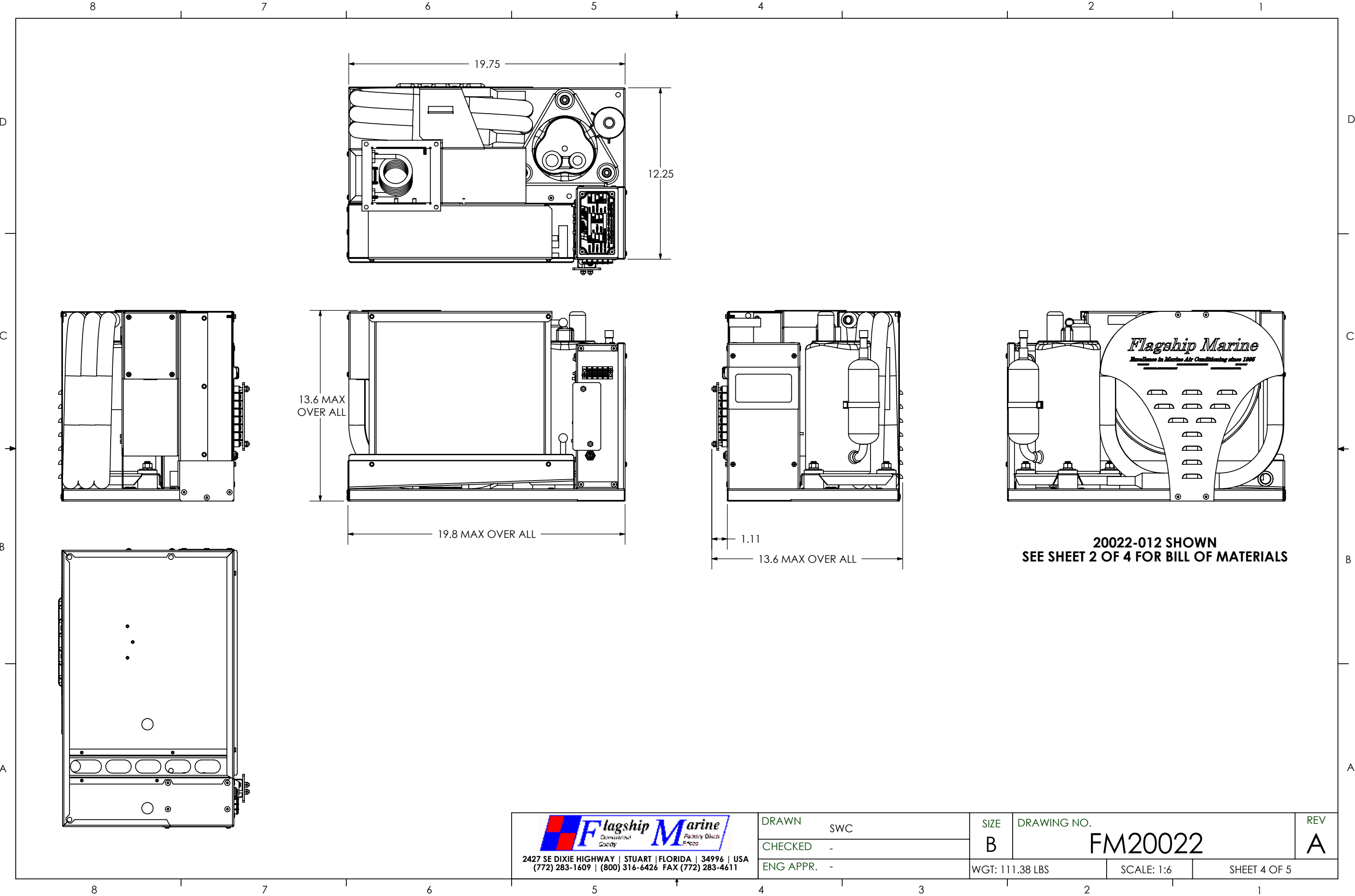
OLD PART NO. -

SCALE: 1:5 WGT: 111.38 LBS SHEET 2 OF 5



20022-011 SHOWN  
SEE SHEET 1 OF 4 FOR BILL OF MATERIALS

 2427 SE DIXIE HIGHWAY   STUART   FLORIDA   34996   USA (772) 283-1609   (800) 316-6426 FAX (772) 283-4611	DRAWN	SWC	SIZE	DRAWING NO.	REV
	CHECKED	-	B	FM20022	A
ENG APPR.	-	WGT: 101.71 LBS	SCALE: 1:6	SHEET 3 OF 5	



13.6 MAX  
OVER ALL

19.8 MAX OVER ALL

1.11  
13.6 MAX OVER ALL

**20022-012 SHOWN  
SEE SHEET 2 OF 4 FOR BILL OF MATERIALS**

**Flagship Marine**  
COMMERCIAL QUALITY PURELY DESIGN PRECISE

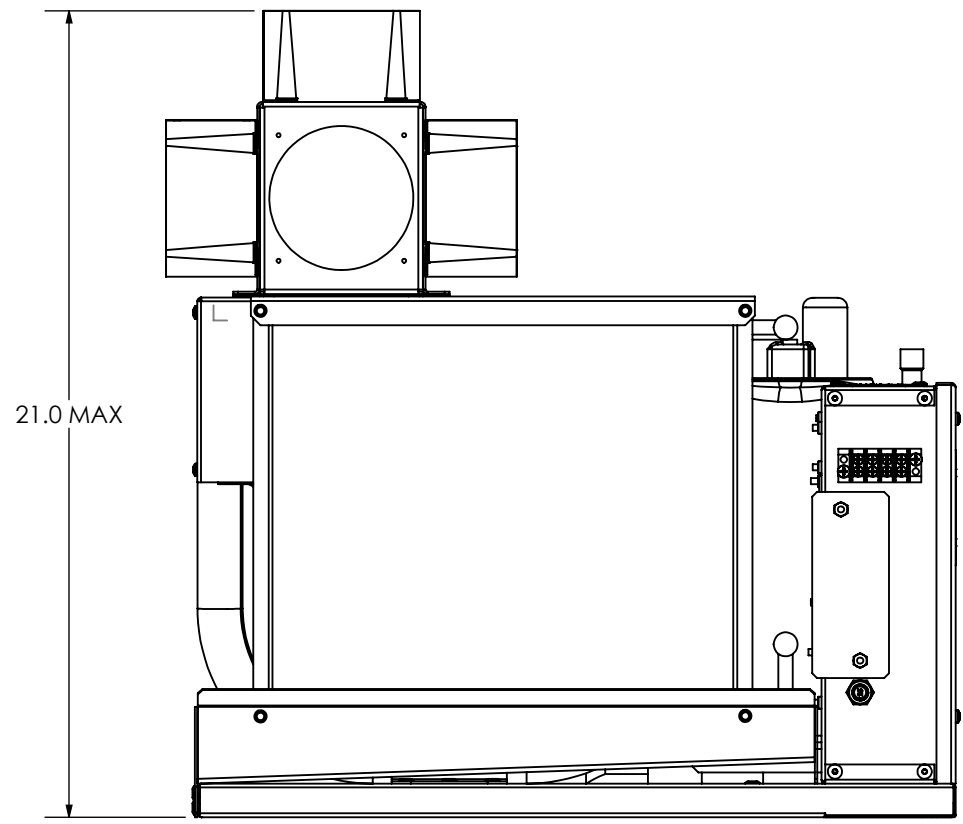
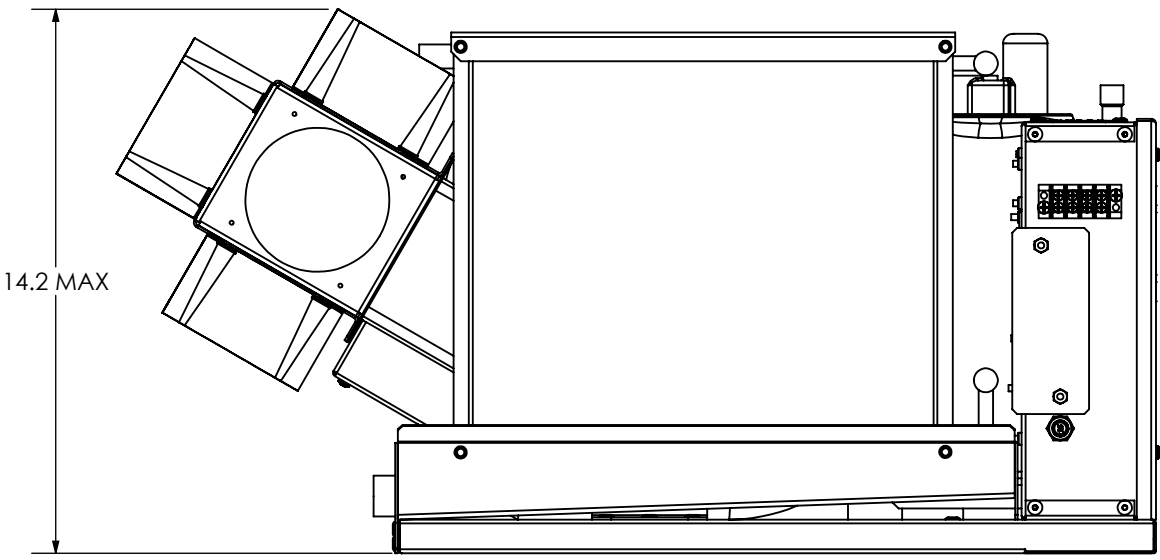
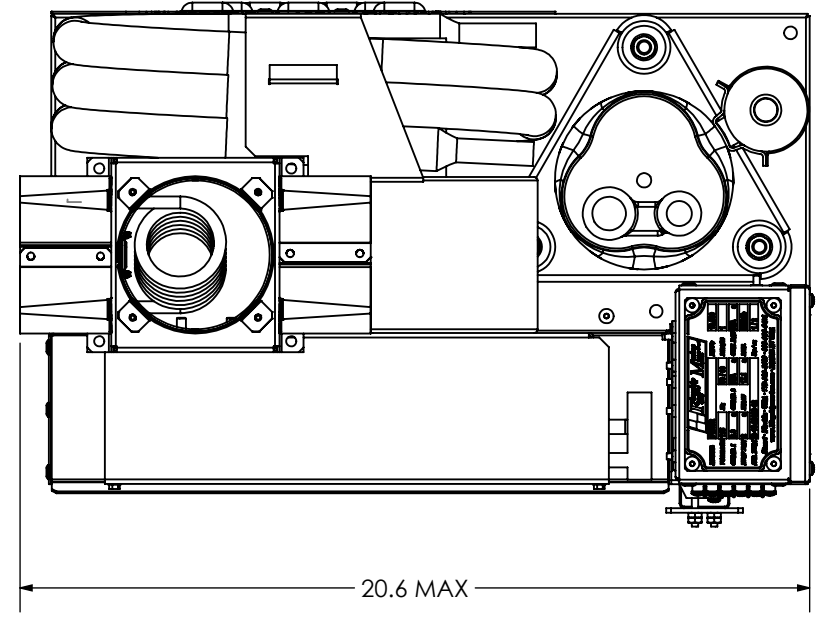
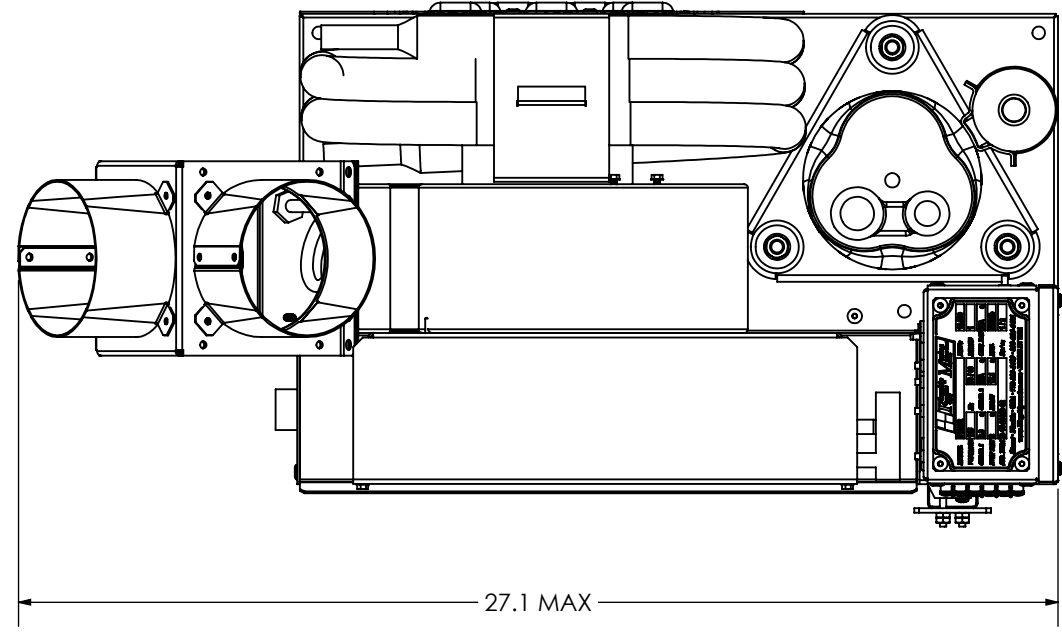
2427 SE DIXIE HIGHWAY | STUART | FLORIDA | 34996 | USA  
 (772) 283-1609 | (800) 316-6426 FAX (772) 283-4611

DRAWN	SWC	SIZE	DRAWING NO.		REV
CHECKED	-	B	FM20022		A
ENG APPR.	-	WGT: 111.38 LBS	SCALE: 1:6	SHEET 4 OF 5	

8 7 6 5 4 2 1

D  
C  
B  
A

D  
C  
B  
A



**20022-011**  
**SHOWN WITH OPTIONAL PLENUM & DISCHARGE RINGS**  
**FOR DIMENTIONAL REFERENCE ONLY**

**20022-012**  
**SHOWN WITH OPTIONAL PLENUM & DISCHARGE RINGS**  
**FOR DIMENTIONAL REFERENCE ONLY**

2427 SE DIXIE HIGHWAY | STUART | FLORIDA | 34996 | USA  
 (772) 283-1609 | (800) 316-6426 FAX (772) 283-4611

DRAWN	SWC	SIZE	DRAWING NO.	REV
CHECKED	-	B	FM20022	A
ENG APPR.	-	WGT: 102.31 LBS	SCALE: 1:6	SHEET 5 OF 5

8 7 6 5 4 3 2 1