

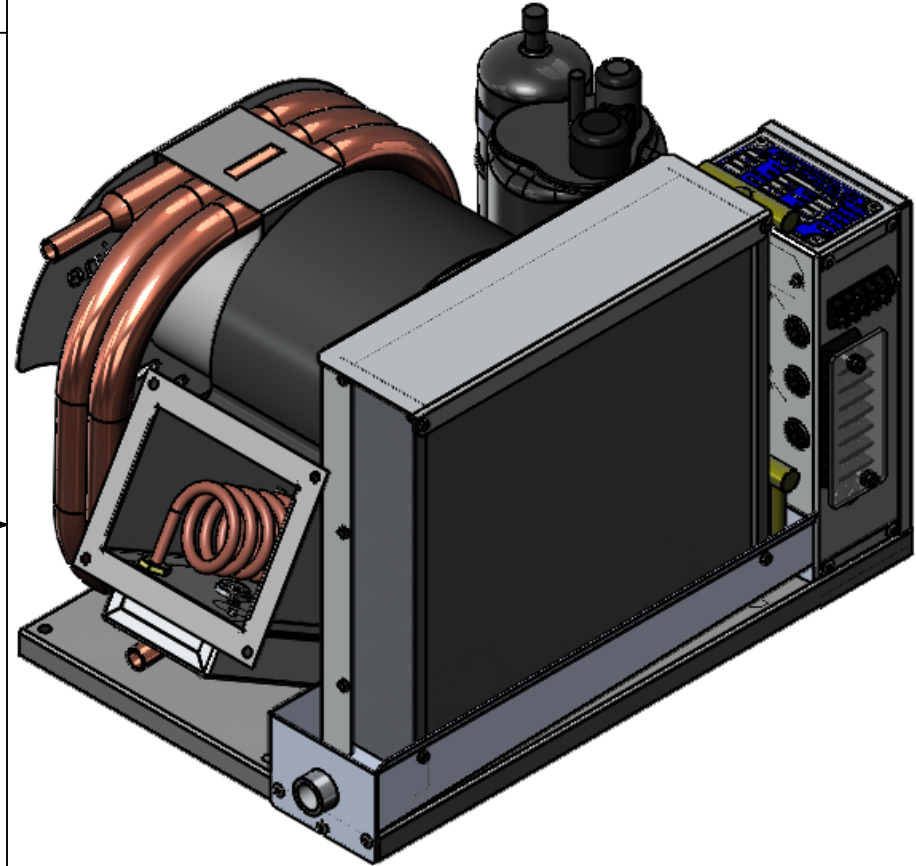
PART NUMBER	DESCRIPTION
20023-001	ASSEMBLY, AIR CONDITIONER FM16R, 120V SIDE
20023-011	ASSEMBLY, AIR CONDITIONER FM16R, 120V SIDE, WITH OPTIONAL HEAT
20023-101	ASSEMBLY, AIR CONDITIONER FM16R, 230V SIDE
20023-111	ASSEMBLY, AIR CONDITIONER FM16R, 230V SIDE, WITH OPTIONAL HEAT

FLAGSHIP MARINE, INC.				
REV.	ZONE	DESCRIPTION	DATE	ENG APPROVAL
08		ADDED SHEET 5 OF 5 (SHOWN WITH PLENUM & DISCHARGE RINGS)	2/12/2014	
09		80901-001 WAS 80023-001; 80901-002 WAS 80023-002; 70904-001 WAS 70111-001; 70904-002 WAS 70111-002	5/13/2014	
A		RELEASED FOR MANUFACTURING	7/16/2014	

- 3. NO SHARP EDGES PERMITTED.
- 2. PREFERRED LIMITS AND FITS PER ANSI B4.1 (INCHES).
- 1. DIMENSIONING & TOLERANCING PER ASME Y14.5M.

NOTES:

30	hex nut_ai		3	3	3	3
29	lock washer spring regular_ai		3	3	3	3
28	60657-001	WASHER, SPLIT LOCK, M6, SS	4	4	4	4
27	60656-001	BOLT, M6 X 1.0 X 12, SS	4	4	4	4
26	80901-001	WELDMENT, DRY DRAIN PAN, EVAPORATOR, AIR CONDITIONER, FM12, FM16 & FM18R, SIDE	1	1	1	1
25	80025-001	WELDMENT, BASE, AIR CONDITIONER, FM16R & FM18R	1	1	1	1
24	70904-001	FABRICATION, SHROUD, EVAPORATOR, AIR CONDITIONER, FM16R & FM18R, SIDE	1	1	1	1
23	70105-002	FABRICATION, BRACKET, CONDENSER, AIR CONDITIONER, FM16R & FM18R, SIDE	1	1	1	1
22	70099-001	FABRICATION, SUPPORT, BASE, AIR CONDITIONER, FM16R & FM18R	1	1	1	1
21	70098-001	FABRICATION, BRACKET, BLOWER, AIR CONDITIONER, FM12R, FM16R & FM18R	1	1	1	1
20	70091-001	DETAIL, PLATE, DECORATIVE CONDENSER COVER, FM12R /FM16R / FM18R	1	1	1	1
19	70086-001	FABRICATION, LID, ENCLOSURE, HEATER COIL, AIR CONDITIONER, FM9R - FM20R	-	1	1	-
18	70085-001	FABRICATION, ENCLOSURE, HEATER COIL, AIR CONDITIONER, FM9R - FM20R	-	1	1	-
17	60534-001	WASHER, 3/8 X 1 1/4 FENDER WASHER, 18-8 SS	3	3	3	3
16	60533-001	RIVET, 3/16" DIA. .062-.125" GRIP RANGE, SSB6-2S	21	21	21	21
15	60527-001	SELF TAP, #8 X 1/2 HWH SELF DRILL 18-8 SS	16	20	20	16
14	60517-001	SCREW, #8-32 X 3/8" PAN HEAD MACHINE SCREW, #2 DRIVE PHILLIPS, 18-8 SS	-	4	4	-
13	60248-001	COMPRESSOR, 1PH, 60 Hz, 230V	-	-	1	1
12	60247-001	COMPRESSOR, 1PH, 60 Hz, 115V	1	1	-	-
11	60212-001	EVAPORATOR, 18000 MBTU, 12HX12W, 3 ROW	1	1	1	1
10	60131-001	GROMMET, 11/16" PUSH-IN LOCKING, NYLON	-	1	1	-
9	60071-001	STANDOFF, .385 ID X 1.406 OD X 1.00 THK, 70 DURO EPDM BLACK	3	3	3	3
8	60070-001	WASHER, .385 ID X 1.406 OD X .25 THK, 60 DURO EPDM BLACK	3	3	3	3
7	60062-001	THERMAL LIMIT SWITCH, 130 DEGREE	-	1	1	-
6	60032-002	HEATER ELEMENT, COIL, 45"L, 8MM, 2000W, 240VAC, DBL END THRD BULKHEAD	-	-	1	-
5	60032-001	HEATER ELEMENT, COIL, 45"L, 8MM, 2000W, 120VAC, DBL END THRD BULKHEAD	-	1	-	-
4	60010-001	BLOWER, PSC, SHADED POLE, 1TDT3, 230V	-	-	1	1
3	60006-001	BLOWER, PSC, SHADED POLE, 1TDT2, 115V	1	1	-	-
2	50003-001	FABRICATION, TUBING, AIR CONDITIONER, FM12R / FM16R / FM18R	1	1	1	1
1	20015-001	ASSEMBLY, CONTROL BOX, SELF CONTAINED, A/C, UNIVERSAL	1	1	1	1



20023-011 SHOWN
SEE SHEET 3 OF 4 FOR DIMENSIONS

ITEM NO.	PART NUMBER	DESCRIPTION	20023-001/QTY.	20023-011/QTY.	20023-111/QTY.	20023-101/QTY.
----------	-------------	-------------	----------------	----------------	----------------	----------------

FLAGSHIP MARINE, INC. BILL OF MATERIALS

Flagship Marine
 FLAGSHIP MARINE, INC.
 2427 SE DIXIE HIGHWAY
 STUART | FLORIDA | 34996 | USA
 (772) 283-1609 | (800) 316-6426
 FAX (772) 283-4611

PROPRIETARY AND CONFIDENTIAL
 THIS DOCUMENT CONTAINS INFORMATION PROPRIETARY TO FLAGSHIP MARINE, INC. NO PART MAY BE REPRODUCED, USED IN ANY FORM, OR STORED ELECTRONICALLY WITHOUT THE WRITTEN PERMISSION OF FLAGSHIP MARINE, INC.

UNLESS OTHERWISE SPECIFIED:		NAME	DATE
DIMENSIONS ARE IN INCHES		DRAWN	SWC 8/2/2010
TOLERANCES:		CHECKED	TCM -
FRACTIONS ± 1/32		ENG APPR.	TCM -
ANG: MACH ± 0°30' BEND ± 2°		MFG APPR.	TCM -
DECIMALS .XX ± .01		Q.A.	EAS -
.XXX ± .005		PERP	∟ .003/IN
HOLE Ø .XX ± .005		STRAIGHTNESS	— .005/IN
INTERPRET GEOMETRIC TOLERANCING PER: ASME Y14.5M		FLATNESS	∕ .005/IN
MATERIAL		THREADS:	EXTERNAL - CLASS 2A
FINISH		INTERNAL - CLASS 2B	∕ U.O.S
NONE		MACHINED SURFACES:	∕ U.O.S
NEXT ASSY	USED ON		
APPLICATION		DO NOT SCALE DRAWING	

TITLE: ASSEMBLY, AIR CONDITIONER FM16R, SIDE

PART NO. 20023-XX1

SIZE **B** DWG. NO. **FM20023** REV **A**

OLD PART NO. -

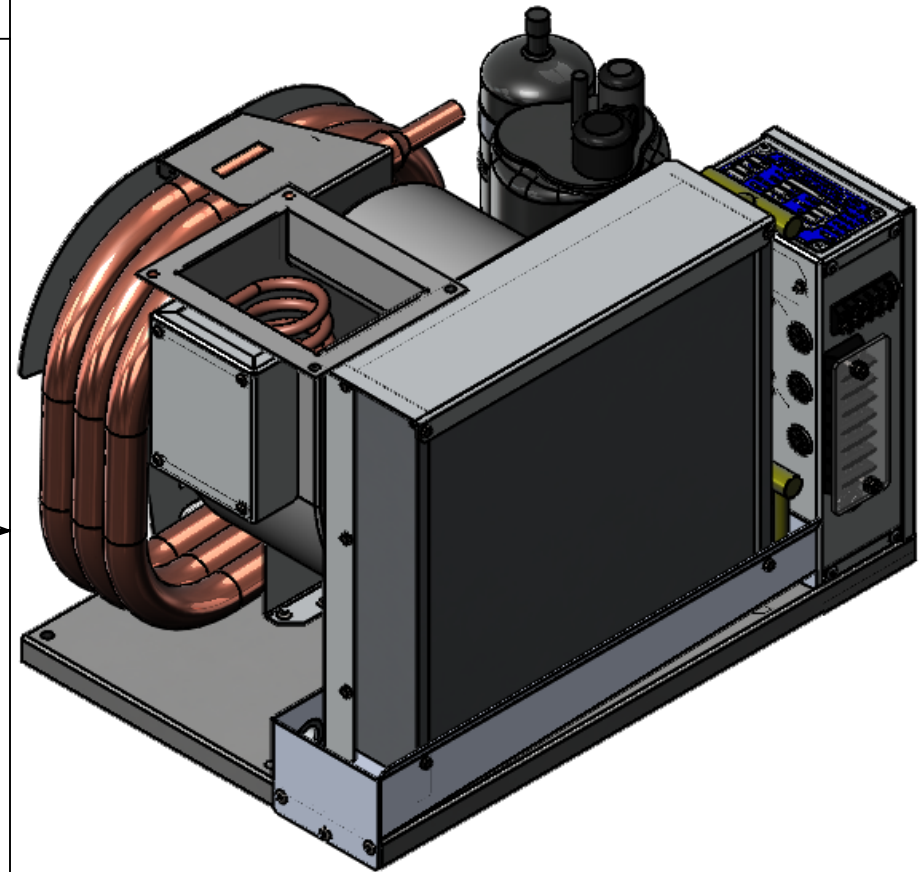
SCALE: 1:5 WGT: 123.59 LBS SHEET 1 OF 5

PART NUMBER	DESCRIPTION
20023-002	ASSEMBLY, AIR CONDITIONER FM16R, 120V TOP
20023-012	ASSEMBLY, AIR CONDITIONER FM16R, 120V TOP, WITH OPTIONAL HEAT
20023-102	ASSEMBLY, AIR CONDITIONER FM16R, 230V TOP
20023-112	ASSEMBLY, AIR CONDITIONER FM16R, 230V TOP, WITH OPTIONAL HEAT

- 3. NO SHARP EDGES PERMITTED.
- 2. PREFERRED LIMITS AND FITS PER ANSI B4.1 (INCHES).
- 1. DIMENSIONING & TOLERANCING PER ASME Y14.5M.

NOTES:

30	hex nut_ai		3	3	3	3
29	lock washer spring regular_ai		3	3	3	3
28	60656-001	BOLT, M6 X 1.0 X 12, SS	4	4	4	4
27	60657-001	WASHER, SPLIT LOCK, M6, SS	4	4	4	4
26	60247-001	COMPRESSOR, 1PH, 60 Hz, 115V	1	1	-	-
25	60006-001	BLOWER, PSC, SHADED POLE, 1TDT2, 115V	1	1	-	-
24	80901-002	WELDMENT, DRY DRAIN PAN, EVAPORATOR, AIR CONDITIONER, FM12, FM16 & FM18R, TOP	1	1	1	1
23	80025-001	WELDMENT, BASE, AIR CONDITIONER, FM16R & FM18R	1	1	1	1
22	70904-002	FABRICATION, SHROUD, EVAPORATOR, AIR CONDITIONER, FM16R & FM18R, TOP	1	1	1	1
21	70106-002	FABRICATION, BRACKET, CONDENSER, AIR CONDITIONER, FM16R & FM18R, TOP	1	1	1	1
20	70099-001	FABRICATION, SUPPORT, BASE, AIR CONDITIONER, FM16R & FM18R	1	1	1	1
19	70098-001	FABRICATION, BRACKET, BLOWER, AIR CONDITIONER, FM12R, FM16R & FM18R	1	1	1	1
18	70091-001	DETAIL, PLATE, DECORATIVE CONDENSER COVER, FM12R /FM16R / FM18R	1	1	1	1
17	70086-001	FABRICATION, LID, ENCLOSURE, HEATER COIL, AIR CONDITIONER, FM9R - FM20R	1	-	-	1
16	70085-001	FABRICATION, ENCLOSURE, HEATER COIL, AIR CONDITIONER, FM9R - FM20R	1	-	-	1
15	60534-001	WASHER, 3/8 X 1 1/4 FENDER WASHER, 18-8 SS	3	3	3	3
14	60533-001	RIVET, 3/16" DIA. .062-.125" GRIP RANGE, SSB6-2S	21	21	21	21
13	60527-001	SELF TAP, #8 X 1/2 HWH SELF DRILL 18-8 SS	20	16	16	20
12	60517-001	SCREW, #8-32 X 3/8" PAN HEAD MACHINE SCREW, #2 DRIVE PHILLIPS, 18-8 SS	4	-	-	4
11	60248-001	COMPRESSOR, 1PH, 60 Hz, 230V	-	-	1	1
10	60212-001	EVAPORATOR, 18000 MBTU, 12HX12W, 3 ROW	1	1	1	1
9	60131-001	GROMMET, 11/16" PUSH-IN LOCKING, NYLON	1	-	-	1
8	60071-001	STANDOFF, .385 ID X 1.406 OD X 1.00 THK, 70 DURO EPDM BLACK	3	3	3	3
7	60070-001	WASHER, .385 ID X 1.406 OD X .25 THK, 60 DURO EPDM BLACK	3	3	3	3
6	60062-001	THERMAL LIMIT SWITCH, 130 DEGREE	1	-	-	1
5	60032-002	HEATER ELEMENT, COIL, 45"L, 8MM, 2000W, 240VAC, DBL END THRD BULKHEAD	-	-	-	1
4	60032-001	HEATER ELEMENT, COIL, 45"L, 8MM, 2000W, 120VAC, DBL END THRD BULKHEAD	1	-	-	-
3	60010-001	BLOWER, PSC, SHADED POLE, 1TDT3, 230V	-	-	1	1
2	50003-001	FABRICATION, TUBING, AIR CONDITIONER, FM12R / FM16R / FM18R	1	1	1	1
1	20015-001	ASSEMBLY, CONTROL BOX, SELF CONTAINED, A/C, UNIVERSAL	1	1	1	1



20023-012 SHOWN
SEE SHEET 4 OF 4 FOR DIMENSIONS

ITEM NO.	PART NUMBER	DESCRIPTION	20023-012/QTY.	20023-002/QTY.	20023-102/QTY.	20023-112/QTY.
----------	-------------	-------------	----------------	----------------	----------------	----------------

FLAGSHIP MARINE, INC. BILL OF MATERIALS

Flagship Marine
 FLAGSHIP MARINE, INC.
 2427 SE DIXIE HIGHWAY
 STUART | FLORIDA | 34996 | USA
 (772) 283-1609 | (800) 316-6426
 FAX (772) 283-4611

PROPRIETARY AND CONFIDENTIAL
 THIS DOCUMENT CONTAINS INFORMATION PROPRIETARY TO FLAGSHIP MARINE, INC. NO PART MAY BE REPRODUCED, USED IN ANY FORM, OR STORED ELECTRONICALLY WITHOUT THE WRITTEN PERMISSION OF FLAGSHIP MARINE, INC.

UNLESS OTHERWISE SPECIFIED:		NAME	DATE
DIMENSIONS ARE IN INCHES		DRAWN	SWC 8/2/2010
TOLERANCES:		CHECKED	TCM -
FRACTIONS ± 1/32		ENG APPR.	TCM -
ANG: MACH ± 0°30' BEND ± 2°		MFG APPR.	TCM -
DECIMALS .XX ± .01		Q.A.	EAS -
.XXX ± .005		PERP STRAIGHTNESS ± .003/IN	
HOLE Ø .XX ± .005		FLATNESS ± .005/IN	
INTERPRET GEOMETRIC TOLERANCING PER: ASME Y14.5M		THREADS:	
MATERIAL		EXTERNAL - CLASS 2A	
FINISH		INTERNAL - CLASS 2B	
NONE		MACHINED SURFACES: ✓ U.O.S	
NEXT ASSY	USED ON		
APPLICATION		DO NOT SCALE DRAWING	

TITLE: ASSEMBLY, AIR CONDITIONER FM16R, TOP

PART NO. 20023-XX2

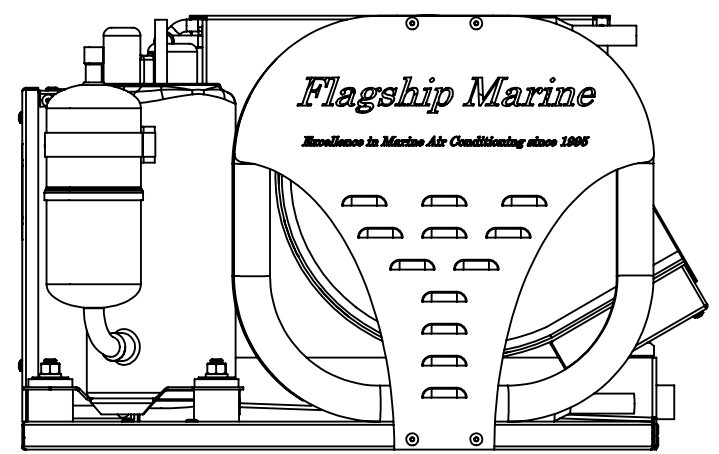
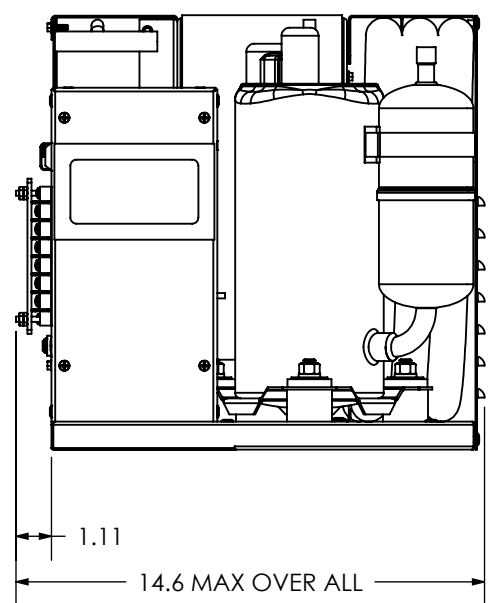
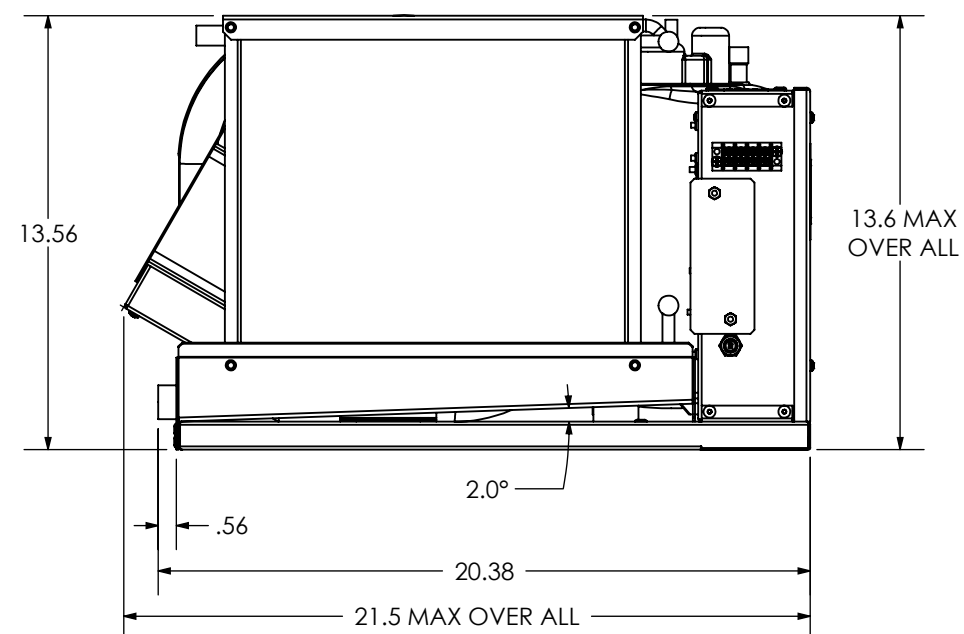
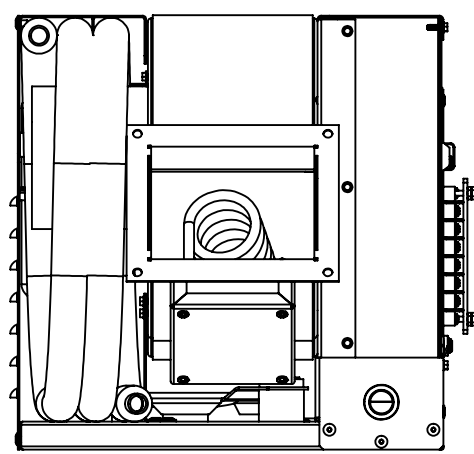
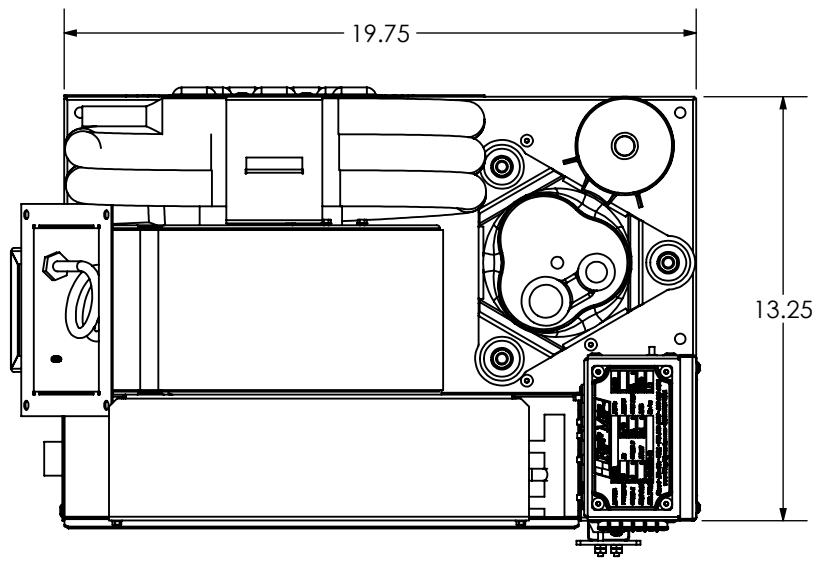
SIZE DWG. NO. REV
B FM20023 **A**

OLD PART NO. -

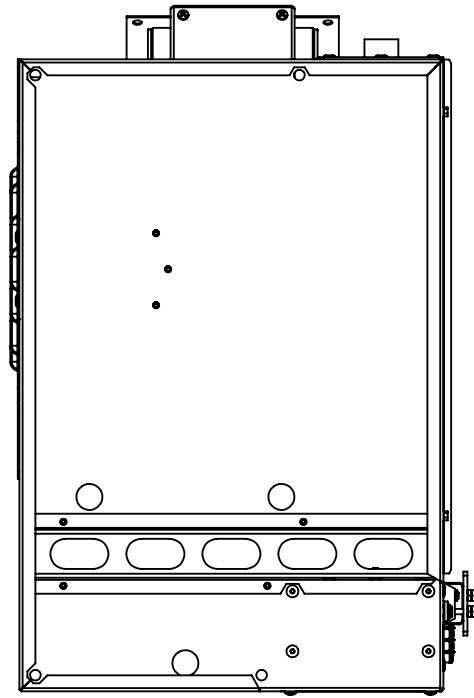
SCALE: 1:5 WGT: 123.82 LBS SHEET 2 OF 5

8 7 6 5 4 3 2 1

D
C
B
A



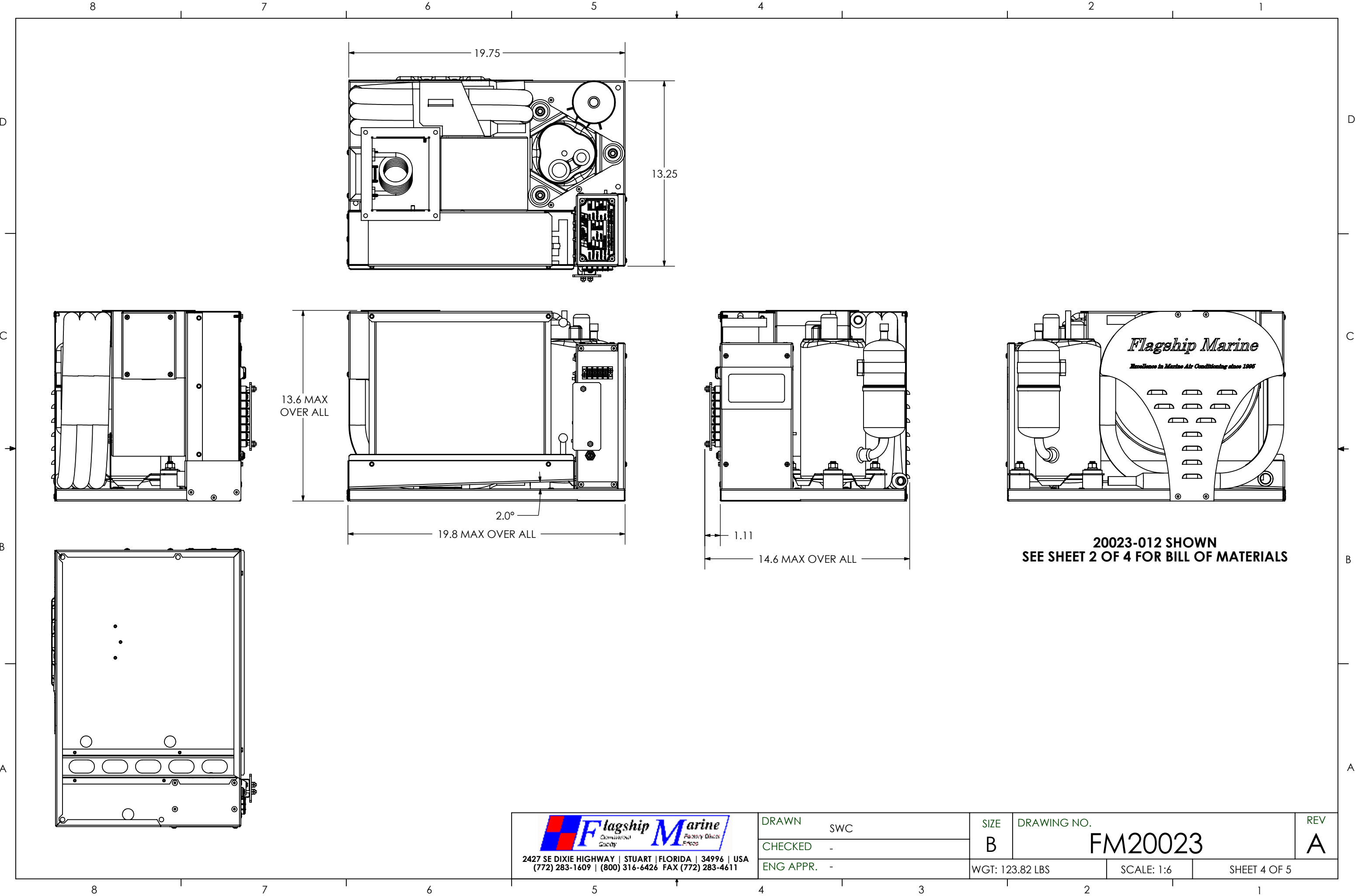
20023-011 SHOWN
SEE SHEET 1 OF 4 FOR BILL OF MATERIALS



A

8 7 6 5 4 3 2 1

 2427 SE DIXIE HIGHWAY STUART FLORIDA 34996 USA (772) 283-1609 (800) 316-6426 FAX (772) 283-4611	DRAWN	SWC	SIZE	DRAWING NO.	REV
	CHECKED	-	B	FM20023	A
	ENG APPR.	-	WGT: 123.59 LBS	SCALE: 1:6	SHEET 3 OF 5



Flagship Marine
COMMERCIAL QUALITY PERFORMANCE PRECISION

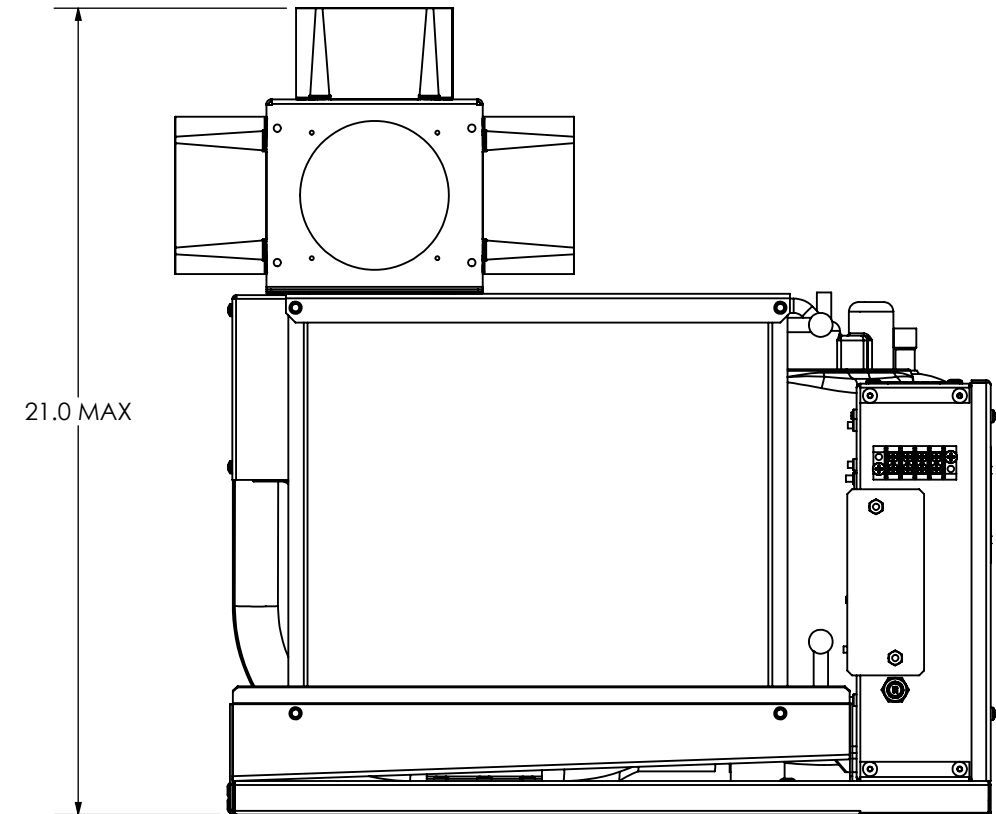
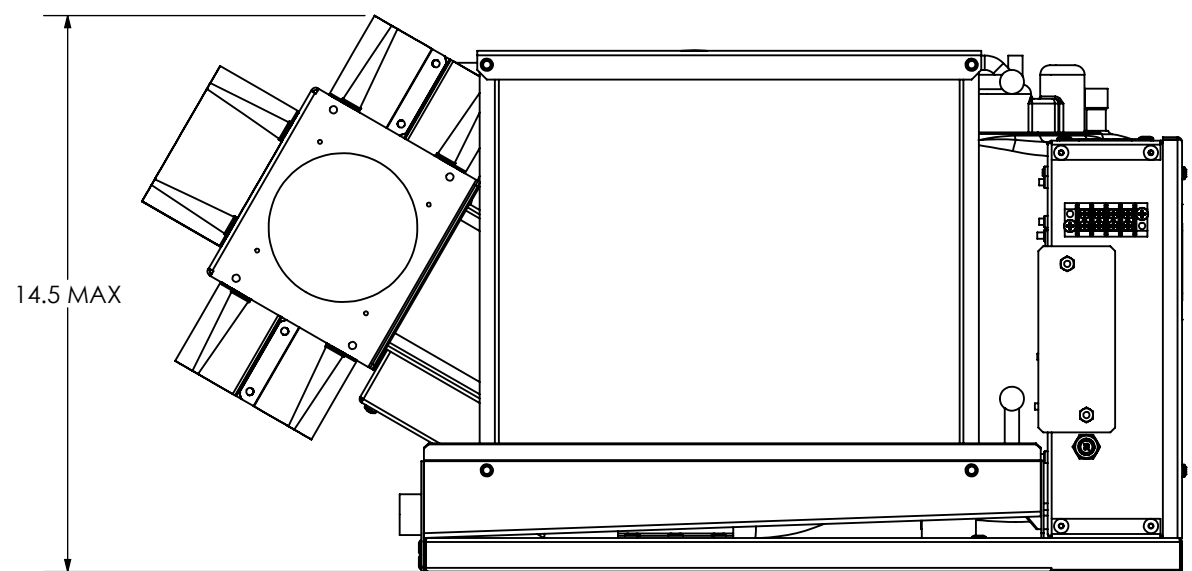
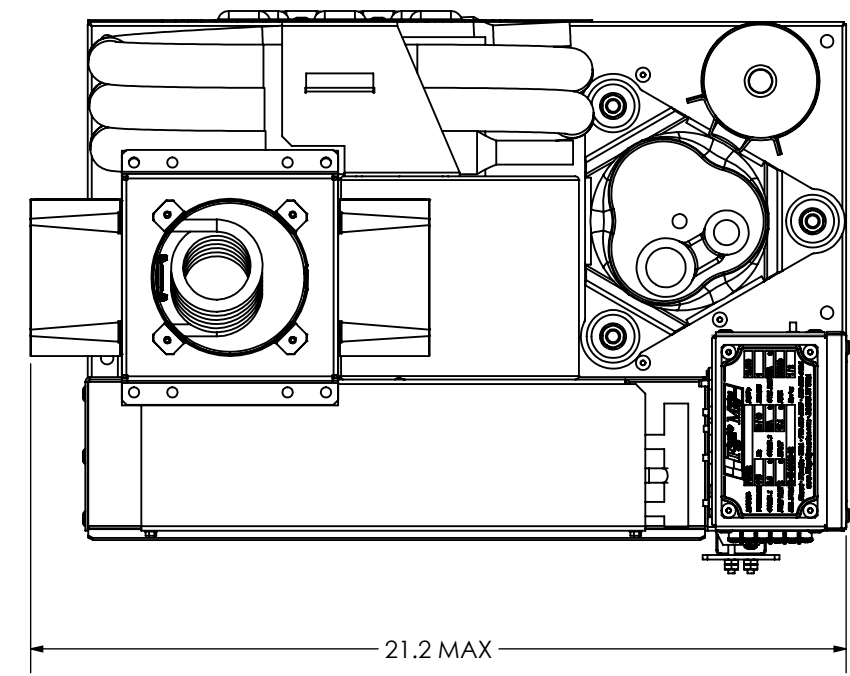
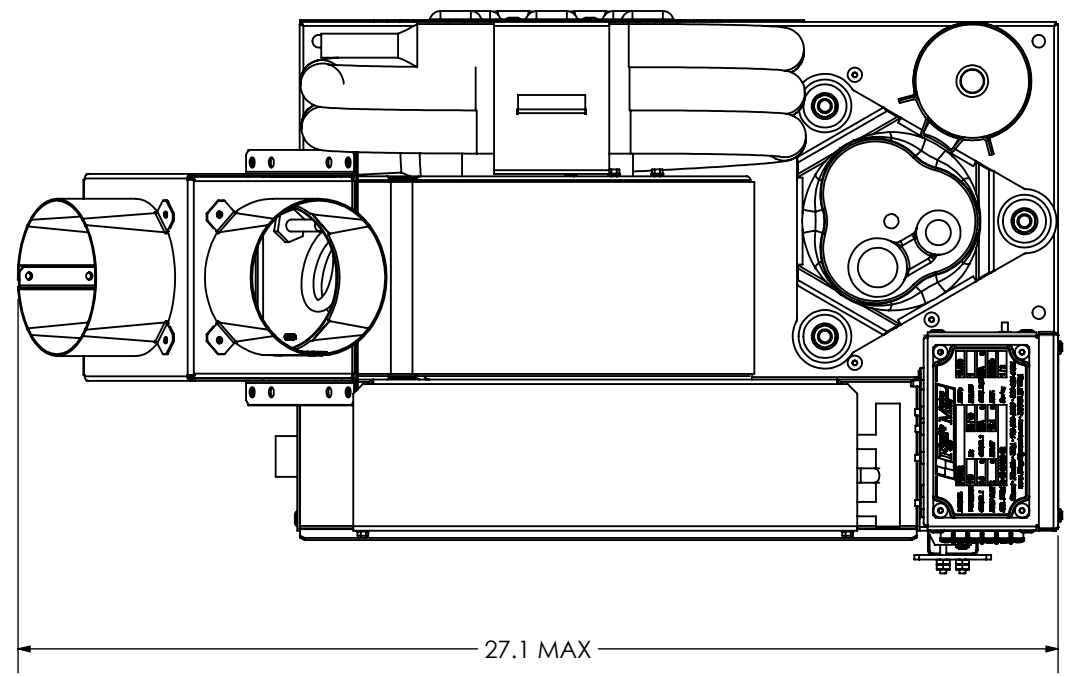
2427 SE DIXIE HIGHWAY | STUART | FLORIDA | 34996 | USA
 (772) 283-1609 | (800) 316-6426 FAX (772) 283-4611

DRAWN	SWC	SIZE	DRAWING NO.	REV
CHECKED	-	B	FM20023	A
ENG APPR.	-	WGT: 123.82 LBS	SCALE: 1:6	SHEET 4 OF 5

8 7 6 5 4 3 2 1

D
C
B
A

D
C
B
A



20023-011
SHOWN WITH OPTIONAL PLENUM & DISCHARGE RINGS
FOR DIMENTIONAL REFERENCE ONLY

20023-012
SHOWN WITH OPTIONAL PLENUM & DISCHARGE RINGS
FOR DIMENTIONAL REFERENCE ONLY

 2427 SE DIXIE HIGHWAY STUART FLORIDA 34996 USA (772) 283-1609 (800) 316-6426 FAX (772) 283-4611	DRAWN SWC	SIZE B	DRAWING NO. FM20023	REV A
	CHECKED -	WGT: 124.25 LBS	SCALE: 1:6	SHEET 5 OF 5
ENG APPR. -				

8 7 6 5 4 3 2 1