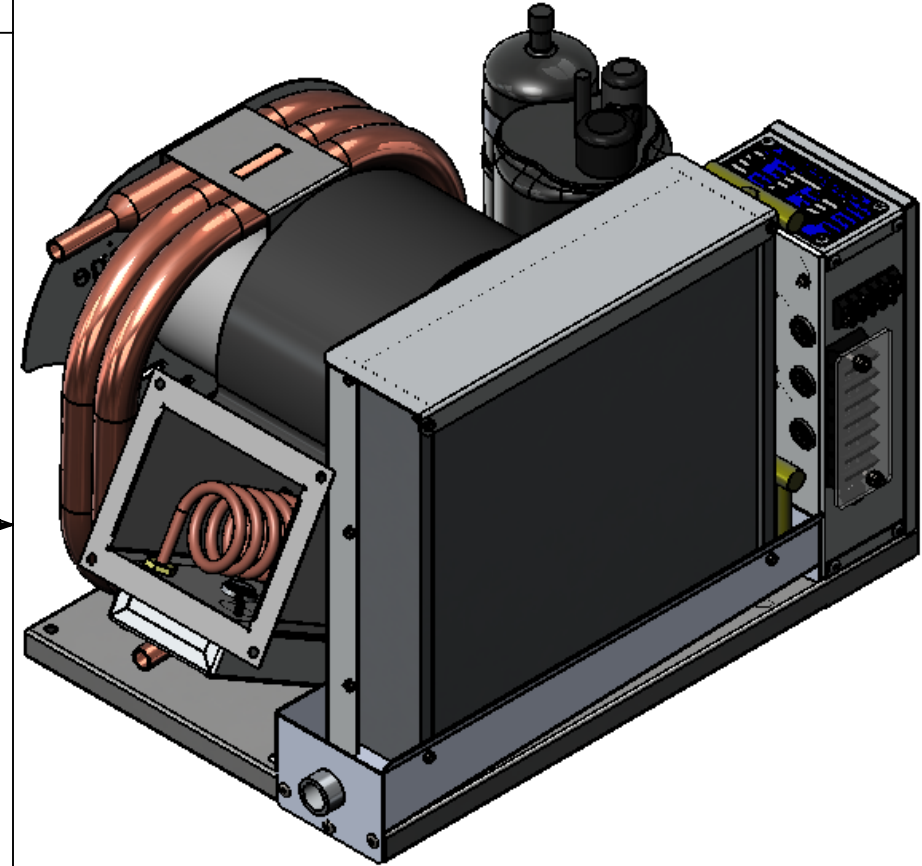


PART NUMBER	DESCRIPTION
20024-001	ASSEMBLY, AIR CONDITIONER FM18R, 120V SIDE
20024-011	ASSEMBLY, AIR CONDITIONER FM18R, 120V SIDE, WITH OPTIONAL HEAT
20024-101	ASSEMBLY, AIR CONDITIONER FM18R, 230V SIDE
20024-111	ASSEMBLY, AIR CONDITIONER FM18R, 230V SIDE, WITH OPTIONAL HEAT

FLAGSHIP MARINE, INC.				
REV.	ZONE	DESCRIPTION	DATE	ENG APPROVAL
04		ADDED SHEET 5 OF 5 (SHOWN WITH PLENUM & DISCHARGE RINGS)	2/12/2014	
05		80901-001 WAS 80023-001; 80901-002 WAS 80023-002; 70904-001 WAS 70111-001; 70904-002 WAS 70111-002	5/13/2014	
A		RELEASED FOR MANUFACTURING	7/16/2014	

30	hex nut_ai		3	2	3	3
29	lock washer spring regular_ai		3	3	3	3
28	60657-001	WASHER, SPLIT LOCK, M6, SS	4	4	4	4
27	60656-001	BOLT, M6 X 1.0 X 12, SS	4	4	4	4
26	80901-001	WELDMENT, DRY DRAIN PAN, EVAPORATOR, AIR CONDITIONER, FM12, FM16 & FM18R, SIDE	1	1	1	1
25	80025-001	WELDMENT, BASE, AIR CONDITIONER, FM16R & FM18R	1	1	1	1
24	70904-001	FABRICATION, SHROUD, EVAPORATOR, AIR CONDITIONER, FM16R & FM18R, SIDE	1	1	1	1
23	70105-002	FABRICATION, BRACKET, CONDENSER, AIR CONDITIONER, FM16R & FM18R, SIDE	1	1	1	1
22	70099-001	FABRICATION, SUPPORT, BASE, AIR CONDITIONER, FM16R & FM18R	1	1	1	1
21	70098-001	FABRICATION, BRACKET, BLOWER, AIR CONDITIONER, FM12R, FM16R & FM18R	1	1	1	1
20	70091-001	DETAIL, PLATE, DECORATIVE CONDENSER COVER, FM12R /FM16R / FM18R	1	1	1	1
19	70086-001	FABRICATION, LID, ENCLOSURE, HEATER COIL, AIR CONDITIONER, FM9R	-	1	1	-
18	70085-001	FABRICATION, ENCLOSURE, HEATER COIL, AIR CONDITIONER, FM9R	-	1	1	-
17	60534-001	WASHER, 3/8 X 1 1/4 FENDER WASHER, 18-8 SS	3	3	3	3
16	60533-001	RIVET, 3/16" DIA. .062-.125" GRIP RANGE, SSB6-2S	21	21	21	21
15	60527-001	SELF TAP, #8 X 1/2 HWH SELF DRILL 18-8 SS	16	20	20	16
14	60517-001	SCREW, #8-32 X 3/8" PAN HEAD MACHINE SCREW, #2 DRIVE PHILLIPS, 18-8 SS	-	4	4	-
13	60249-001	COMPRESSOR, 1PH, 60 Hz, 115V	1	1	-	-
12	60242-001	COMPRESSOR, 1PH, 60 Hz, 220V	-	-	1	1
11	60212-001	EVAPORATOR, 18000 MBTU, 12HX12W, 3 ROW	1	1	1	1
10	60131-001	GROMMET, 11/16" PUSH-IN LOCKING, NYLON	-	1	1	-
9	60071-001	STANDOFF, .385 ID X 1.406 OD X 1.00 THK, 70 DURO EPDM BLACK	3	3	3	3
8	60070-001	WASHER, .385 ID X 1.406 OD X .25 THK, 60 DURO EPDM BLACK	3	3	3	3
7	60062-001	THERMAL LIMIT SWITCH, 130 DEGREE	-	1	1	-
6	60032-002	HEATER ELEMENT, COIL, 45"L, 8MM, 2000W, 240VAC, DBL END THRD BULKHEAD	-	-	1	-
5	60032-001	HEATER ELEMENT, COIL, 45"L, 8MM, 2000W, 120VAC, DBL END THRD BULKHEAD	-	1	-	-
4	60010-001	BLOWER, PSC, SHADED POLE, 1TDT3, 230V	-	-	1	1
3	60006-001	BLOWER, PSC, SHADED POLE, 1TDT2, 115V	1	1	-	-
2	50003-001	FABRICATION, TUBING, AIR CONDITIONER, FM12R / FM16R / FM18R	1	1	1	1
1	20015-001	ASSEMBLY, CONTROL BOX, SELF CONTAINED, A/C, UNIVERSAL	1	1	1	1



**20024-011 SHOWN  
SEE SHEET 3 OF 4 FOR DIMENSIONS**

ITEM NO.	PART NUMBER	DESCRIPTION	20024-001/QTY.	20024-011/QTY.	20024-111/QTY.	20024-101/QTY.
----------	-------------	-------------	----------------	----------------	----------------	----------------

**FLAGSHIP MARINE, INC. BILL OF MATERIALS**

- NOTES:
- NO SHARP EDGES PERMITTED.
  - PREFERRED LIMITS AND FITS PER ANSI B4.1 (INCHES).
  - DIMENSIONING & TOLERANCING PER ASME Y14.5M.

**Flagship Marine**  
**FLAGSHIP MARINE, INC.**  
 2427 SE DIXIE HIGHWAY  
 STUART | FLORIDA | 34996 | USA  
 (772) 283-1609 | (800) 316-6426  
 FAX (772) 283-4611

**PROPRIETARY AND CONFIDENTIAL**  
 THIS DOCUMENT CONTAINS INFORMATION PROPRIETARY TO FLAGSHIP MARINE, INC. NO PART MAY BE REPRODUCED, USED IN ANY FORM, OR STORED ELECTRONICALLY WITHOUT THE WRITTEN PERMISSION OF FLAGSHIP MARINE, INC.

UNLESS OTHERWISE SPECIFIED:	NAME	DATE
DIMENSIONS ARE IN INCHES	DRAWN	SWC 8/2/2010
TOLERANCES:	CHECKED	TCM -
FRACTIONS ± 1/32	ENG APPR.	TCM -
ANG: MACH ± 0°30' BEND ± 2°	MFG APPR.	TCM -
DECIMALS .XX ± .01	Q.A.	EAS -
.XXX ± .005	PERP	.003/IN
HOLE Ø .XX ± .005	STRAIGHTNESS	.005/IN
INTERPRET GEOMETRIC TOLERANCING PER: ASME Y14.5M	FLATNESS	.005/IN
MATERIAL	THREADS:	EXTERNAL - CLASS 2A
FINISH	INTERNAL - CLASS 2B	U.O.S
NONE	MACHINED SURFACES:	U.O.S
APPLICATION	DO NOT SCALE DRAWING	

TITLE: **ASSEMBLY, AIR CONDITIONER FM18R, SIDE**

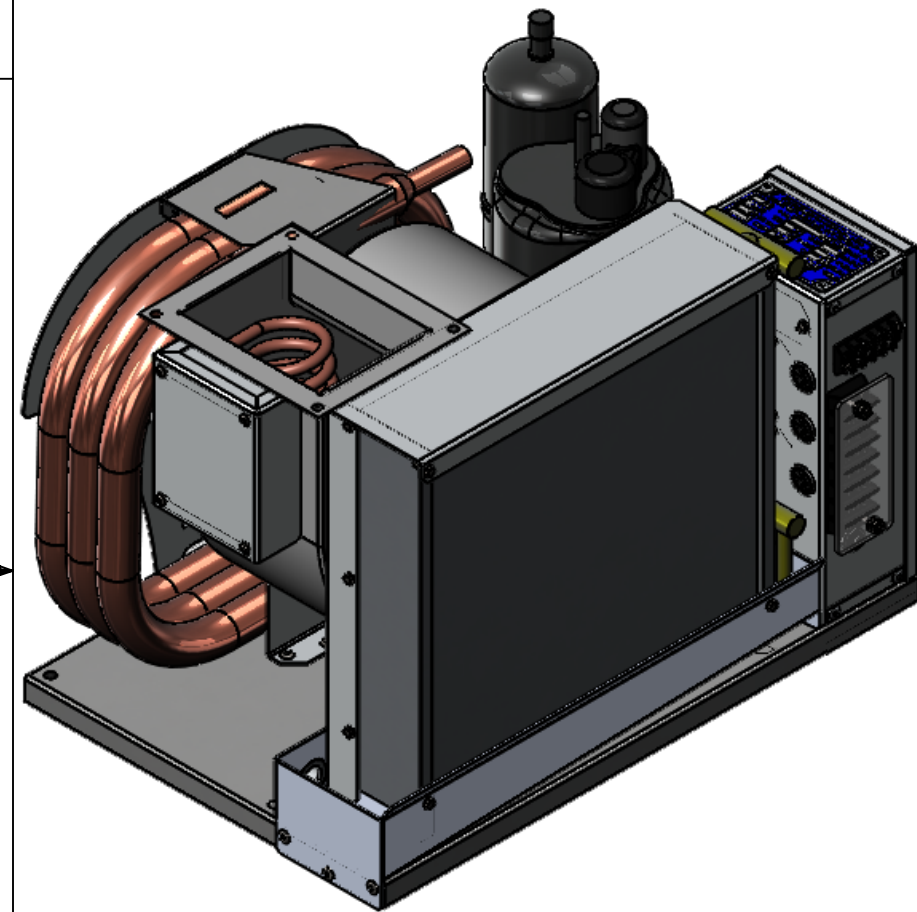
PART NO. **20024-XX1**

SIZE **B** DWG. NO. **FM20024** REV **A**

OLD PART NO. -

SCALE: 1:5 WGT: 123.59 LBS SHEET 1 OF 5

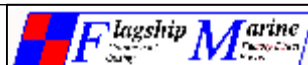
PART NUMBER	DESCRIPTION
20024-002	ASSEMBLY, AIR CONDITIONER FM18R, 120V TOP
20024-012	ASSEMBLY, AIR CONDITIONER FM18R, 120V TOP, WITH OPTIONAL HEAT
20024-102	ASSEMBLY, AIR CONDITIONER FM18R, 230V TOP
20024-112	ASSEMBLY, AIR CONDITIONER FM18R, 230V TOP, WITH OPTIONAL HEAT



**20024-012 SHOWN  
SEE SHEET 4 OF 4 FOR DIMENSIONS**

30	hex nut_ai		3	2	3	3
29	lock washer spring regular_ai		3	3	3	3
28	60657-001	WASHER, SPLIT LOCK, M6, SS	4	4	4	4
27	60656-001	BOLT, M6 X 1.0 X 12, SS	4	4	4	4
26	80901-002	WELDMENT, DRY DRAIN PAN, EVAPORATOR, AIR CONDITIONER, FM12, FM16 & FM18R, TOP	1	1	1	1
25	80025-001	WELDMENT, BASE, AIR CONDITIONER, FM16R & FM18R	1	1	1	1
24	70904-002	FABRICATION, SHROUD, EVAPORATOR, AIR CONDITIONER, FM16R & FM18R, TOP	1	1	1	1
23	70106-002	FABRICATION, BRACKET, CONDENSER, AIR CONDITIONER, FM16R & FM18R, TOP	1	1	1	1
22	70099-001	FABRICATION, SUPPORT, BASE, AIR CONDITIONER, FM16R & FM18R	1	1	1	1
21	70098-001	FABRICATION, BRACKET, BLOWER, AIR CONDITIONER, FM12R, FM16R & FM18R	1	1	1	1
20	70091-001	DETAIL, PLATE, DECORATIVE CONDENSER COVER, FM12R /FM16R / FM18R	1	1	1	1
19	70086-001	FABRICATION, LID, ENCLOSURE, HEATER COIL, AIR CONDITIONER, FM9R	1	-	-	1
18	70085-001	FABRICATION, ENCLOSURE, HEATER COIL, AIR CONDITIONER, FM9R	1	-	-	1
17	60534-001	WASHER, 3/8 X 1 1/4 FENDER WASHER, 18-8 SS	3	3	3	3
16	60533-001	RIVET, 3/16" DIA. .062-.125" GRIP RANGE, SSB6-2S	21	21	21	21
15	60527-001	SELF TAP, #8 X 1/2 HWH SELF DRILL 18-8 SS	20	16	16	20
14	60517-001	SCREW, #8-32 X 3/8" PAN HEAD MACHINE SCREW, #2 DRIVE PHILLIPS, 18-8 SS	4	-	-	4
13	60249-001	COMPRESSOR, 1PH, 60 Hz, 115V	1	1	-	-
12	60242-001	COMPRESSOR, 1PH, 60 Hz, 220V	-	-	1	1
11	60212-001	EVAPORATOR, 18000 MBTU, 12HX12W, 3 ROW	1	1	1	1
10	60131-001	GROMMET, 1 1/16" PUSH-IN LOCKING, NYLON	1	-	-	1
9	60071-001	STANDOFF, .385 ID X 1.406 OD X 1.00 THK, 70 DURO EPDM BLACK	3	3	3	3
8	60070-001	WASHER, .385 ID X 1.406 OD X .25 THK, 60 DURO EPDM BLACK	3	3	3	3
7	60062-001	THERMAL LIMIT SWITCH, 130 DEGREE	1	-	-	1
6	60032-002	HEATER ELEMENT, COIL, 45"L, 8MM, 2000W, 240VAC, DBL END THRD BULKHEAD	-	-	-	1
5	60032-001	HEATER ELEMENT, COIL, 45"L, 8MM, 2000W, 120VAC, DBL END THRD BULKHEAD	1	-	-	-
4	60010-001	BLOWER, PSC, SHADED POLE, 1TDT3, 230V	-	-	1	1
3	60006-001	BLOWER, PSC, SHADED POLE, 1TDT2, 115V	1	1	-	-
2	50003-001	FABRICATION, TUBING, AIR CONDITIONER, FM12R / FM16R / FM18R	1	1	1	1
1	20015-001	ASSEMBLY, CONTROL BOX, SELF CONTAINED, A/C, UNIVERSAL	1	1	1	1
<b>ITEM NO.</b>	<b>PART NUMBER</b>	<b>DESCRIPTION</b>	20024-012/QTY.	20024-002/QTY.	20024-102/QTY.	20024-112/QTY.

**FLAGSHIP MARINE, INC. BILL OF MATERIALS**



**FLAGSHIP MARINE, INC.**  
2427 SE DIXIE HIGHWAY  
STUART | FLORIDA | 34996 | USA  
(772) 283-1609 | (800) 316-6426  
FAX (772) 283-4611

**PROPRIETARY AND CONFIDENTIAL**

THIS DOCUMENT CONTAINS INFORMATION PROPRIETARY TO FLAGSHIP MARINE, INC. NO PART MAY BE REPRODUCED, USED IN ANY FORM, OR STORED ELECTRONICALLY WITHOUT THE WRITTEN PERMISSION OF FLAGSHIP MARINE, INC.

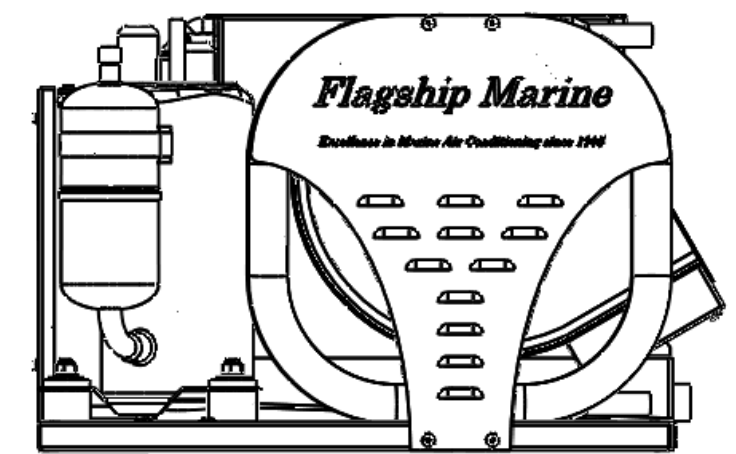
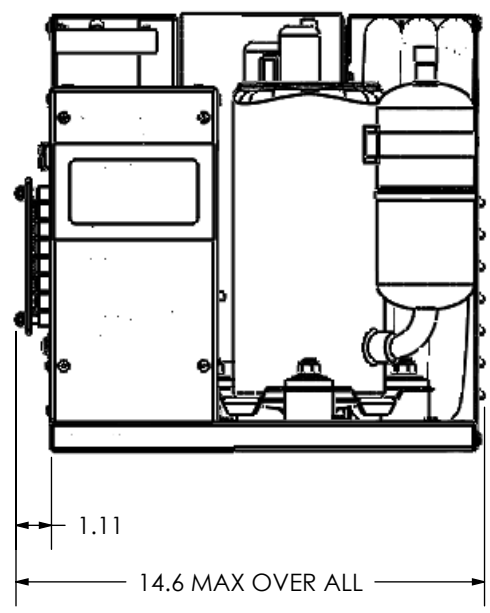
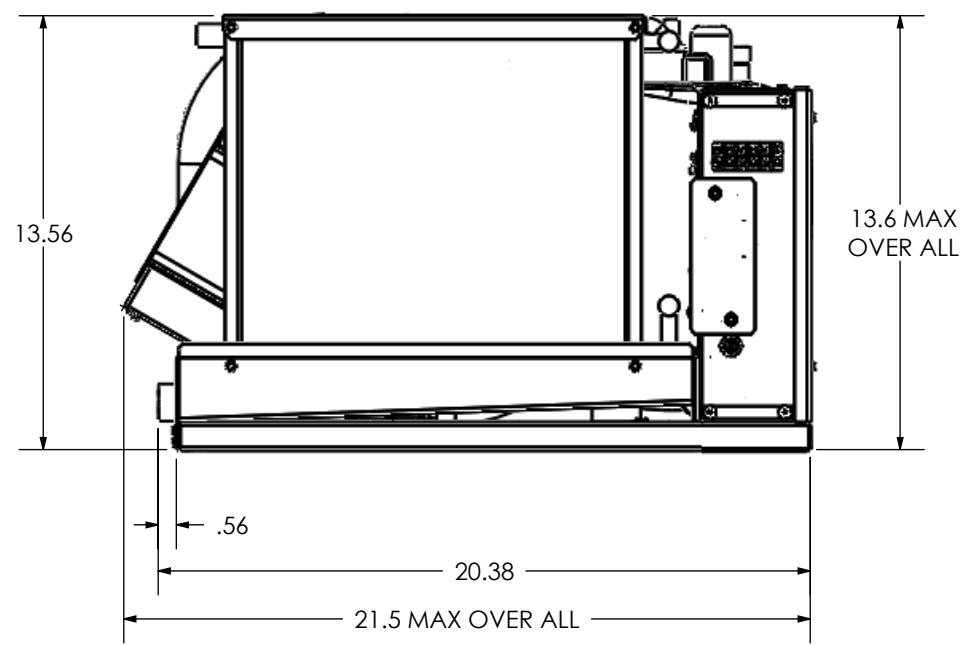
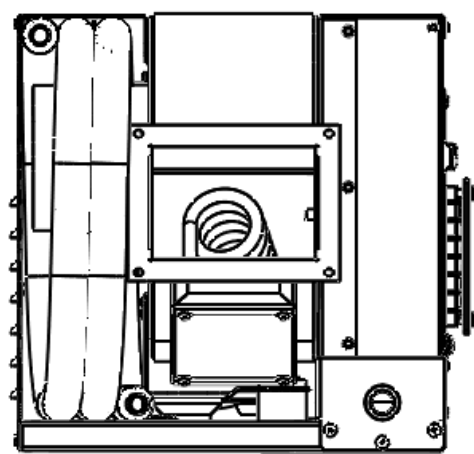
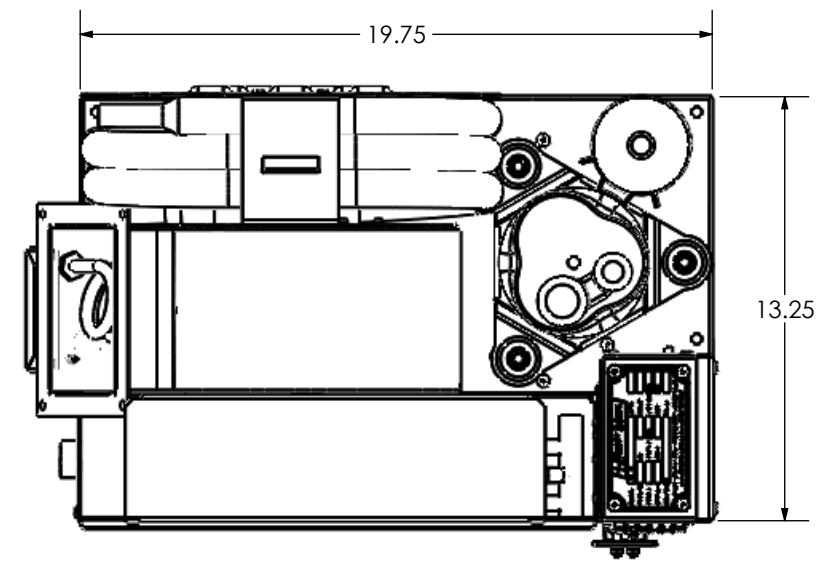
UNLESS OTHERWISE SPECIFIED:		NAME	DATE	TITLE: ASSEMBLY, AIR CONDITIONER FM18R, TOP	
DIMENSIONS ARE IN INCHES		DRAWN	SWC		8/2/2010
TOLERANCES:		CHECKED	TCM		-
FRACTIONS ± 1/32		ENG APPR.	TCM		-
ANG: MACH ± 0°30' BEND ± 2°		MFG APPR.	TCM	-	
DECIMALS .XX ± .01		Q.A.	EAS	-	
.XXX ± .005		PERP	∟	.003/IN	
HOLE Ø .XX ± .005		STRAIGHTNESS	∥	.005/IN	
INTERPRET GEOMETRIC TOLERANCING PER: ASME Y14.5M		FLATNESS	∇	.005/IN	
MATERIAL		THREADS:			
FINISH	NONE	EXTERNAL - CLASS 2A			
NEXT ASSY	USED ON	INTERNAL - CLASS 2B			
APPLICATION	DO NOT SCALE DRAWING	MACHINED SURFACES: √ U.O.S			

PART NO.	20024-XX2	
SIZE	DWG. NO.	REV
<b>B</b>	<b>FM20024</b>	<b>A</b>
OLD PART NO. -		
SCALE: 1:5	WGT: 125.94 LBS	SHEET 2 OF 5

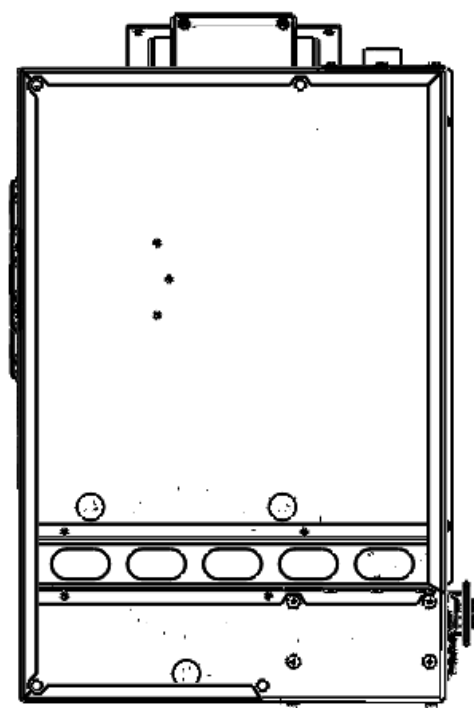
- NOTES:
- NO SHARP EDGES PERMITTED.
  - PREFERRED LIMITS AND FITS PER ANSI B4.1 (INCHES).
  - DIMENSIONING & TOLERANCING PER ASME Y14.5M.

8 7 6 5 4 2 1

D  
C  
B  
A

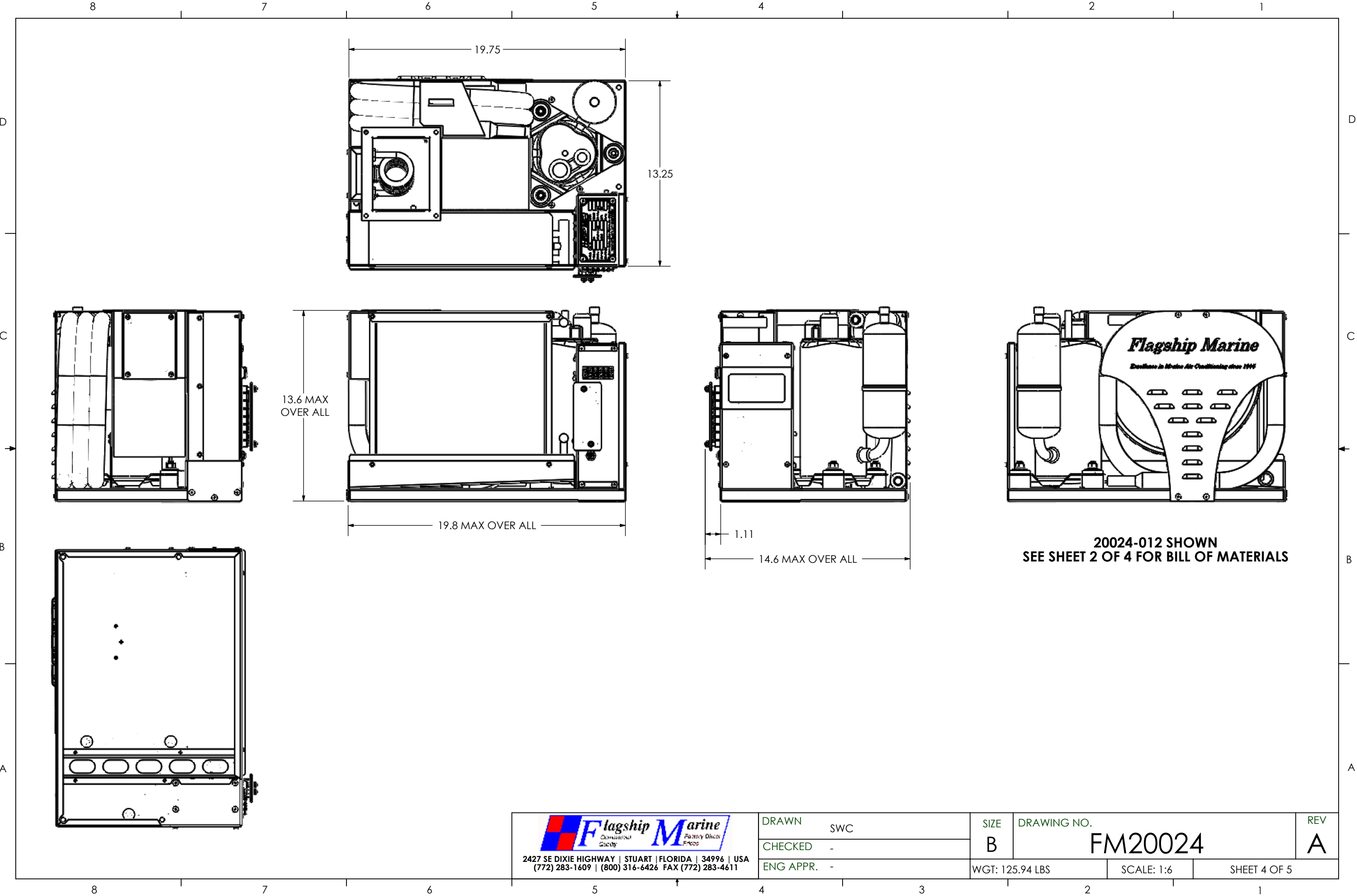


20024-011 SHOWN  
SEE SHEET 1 OF 4 FOR BILL OF MATERIALS



8 7 6 5 4 3 2 1

 2427 SE DIXIE HIGHWAY   STUART   FLORIDA   34996   USA (772) 283-1609   (800) 316-6426 FAX (772) 283-4611	DRAWN	SWC	SIZE	DRAWING NO.	REV
	CHECKED	-	B	FM20024	A
	ENG APPR.	-	WGT: 123.59 LBS	SCALE: 1:6	SHEET 3 OF 5



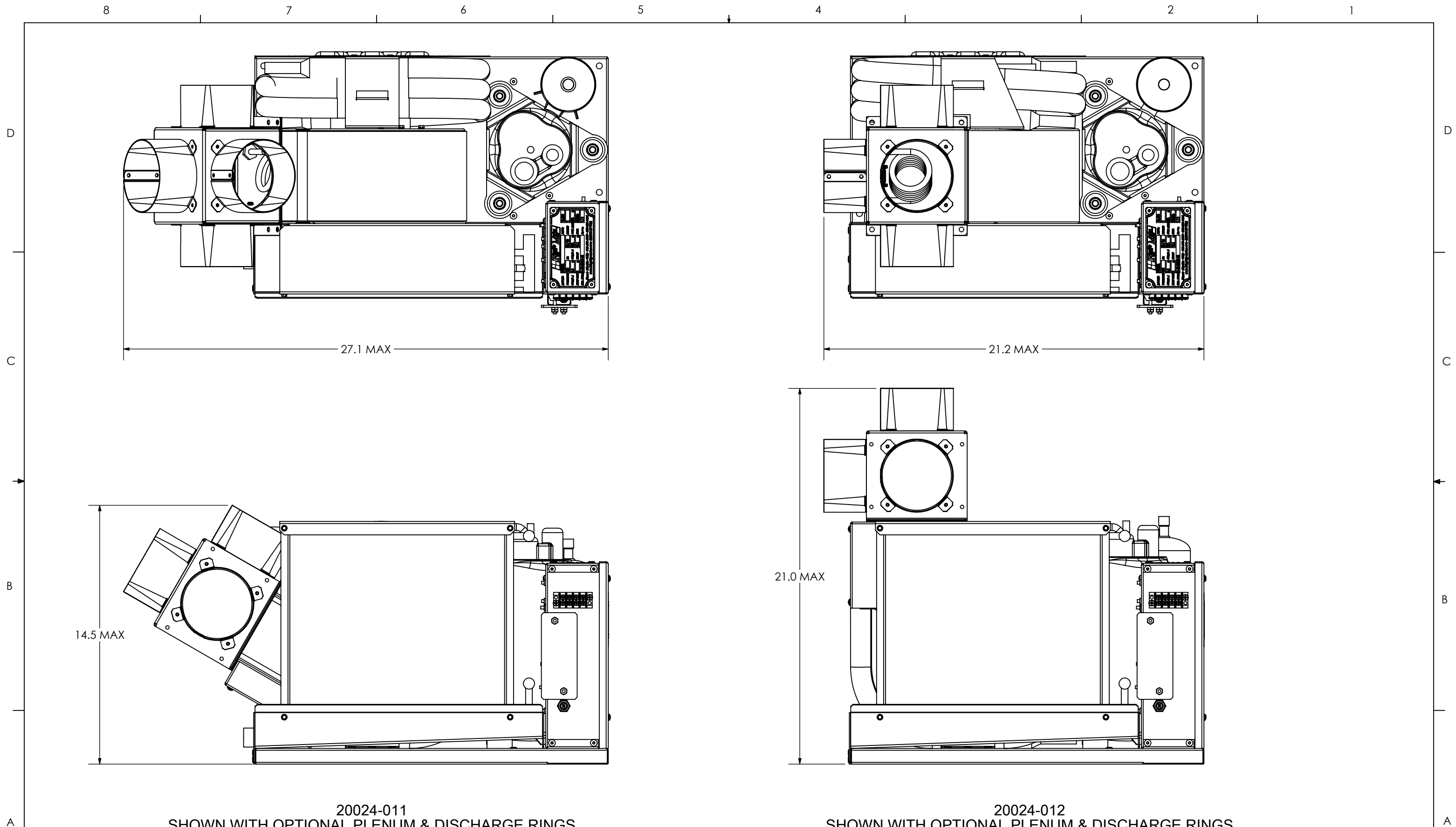
20024-012 SHOWN  
SEE SHEET 2 OF 4 FOR BILL OF MATERIALS

**Flagship Marine**  
COMMERCIAL QUALITY PURELY DESIGN PRECISE

2427 SE DIXIE HIGHWAY | STUART | FLORIDA | 34996 | USA  
 (772) 283-1609 | (800) 316-6426 FAX (772) 283-4611

DRAWN	SWC	SIZE	DRAWING NO.	REV
CHECKED	-	B	FM20024	A
ENG APPR.	-	WGT: 125.94 LBS	SCALE: 1:6	SHEET 4 OF 5





20024-011  
 SHOWN WITH OPTIONAL PLENUM & DISCHARGE RINGS  
 FOR DIMENTIONAL REFERENCE ONLY

20024-012  
 SHOWN WITH OPTIONAL PLENUM & DISCHARGE RINGS  
 FOR DIMENTIONAL REFERENCE ONLY

 2427 SE DIXIE HIGHWAY   STUART   FLORIDA   34996   USA (772) 283-1609   (800) 316-6426 FAX (772) 283-4611	DRAWN	SWC	SIZE	DRAWING NO.		REV
	CHECKED	-	B	FM20024		A
ENG APPR.			WGT: 124.40 LBS		SCALE: 1:6	SHEET 5 OF 5