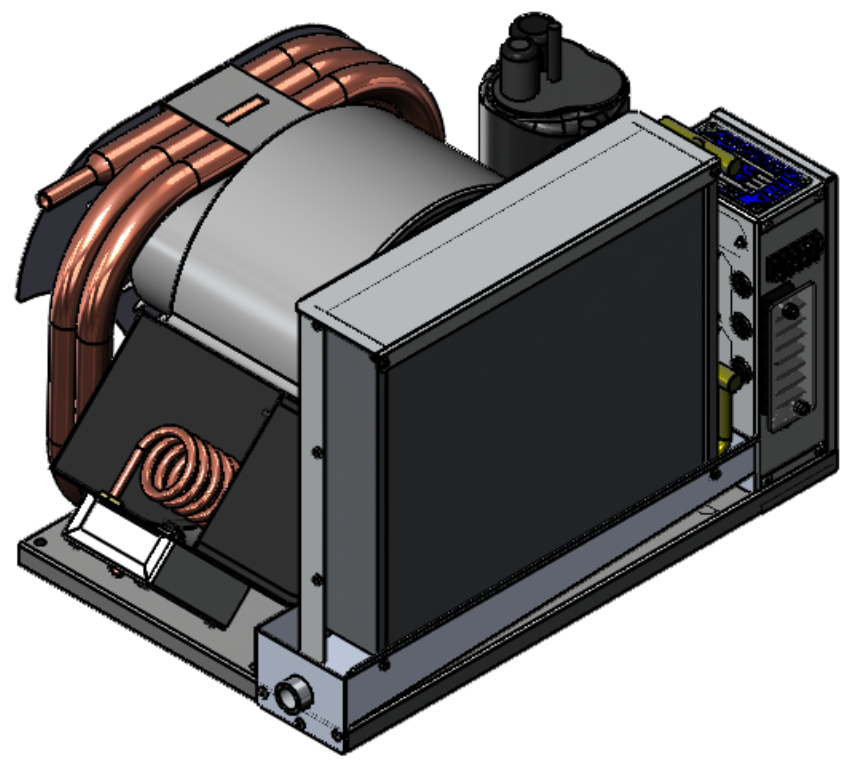


PART NUMBER	DESCRIPTION
20025-001	ASSEMBLY, AIR CONDITIONER FM18.5R, 120V SIDE
20025-011	ASSEMBLY, AIR CONDITIONER FM18.5R, 120V SIDE, WITH OPTIONAL HEAT
20025-101	ASSEMBLY, AIR CONDITIONER FM18.5R, 230V SIDE
20025-111	ASSEMBLY, AIR CONDITIONER FM18.5R, 230V SIDE, WITH OPTIONAL HEAT

FLAGSHIP MARINE, INC.				
REV.	ZONE	DESCRIPTION	DATE	ENG APPROVAL
06		80902-001 WAS 80100-001 AND 70906-001 WAS 70102-001	5/14/2014	
A		RELEASED FOR MANUFACTURING	7/16/2014	
B		60249-001 WAS 60277-001	9/15/2014	



**20025-011 SHOWN  
SEE SHEET 3 OF 4 FOR DIMENSIONS**

28	hex nut_ai		3	3	3	3
27	lock washer spring regular_ai		3	3	3	3
26	80902-001	WELDMENT, DRY DRAIN PAN, EVAPORATOR, AIR CONDITIONER, FM18.5 & FM20R, SIDE	1	1	1	1
25	80028-021	WELDMENT, BASE, AIR CONDITIONER, FM18.5R, TOP	1	1	1	1
24	70906-001	FABRICATION, SHROUD, EVAPORATOR, AIR CONDITIONER, FM18.5 & FM20R, SIDE	1	1	1	1
23	70104-001	FABRICATION, SUPPORT, BASE, AIR CONDITIONER, FM18.5R	1	1	1	1
22	70103-001	FABRICATION, BRACKET, CONDENSER, AIR CONDITIONER, SIDE, FM18.5R	1	1	1	1
21	70098-001	FABRICATION, BRACKET, BLOWER, AIR CONDITIONER, FM12R, FM16R & FM18R	1	1	1	1
20	70092-001	DETAIL, PLATE, DECORATIVE CONDENSER COVER, FM18.5R / FM20R	1	1	1	1
19	70086-001	FABRICATION, LID, ENCLOSURE, HEATER COIL, AIR CONDITIONER, FM9R	-	1	1	-
18	70085-001	FABRICATION, ENCLOSURE, HEATER COIL, AIR CONDITIONER, FM9R	-	1	1	-
17	60534-001	WASHER, 3/8 X 1 1/4 FENDER WASHER, 18-8 SS	3	3	3	3
16	60533-001	RIVET, 3/16" DIA. .062-.125" GRIP RANGE, SSB6-2S	21	21	21	21
15	60527-001	SELF TAP, #8 X 1/2 HWH SELF DRILL 18-8 SS	16	20	20	16
14	60517-001	SCREW, #8-32 X 3/8" PAN HEAD MACHINE SCREW, #2 DRIVE PHILLIPS, 18-8 SS	-	4	4	-
13	60249-001	COMPRESSOR, 1PH, 60 Hz, 115V	1	1	-	-
12	60242-001	COMPRESSOR, 1PH, 60 Hz, 220V	-	-	1	1
11	60214-001	EVAPORATOR, 18500 MBTU, 12HX14W, 3 ROW	1	1	1	1
10	60131-001	GROMMET, 11/16" PUSH-IN LOCKING, NYLON	-	1	1	-
9	60071-001	STANDOFF, .385 ID X 1.406 OD X 1.00 THK, 70 DURO EPDM BLACK	3	3	3	3
8	60070-001	WASHER, .385 ID X 1.406 OD X .25 THK, 60 DURO EPDM BLACK	3	3	3	3
7	60062-001	THERMAL LIMIT SWITCH, 130 DEGREE	-	1	1	-
6	60033-001	HEATER ELEMENT, COIL, 48"L, 8MM, 2200W, 120VAC, DBL END THRD BULKHEAD	-	1	-	-
5	60032-002	HEATER ELEMENT, COIL, 45"L, 8MM, 2000W, 240VAC, DBL END THRD BULKHEAD	-	-	1	-
4	60013-002	BLOWER, PSC, FORWARD CURVE, DIRECT DRIVE, WHEEL DIA 8 5/8", 230V, DAYTON 1TDT9	-	-	1	1
3	60013-001	BLOWER, PSC, FORWARD CURVE, DIRECT DRIVE, WHEEL DIA 8 5/8", 115V, DAYTON 1TDT4	1	1	-	-
2	50005-001	FABRICATION, TUBING, AIR CONDITIONER, FMAC18.5R / FM20R	1	1	1	1
1	20015-001	ASSEMBLY, CONTROL BOX, SELF CONTAINED, A/C, UNIVERSAL	1	1	1	1

ITEM NO.	PART NUMBER	DESCRIPTION	20025-001/QTY.	20025-011/QTY.	20025-111/QTY.	20025-101/QTY.
----------	-------------	-------------	----------------	----------------	----------------	----------------

**FLAGSHIP MARINE, INC. BILL OF MATERIALS**

**Flagship Marine**  
**FLAGSHIP MARINE, INC.**  
 2427 SE DIXIE HIGHWAY  
 STUART | FLORIDA | 34996 | USA  
 (772) 283-1609 | (800) 316-6426  
 FAX (772) 283-4611

**PROPRIETARY AND CONFIDENTIAL**  
 THIS DOCUMENT CONTAINS INFORMATION PROPRIETARY TO FLAGSHIP MARINE, INC. NO PART MAY BE REPRODUCED, USED IN ANY FORM, OR STORED ELECTRONICALLY WITHOUT THE WRITTEN PERMISSION OF FLAGSHIP MARINE, INC.

UNLESS OTHERWISE SPECIFIED:					
DIMENSIONS ARE IN INCHES					
TOLERANCES:					
FRACTIONS ± 1/32					
ANG: MACH ± 0°30' BEND ± 2°					
DECIMALS .XX ± .01					
.XXX ± .005					
HOLE Ø .XX ± .005					
INTERPRET GEOMETRIC TOLERANCING PER: ASME Y14.5M					
MATERIAL					
FINISH					
NONE					
PERP STRAIGHTNESS	⊥	.003/IN			
FLATNESS	≡	.005/IN			
THREADS:					
EXTERNAL - CLASS 2A					
INTERNAL - CLASS 2B					
MACHINED SURFACES: ✓ U.O.S					
NAME	SWC	DATE	8/2/2010		
CHECKED	TCM				
ENG APPR.	TCM				
MFG APPR.	TCM				
Q.A.	EAS				

TITLE: **ASSEMBLY, AIR CONDITIONER FM18.5R, SIDE**

PART NO. **20025-XX1**

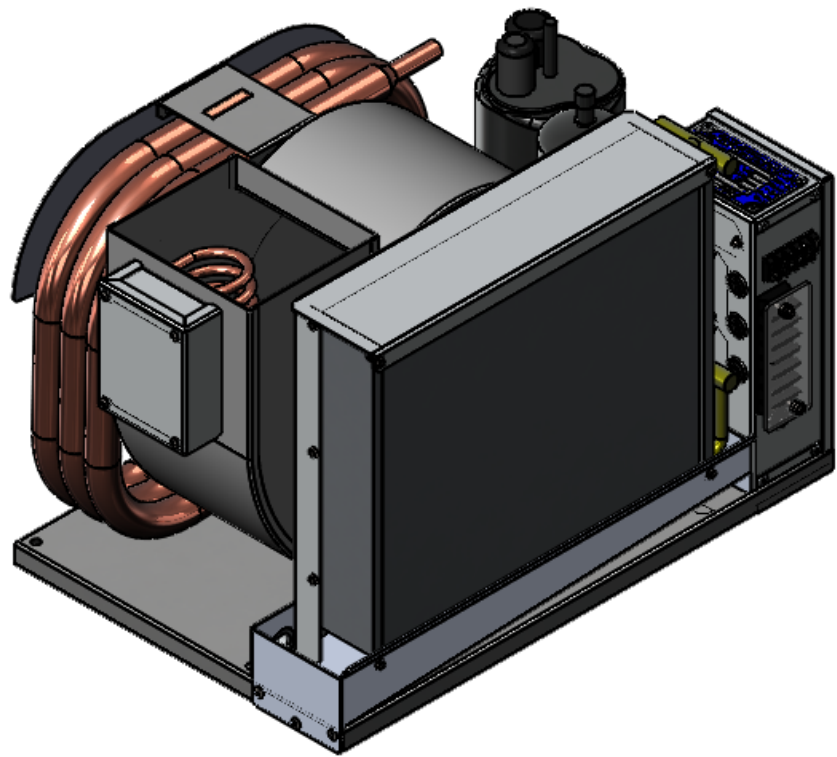
SIZE **B** DWG. NO. **FM20025** REV **B**

OLD PART NO. -

SCALE: 1:6 WGT: 133.11 LBS SHEET 1 OF 5

- NOTES:
3. NO SHARP EDGES PERMITTED.
  2. PREFERRED LIMITS AND FITS PER ANSI B4.1 (INCHES).
  1. DIMENSIONING & TOLERANCING PER ASME Y14.5M.

PART NUMBER	DESCRIPTION
20025-002	ASSEMBLY, AIR CONDITIONER FM18.5R, 120V TOP
20025-012	ASSEMBLY, AIR CONDITIONER FM18.5R, 120V TOP, WITH OPTIONAL HEAT
20025-102	ASSEMBLY, AIR CONDITIONER FM18.5R, 230V TOP
20025-112	ASSEMBLY, AIR CONDITIONER FM18.5R, 230V TOP, WITH OPTIONAL HEAT



**20025-012 SHOWN  
SEE SHEET 4 OF 4 FOR DIMENSIONS**

28	hex nut_ai		3	3	3	3
27	lock washer spring regular_ai		3	3	3	3
26	80902-002	WELDMENT, DRY DRAIN PAN, EVAPORATOR, AIR CONDITIONER, FM18.5 & FM20R, TOP	1	1	1	1
25	80028-021	WELDMENT, BASE, AIR CONDITIONER, FM18.5R, TOP	1	1	1	1
24	70906-002	FABRICATION, SHROUD, EVAPORATOR, AIR CONDITIONER, FM18.5 & FM20R, TOP	1	1	1	1
23	70104-001	FABRICATION, SUPPORT, BASE, AIR CONDITIONER, FM18.5R	1	1	1	1
22	70103-011	FABRICATION, BRACKET, CONDENSER, AIR CONDITIONER, TOP, FM18.5R	1	1	1	1
21	70098-001	FABRICATION, BRACKET, BLOWER, AIR CONDITIONER, FM12R, FM16R & FM18R	1	1	1	1
20	70092-001	DETAIL, PLATE, DECORATIVE CONDENSER COVER, FM18.5R / FM20R	1	1	1	1
19	70086-001	FABRICATION, LID, ENCLOSURE, HEATER COIL, AIR CONDITIONER, FM9R	1	-	-	1
18	70085-001	FABRICATION, ENCLOSURE, HEATER COIL, AIR CONDITIONER, FM9R	1	-	-	1
17	60534-001	WASHER, 3/8 X 1 1/4 FENDER WASHER, 18-8 SS	3	3	3	3
16	60533-001	RIVET, 3/16" DIA. .062-.125" GRIP RANGE, SSB6-2S	21	21	21	21
15	60527-001	SELF TAP, #8 X 1/2 HWH SELF DRILL 18-8 SS	20	16	16	20
14	60517-001	SCREW, #8-32 X 3/8" PAN HEAD MACHINE SCREW, #2 DRIVE PHILLIPS, 18-8 SS	4	-	-	4
13	60249-001	COMPRESSOR, 1PH, 60 Hz, 115V	1	1	-	-
12	60242-001	COMPRESSOR, 1PH, 60 Hz, 220V	-	-	1	1
11	60214-001	EVAPORATOR, 18500 MBTU, 12HX14W, 3 ROW	1	1	1	1
10	60131-001	GROMMET, 1 1/16" PUSH-IN LOCKING, NYLON	1	-	-	1
9	60071-001	STANDOFF, .385 ID X 1.406 OD X 1.00 THK, 70 DURO EPDM BLACK	3	3	3	3
8	60070-001	WASHER, .385 ID X 1.406 OD X .25 THK, 60 DURO EPDM BLACK	3	3	3	3
7	60062-001	THERMAL LIMIT SWITCH, 130 DEGREE	1	-	-	1
6	60033-001	HEATER ELEMENT, COIL, 48"L, 8MM, 2200W, 120VAC, DBL END THRD BULKHEAD	1	-	-	-
5	60032-002	HEATER ELEMENT, COIL, 45"L, 8MM, 2000W, 240VAC, DBL END THRD BULKHEAD	-	-	-	1
4	60013-002	BLOWER, PSC, FORWARD CURVE, DIRECT DRIVE, WHEEL DIA 8 5/8", 230V, DAYTON 1TDT9	-	-	1	1
3	60013-001	BLOWER, PSC, FORWARD CURVE, DIRECT DRIVE, WHEEL DIA 8 5/8", 115V, DAYTON 1TDT4	1	1	-	-
2	50005-001	FABRICATION, TUBING, AIR CONDITIONER, FMAC18.5R / FM20R	1	1	1	1
1	20015-001	ASSEMBLY, CONTROL BOX, SELF CONTAINED, A/C, UNIVERSAL	1	1	1	1

ITEM NO.	PART NUMBER	DESCRIPTION	20025-012/QTY.	20025-002/QTY.	20025-102/QTY.	20025-112/QTY.
----------	-------------	-------------	----------------	----------------	----------------	----------------

**FLAGSHIP MARINE, INC. BILL OF MATERIALS**

**Flagship Marine**  
**FLAGSHIP MARINE, INC.**  
 2427 SE DIXIE HIGHWAY  
 STUART | FLORIDA | 34996 | USA  
 (772) 283-1609 | (800) 316-6426  
 FAX (772) 283-4611

**PROPRIETARY AND CONFIDENTIAL**  
 THIS DOCUMENT CONTAINS INFORMATION PROPRIETARY TO FLAGSHIP MARINE, INC. NO PART MAY BE REPRODUCED, USED IN ANY FORM, OR STORED ELECTRONICALLY WITHOUT THE WRITTEN PERMISSION OF FLAGSHIP MARINE, INC.

UNLESS OTHERWISE SPECIFIED:		NAME	DATE
DIMENSIONS ARE IN INCHES		DRAWN	SWC 8/2/2010
TOLERANCES:		CHECKED	TCM -
FRACTIONS ± 1/32		ENG APPR.	TCM -
ANG: MACH ± 0°30' BEND ± 2°		MFG APPR.	TCM -
DECIMALS .XX ± .01		Q.A.	EAS -
.XXX ± .005			
HOLE Ø .XX ± .005			
INTERPRET GEOMETRIC TOLERANCING PER: ASME Y14.5M			
MATERIAL		PERP STRAIGHTNESS	∓ .003/IN
		FLATNESS	∓ .005/IN
		THREADS:	
		EXTERNAL - CLASS 2A	
		INTERNAL - CLASS 2B	
FINISH	NONE	MACHINED SURFACES:	√ U.O.S
NEXT ASSY	USED ON		
APPLICATION	DO NOT SCALE DRAWING		

TITLE: **ASSEMBLY, AIR CONDITIONER FM18.5R, TOP**

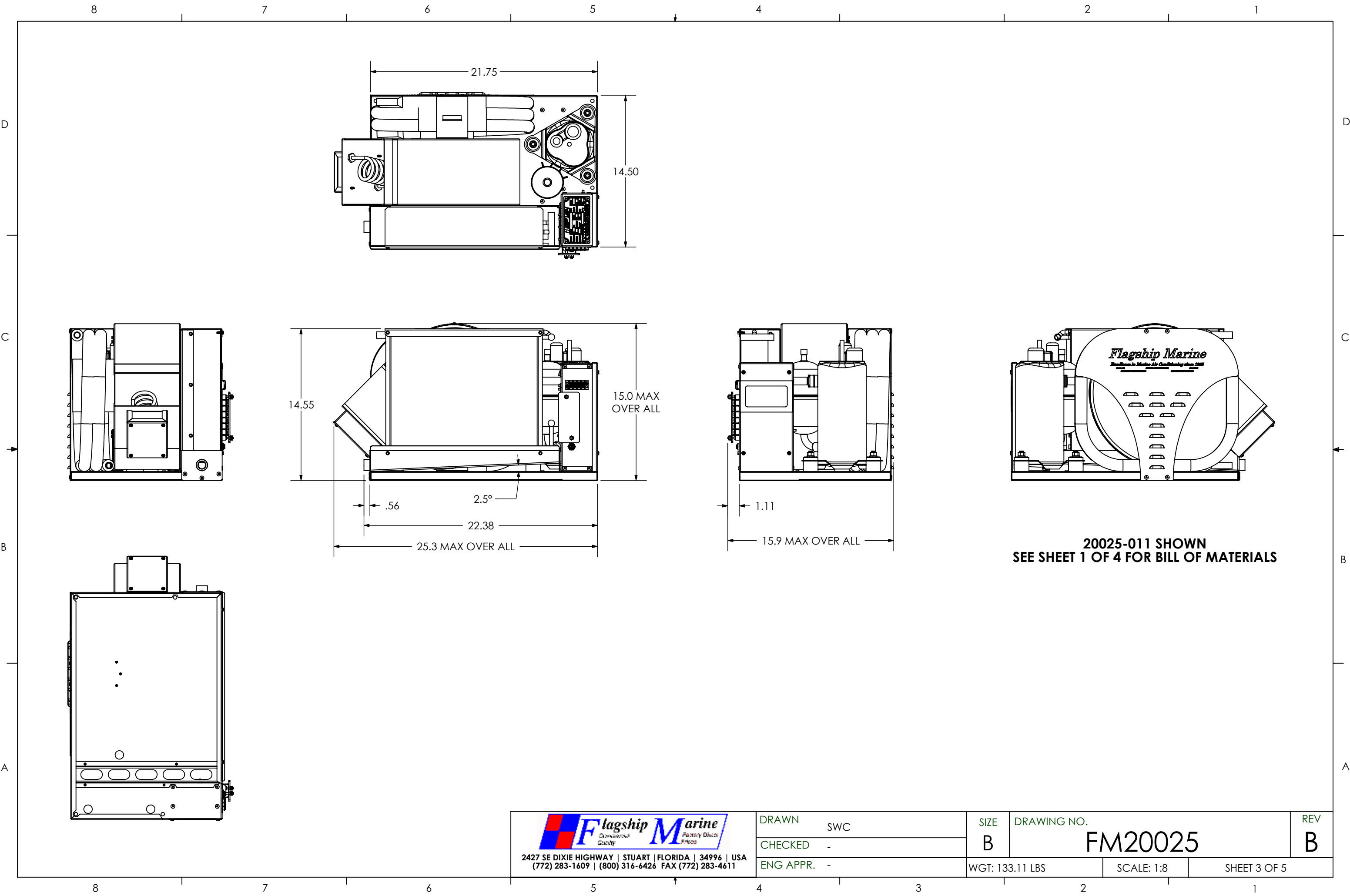
PART NO. **20025-XX2**

SIZE **B** DWG. NO. **FM20025** REV **B**


OLD PART NO. -

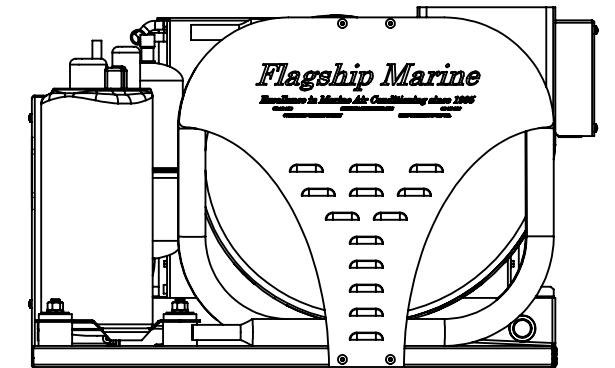
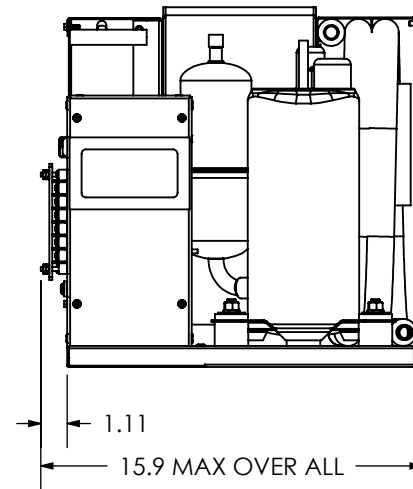
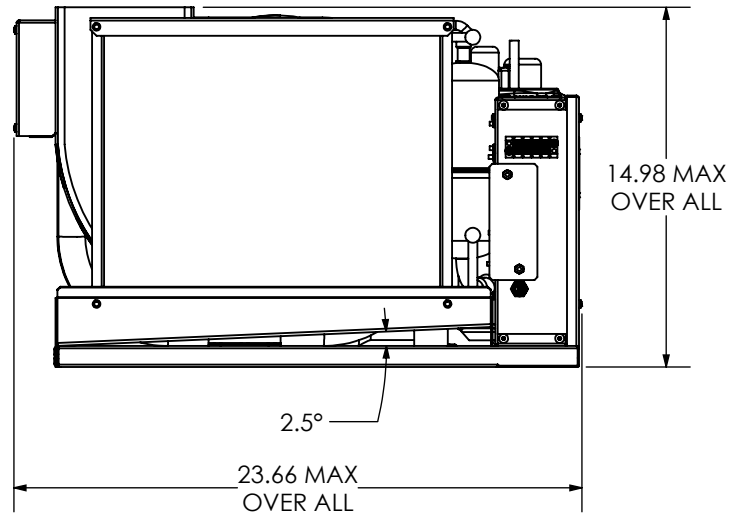
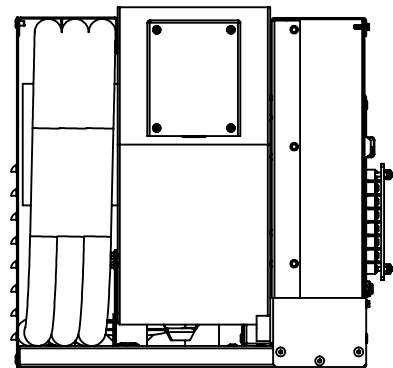
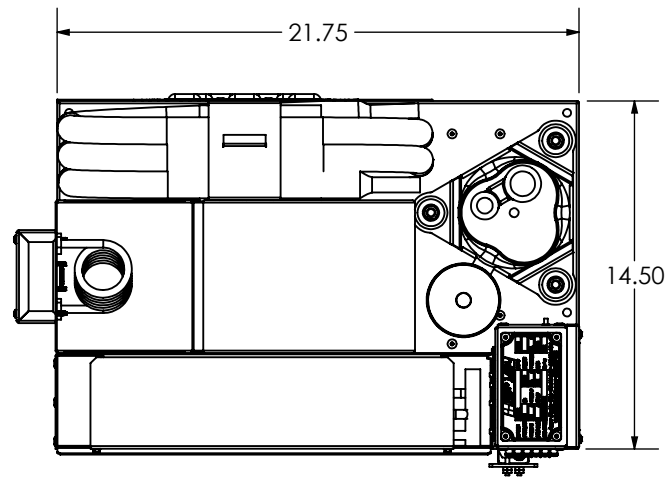
SCALE: 1:6 WGT: 135.98 LBS SHEET 2 OF 5

- NOTES:
- NO SHARP EDGES PERMITTED.
  - PREFERRED LIMITS AND FITS PER ANSI B4.1 (INCHES).
  - DIMENSIONING & TOLERANCING PER ASME Y14.5M.

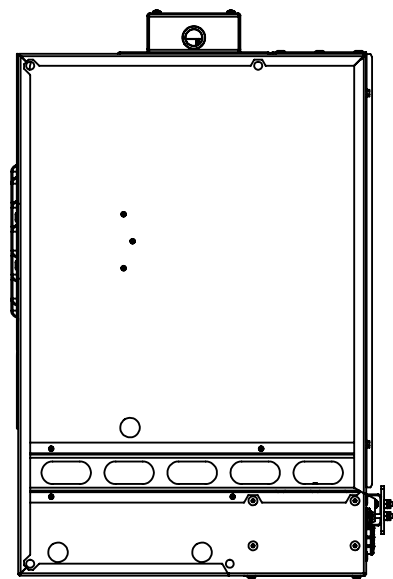


20025-011 SHOWN  
SEE SHEET 1 OF 4 FOR BILL OF MATERIALS

 2427 SE DIXIE HIGHWAY   STUART   FLORIDA   34996   USA (772) 283-1609   (800) 316-6426 FAX (772) 283-4611	DRAWN	SWC	SIZE	DRAWING NO.		REV
	CHECKED	-	B	FM20025		B
ENG APPR.	-	WGT: 133.11 LBS	SCALE: 1:8	SHEET 3 OF 5		



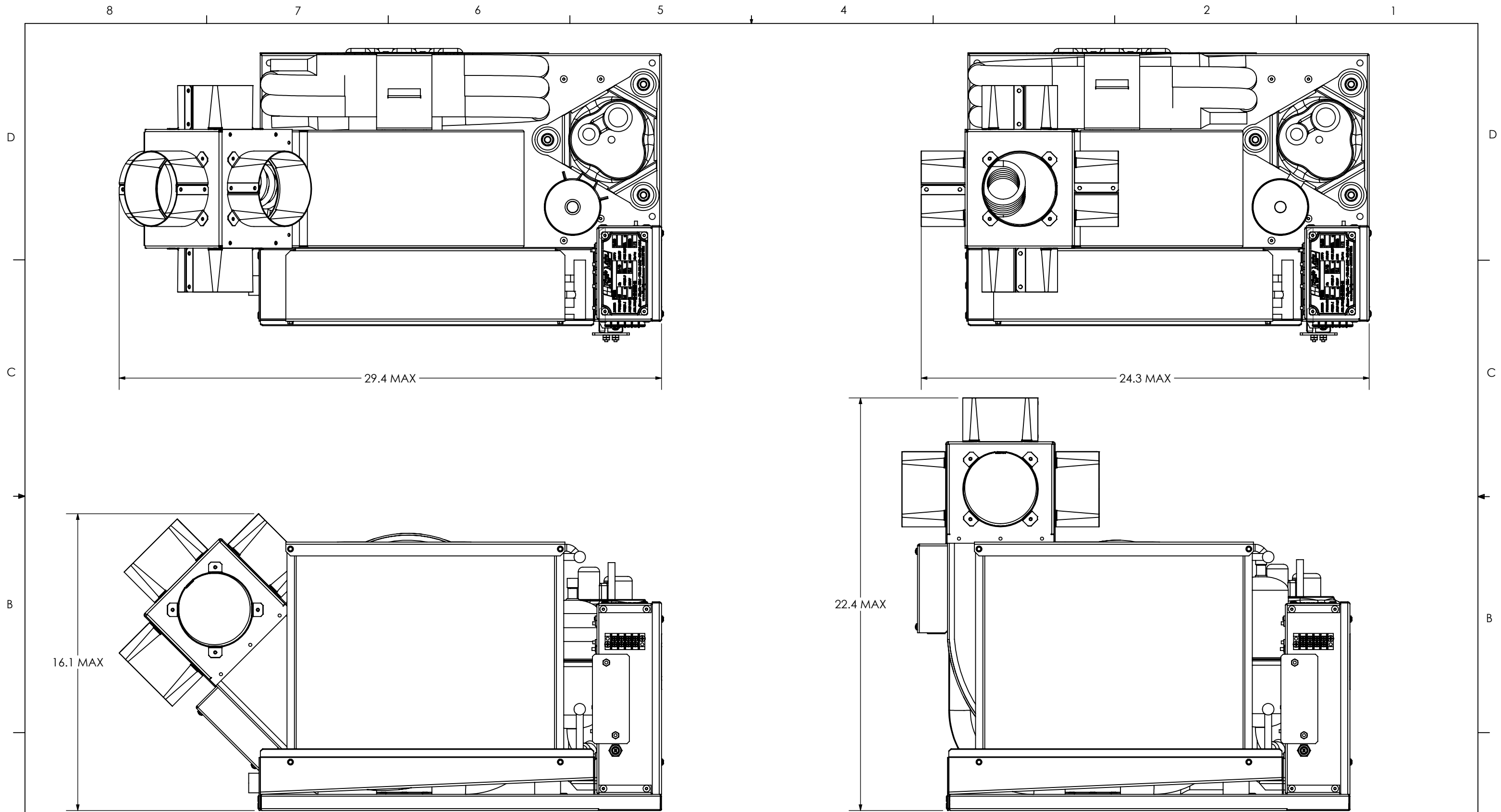
**2025-012 SHOWN  
 SEE SHEET 2 OF 4 FOR BILL OF MATERIALS**



**Flagship Marine**  
COMMERCIAL QUALITY

2427 SE DIXIE HIGHWAY | STUART | FLORIDA | 34996 | USA  
 (772) 283-1609 | (800) 316-6426 FAX (772) 283-4611

DRAWN	SWC	SIZE	DRAWING NO.	REV
CHECKED	-	B	FM20025	B
ENG APPR.	-	WGT: 135.98 LBS	SCALE: 1:8	SHEET 4 OF 5



20025-011  
 SHOWN WITH OPTIONAL PLENUM & DISCHARGE RINGS  
 FOR DIMENTIONAL REFERENCE ONLY

20025-012  
 SHOWN WITH OPTIONAL PLENUM & DISCHARGE RINGS  
 FOR DIMENTIONAL REFERENCE ONLY

**Flagship Marine**  
 COMMERCIAL QUALITY POWER DIESEL ENGINES  
 2427 SE DIXIE HIGHWAY | STUART | FLORIDA | 34996 | USA  
 (772) 283-1609 | (800) 316-6426 FAX (772) 283-4611

DRAWN	SWC	SIZE	DRAWING NO.	REV
CHECKED	-	B	FM20025	B
ENG APPR.	-	WGT: 134.12 LBS	SCALE: 1:8	SHEET 5 OF 5