

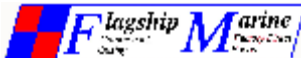
PART NUMBER	DESCRIPTION
20026-001	ASSEMBLY, AIR CONDITIONER FM20R, 120V SIDE
20026-011	ASSEMBLY, AIR CONDITIONER FM20R, 120V SIDE, WITH OPTIONAL HEAT
20026-101	ASSEMBLY, AIR CONDITIONER FM20R, 230V SIDE
20026-111	ASSEMBLY, AIR CONDITIONER FM20R, 230V SIDE, WITH OPTIONAL HEAT

FLAGSHIP MARINE, INC.				
REV.	ZONE	DESCRIPTION	DATE	ENG APPROVAL
06		ADDED SHEET 5 OF 5 (SHOWN WITH PLENUM & DISCHARGE RINGS)	2/13/2014	
07		80902-001 WAS 80100-001 AND 70906-001 WAS 70102-001	5/14/2014	
A		RELEASED FOR MANUFACTURING	7/16/2014	

27	hex nut_ai		3	3	3	3
26	lock washer spring regular_ai		3	3	3	3
25	80902-001	WELDMENT, DRY DRAIN PAN, EVAPORATOR, AIR CONDITIONER, FM18.5 & FM20R, SIDE	1	1	1	1
24	80028-002	WELDMENT, BASE, AIR CONDITIONER, FM20R	1	1	1	1
23	70906-001	FABRICATION, SHROUD, EVAPORATOR, AIR CONDITIONER, FM18.5 & FM20R, SIDE	1	1	1	1
22	70104-002	FABRICATION, SUPPORT, BASE, AIR CONDITIONER, FM20R	1	1	1	1
21	70103-002	FABRICATION, BRACKET, CONDENSER, AIR CONDITIONER, SIDE, FM20R	1	1	1	1
20	70098-001	FABRICATION, BRACKET, BLOWER, AIR CONDITIONER, FM12R, FM16R & FM18R	1	1	1	1
19	70092-001	DETAIL, PLATE, DECORATIVE CONDENSER COVER, FM18.5R / FM20R	1	1	1	1
18	70086-001	FABRICATION, LID, ENCLOSURE, HEATER COIL, AIR CONDITIONER, FM9R	-	1	1	-
17	70085-001	FABRICATION, ENCLOSURE, HEATER COIL, AIR CONDITIONER, FM9R	-	1	1	-
16	60534-001	WASHER, 3/8 X 1 1/4 FENDER WASHER, 18-8 SS	3	3	3	3
15	60533-001	RIVET, 3/16" DIA. .062-.125" GRIP RANGE, SSB6-2S	21	21	21	21
14	60527-001	SELF TAP, #8 X 1/2 HWH SELF DRILL 18-8 SS	16	20	20	16
13	60517-001	SCREW, #8-32 X 3/8" PAN HEAD MACHINE SCREW, #2 DRIVE PHILLIPS, 18-8 SS	-	4	4	-
12	60277-001	COMPRESSOR, 1PH, 60 Hz, 115V, TECUMSEH	1	1	-	-
11	60243-001	COMPRESSOR, 1PH, 60 Hz, 220V	-	-	1	1
10	60214-001	EVAPORATOR, 18500 MBTU, 12HX14W, 3 ROW	1	1	1	1
9	60131-001	GROMMET, 11/16" PUSH-IN LOCKING, NYLON	-	1	1	-
8	60071-001	STANDOFF, .385 ID X 1.406 OD X 1.00 THK, 70 DURO EPDM BLACK	3	3	3	3
7	60070-001	WASHER, .385 ID X 1.406 OD X .25 THK, 60 DURO EPDM BLACK	3	3	3	3
6	60062-001	THERMAL LIMIT SWITCH, 130 DEGREE	-	1	1	-
5	60033-001	HEATER ELEMENT, COIL, 48"L, 8MM, 2200W, 120VAC, DBL END THRD BULKHEAD	-	1	-	-
4	60032-002	HEATER ELEMENT, COIL, 45"L, 8MM, 2000W, 240VAC, DBL END THRD BULKHEAD	-	-	1	-
3	60012-001	BLOWER, PSC, FORWARD CURVE, DIRECT DRIVE, WHEEL DIA 8 1/4", 115/230V, 1202 CFM	1	1	1	1
2	50005-001	FABRICATION, TUBING, AIR CONDITIONER, FMAC18.5R / FM20R	1	1	1	1
1	20015-001	ASSEMBLY, CONTROL BOX, SELF CONTAINED, A/C, UNIVERSAL	1	1	1	1

ITEM NO.	PART NUMBER	DESCRIPTION	20026-001/QTY.	20026-011/QTY.	20026-111/QTY.	20026-101/QTY.
----------	-------------	-------------	----------------	----------------	----------------	----------------

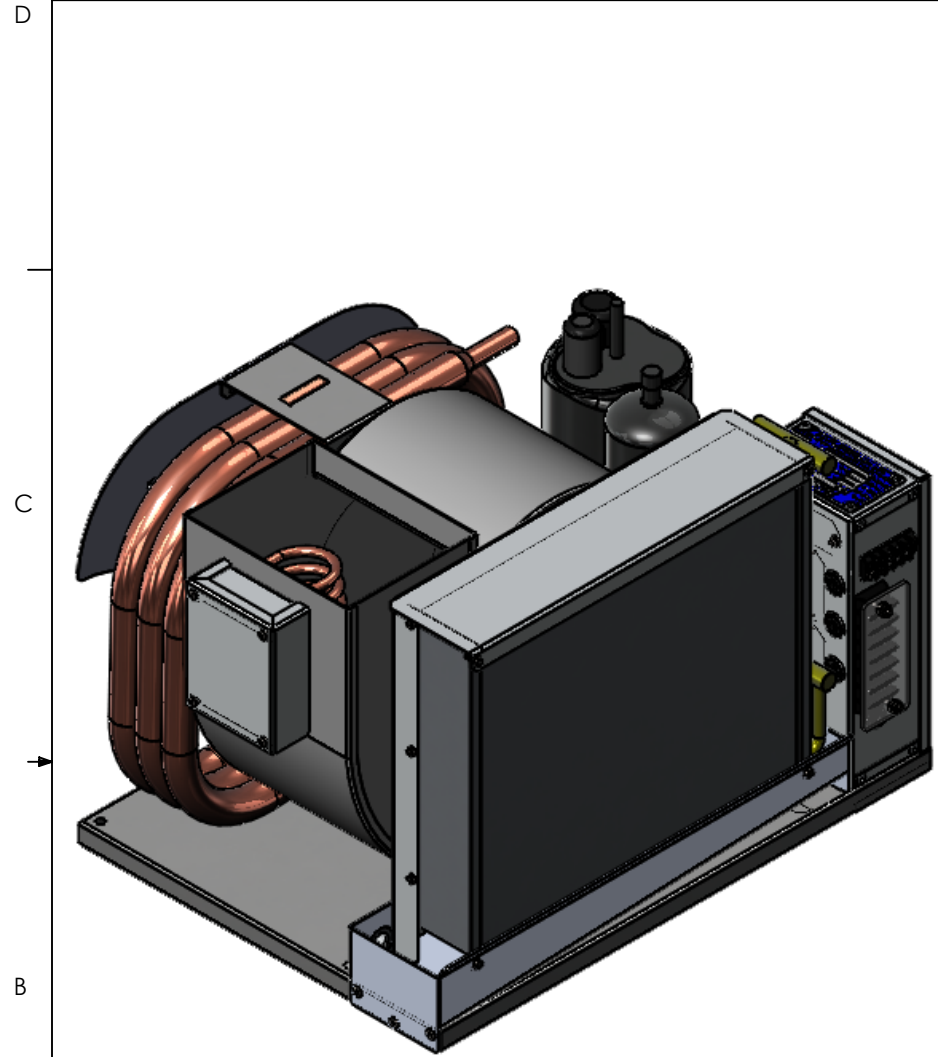
**FLAGSHIP MARINE, INC. BILL OF MATERIALS**

 <p><b>FLAGSHIP MARINE, INC.</b> 2427 SE DIXIE HIGHWAY STUART   FLORIDA   34996   USA (772) 283-1609   (800) 316-6426 FAX (772) 283-4611</p> <p><b>PROPRIETARY AND CONFIDENTIAL</b></p> <p>THIS DOCUMENT CONTAINS INFORMATION PROPRIETARY TO FLAGSHIP MARINE, INC. NO PART MAY BE REPRODUCED, USED IN ANY FORM, OR STORED ELECTRONICALLY WITHOUT THE WRITTEN PERMISSION OF FLAGSHIP MARINE, INC.</p>	-	-	UNLESS OTHERWISE SPECIFIED: DIMENSIONS ARE IN INCHES TOLERANCES: FRACTIONS ± 1/32 ANG: MACH ± 0°30' BEND ± 2° DECIMALS .XX ± .01 .XXX ± .005 HOLE Ø .XX ± .005 INTERPRET GEOMETRIC TOLERANCING PER: ASME Y14.5M MATERIAL FINISH <b>NONE</b>	DRAWN	NAME	DATE	TITLE: <b>ASSEMBLY, AIR CONDITIONER FM20R, SIDE</b>  PART NO. <b>20026-XX1</b>  SIZE <b>B</b> DWG. NO. <b>FM20026</b> REV <b>A</b> OLD PART NO. - SCALE: 1:6 WGT: 126.88 LBS SHEET 1 OF 5
	-	-		CHECKED	SWC	8/2/2010	
	-	-		ENG APPR.	TCM	-	
	-	-		MFG APPR.	TCM	-	
-	-	-	-	Q.A.	EAS	-	
-	-	-	-	PERP STRAIGHTNESS	∓	.003/IN	
-	-	-	-	FLATNESS	∓	.005/IN	
-	-	-	-	THREADS:			
-	-	-	-	EXTERNAL - CLASS 2A			
-	-	-	-	INTERNAL - CLASS 2B			
-	-	-	-	MACHINED SURFACES:	√	U.O.S	
APPLICATION	NEXT ASSY	USED ON	DO NOT SCALE DRAWING				

**20026-011 SHOWN**  
**SEE SHEET 3 OF 4 FOR DIMENSIONS**

- NOTES:
- NO SHARP EDGES PERMITTED.
  - PREFERRED LIMITS AND FITS PER ANSI B4.1 (INCHES).
  - DIMENSIONING & TOLERANCING PER ASME Y14.5M.

PART NUMBER	DESCRIPTION
20026-002	ASSEMBLY, AIR CONDITIONER FM20R, 120V TOP
20026-012	ASSEMBLY, AIR CONDITIONER FM20R, 120V TOP, WITH OPTIONAL HEAT
20026-102	ASSEMBLY, AIR CONDITIONER FM20R, 230V TOP
20026-112	ASSEMBLY, AIR CONDITIONER FM20R, 230V TOP, WITH OPTIONAL HEAT



**20026-012 SHOWN  
SEE SHEET 4 OF 4 FOR DIMENSIONS**

27	hex nut_ai		3	3	3	3
26	lock washer spring regular_ai		3	3	3	3
25	80902-002	WELDMENT, DRY DRAIN PAN, EVAPORATOR, AIR CONDITIONER, FM18.5 & FM20R, TOP	1	1	1	1
24	80028-002	WELDMENT, BASE, AIR CONDITIONER, FM20R	1	1	1	1
23	70906-002	FABRICATION, SHROUD, EVAPORATOR, AIR CONDITIONER, FM18.5 & FM20R, TOP	1	1	1	1
22	70104-002	FABRICATION, SUPPORT, BASE, AIR CONDITIONER, FM20R	1	1	1	1
21	70103-012	FABRICATION, BRACKET, CONDENSER, AIR CONDITIONER, TOP, FM20R	1	1	1	1
20	70098-001	FABRICATION, BRACKET, BLOWER, AIR CONDITIONER, FM12R, FM16R & FM18R	1	1	1	1
19	70092-001	DETAIL, PLATE, DECORATIVE CONDENSER COVER, FM18.5R / FM20R	1	1	1	1
18	70086-001	FABRICATION, LID, ENCLOSURE, HEATER COIL, AIR CONDITIONER, FM9R	1	-	-	1
17	70085-001	FABRICATION, ENCLOSURE, HEATER COIL, AIR CONDITIONER, FM9R	1	-	-	1
16	60534-001	WASHER, 3/8 X 1 1/4 FENDER WASHER, 18-8 SS	3	3	3	3
15	60533-001	RIVET, 3/16" DIA. .062-.125" GRIP RANGE, SSB6-2S	21	21	21	21
14	60527-001	SELF TAP, #8 X 1/2 HWH SELF DRILL 18-8 SS	20	16	16	20
13	60517-001	SCREW, #8-32 X 3/8" PAN HEAD MACHINE SCREW, #2 DRIVE PHILLIPS, 18-8 SS	4	-	-	4
12	60277-001	COMPRESSOR, 1PH, 60 Hz, 115V, TECUMSEH	1	1	-	-
11	60243-001	COMPRESSOR, 1PH, 60 Hz, 220V	-	-	1	1
10	60214-001	EVAPORATOR, 18500 MBTU, 12HX14W, 3 ROW	1	1	1	1
9	60131-001	GROMMET, 11/16" PUSH-IN LOCKING, NYLON	1	-	-	1
8	60071-001	STANDOFF, .385 ID X 1.406 OD X 1.00 THK, 70 DURO EPDM BLACK	3	3	3	3
7	60070-001	WASHER, .385 ID X 1.406 OD X .25 THK, 60 DURO EPDM BLACK	3	3	3	3
6	60062-001	THERMAL LIMIT SWITCH, 130 DEGREE	1	-	-	1
5	60033-001	HEATER ELEMENT, COIL, 48"L, 8MM, 2200W, 120VAC, DBL END THRD BULKHEAD	1	-	-	-
4	60032-002	HEATER ELEMENT, COIL, 45"L, 8MM, 2000W, 240VAC, DBL END THRD BULKHEAD	-	-	-	1
3	60012-001	BLOWER, PSC, FORWARD CURVE, DIRECT DRIVE, WHEEL DIA 8 1/4", 115/230V, 1202 CFM	1	1	1	1
2	50005-001	FABRICATION, TUBING, AIR CONDITIONER, FMAC18.5R / FM20R	1	1	1	1
1	20015-001	ASSEMBLY, CONTROL BOX, SELF CONTAINED, A/C, UNIVERSAL	1	1	1	1

ITEM NO.	PART NUMBER	DESCRIPTION	20026-012/QTY.	20026-002/QTY.	20026-102/QTY.	20026-112/QTY.
----------	-------------	-------------	----------------	----------------	----------------	----------------

**FLAGSHIP MARINE, INC. BILL OF MATERIALS**

**Flagship Marine**  
**FLAGSHIP MARINE, INC.**  
 2427 SE DIXIE HIGHWAY  
 STUART | FLORIDA | 34996 | USA  
 (772) 283-1609 | (800) 316-6426  
 FAX (772) 283-4611

**PROPRIETARY AND CONFIDENTIAL**  
 THIS DOCUMENT CONTAINS INFORMATION PROPRIETARY TO FLAGSHIP MARINE, INC. NO PART MAY BE REPRODUCED, USED IN ANY FORM, OR STORED ELECTRONICALLY WITHOUT THE WRITTEN PERMISSION OF FLAGSHIP MARINE, INC.

UNLESS OTHERWISE SPECIFIED:		NAME	DATE
DIMENSIONS ARE IN INCHES		DRAWN	SWC 8/2/2010
TOLERANCES:		CHECKED	TCM -
FRACTIONS ± 1/32		ENG APPR.	TCM -
ANG: MACH ± 0°30' BEND ± 2°		MFG APPR.	TCM -
DECIMALS .XX ± .01		Q.A.	EAS -
.XXX ± .005		PERP STRAIGHTNESS ± .003/IN	
HOLE Ø .XX ± .005		FLATNESS ± .005/IN	
INTERPRET GEOMETRIC TOLERANCING PER: ASME Y14.5M		THREADS:	
MATERIAL		EXTERNAL - CLASS 2A	
FINISH		INTERNAL - CLASS 2B	
NONE		MACHINED SURFACES: ✓ U.O.S	
NEXT ASSY	USED ON		
APPLICATION		DO NOT SCALE DRAWING	

TITLE: **ASSEMBLY, AIR CONDITIONER FM20R, TOP**

PART NO. **20026-XX2**

SIZE **B** DWG. NO. **FM20026** REV **A**

OLD PART NO. -

SCALE: 1:6 WGT: 137.53 LBS SHEET 2 OF 5

- NOTES:
- NO SHARP EDGES PERMITTED.
  - PREFERRED LIMITS AND FITS PER ANSI B4.1 (INCHES).
  - DIMENSIONING & TOLERANCING PER ASME Y14.5M.

8 7 6 5 4 2 1

D

C

B

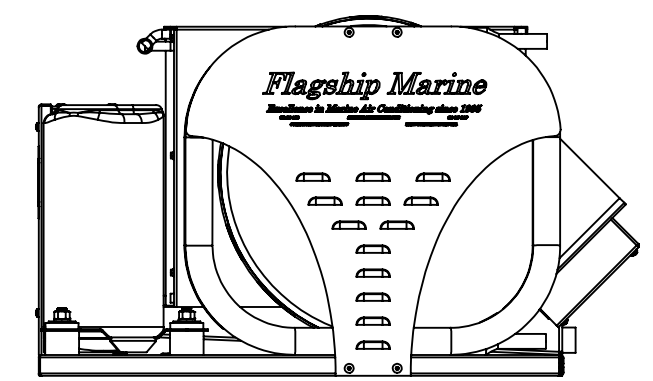
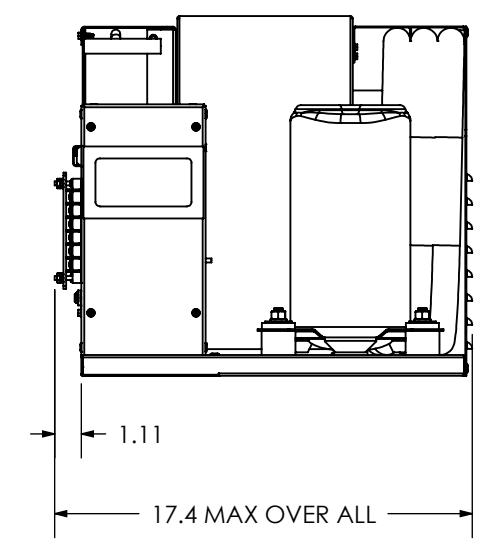
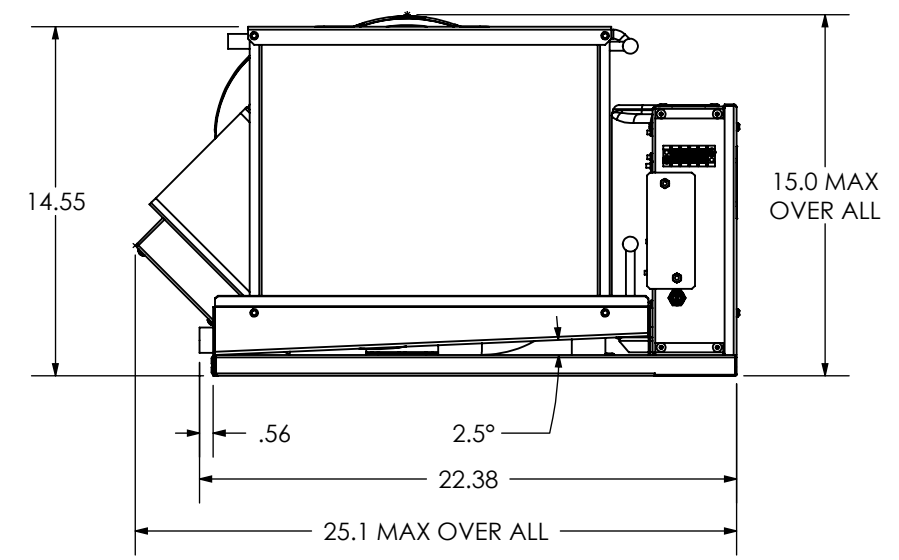
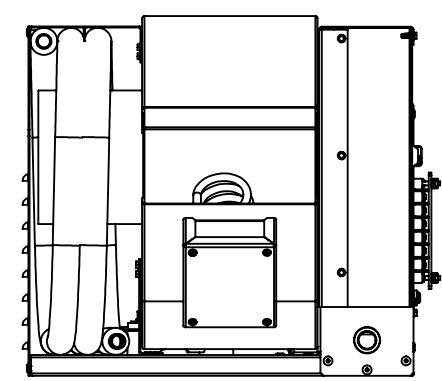
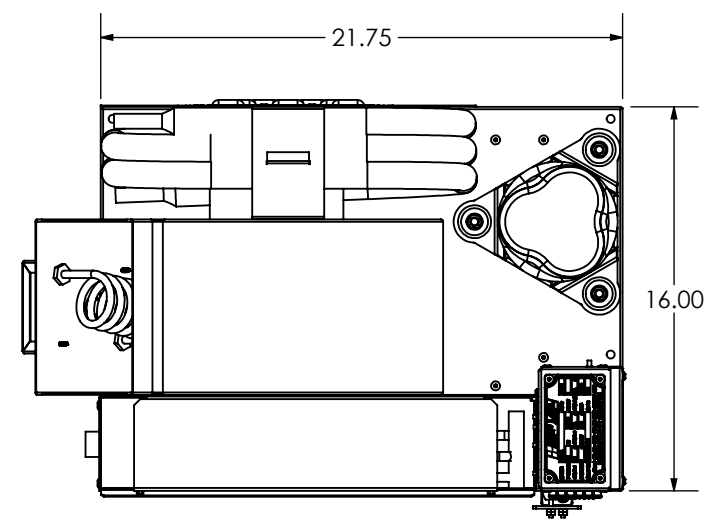
A

D

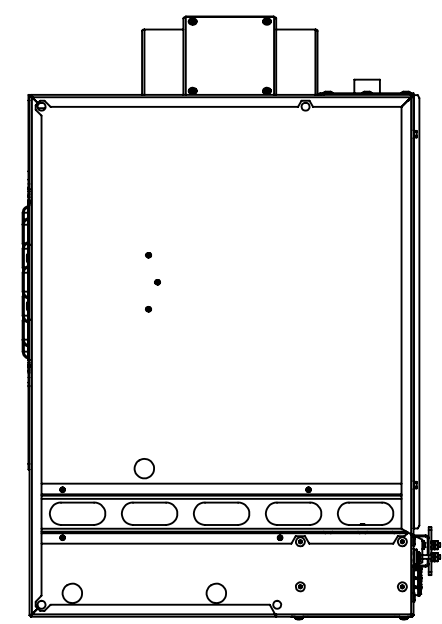
C

B

A



20026-011 SHOWN  
SEE SHEET 1 OF 4 FOR BILL OF MATERIALS

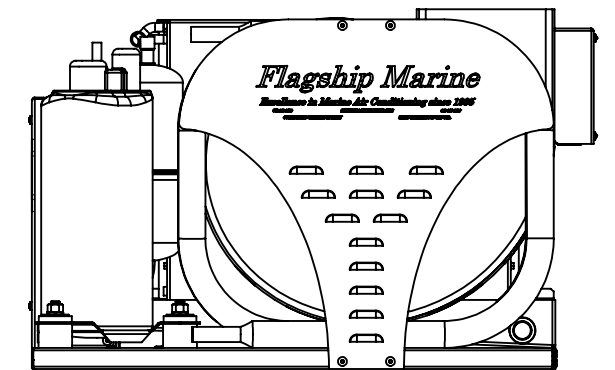
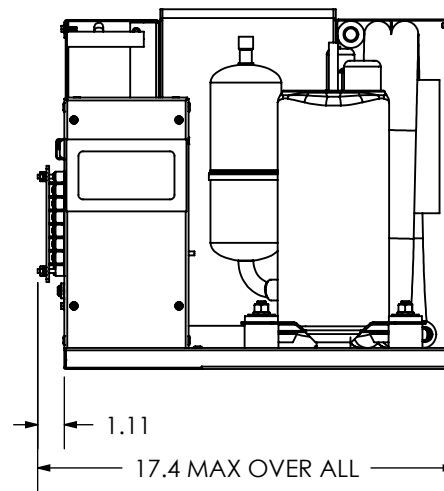
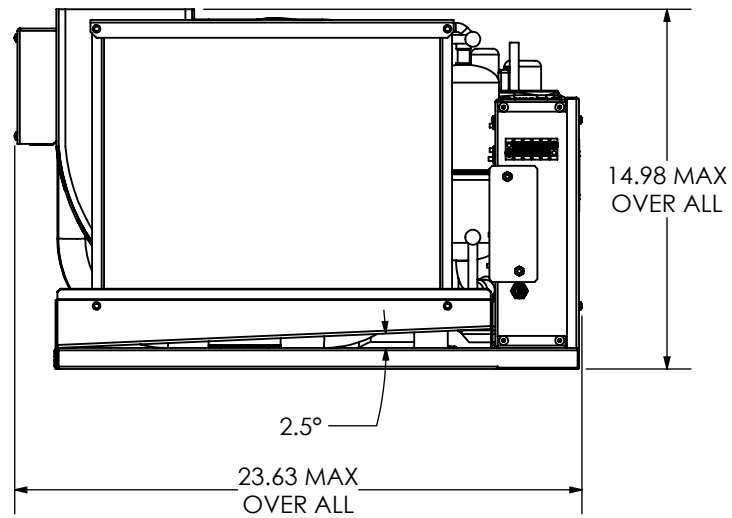
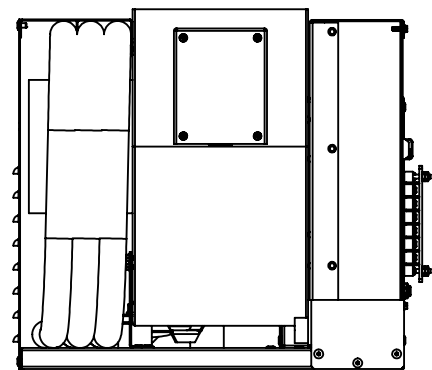
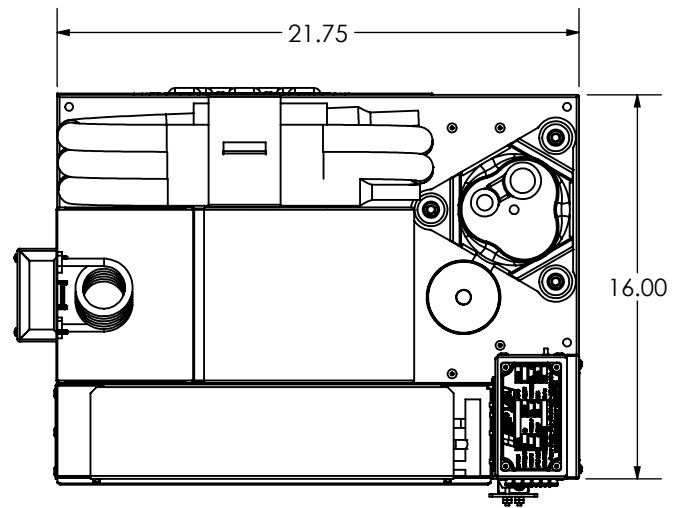


**Flagship Marine**  
COMMERCIAL QUALITY PURELY DESIGN PRECISE

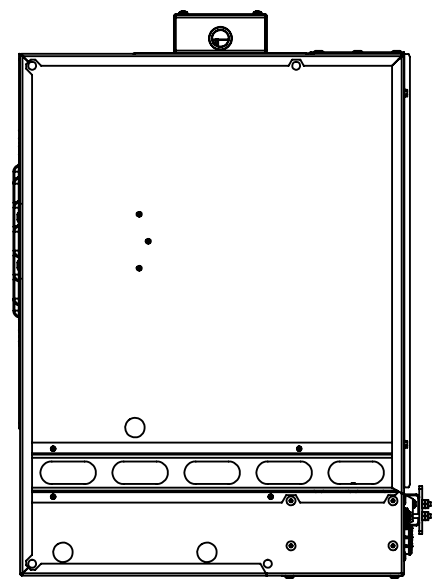
2427 SE DIXIE HIGHWAY | STUART | FLORIDA | 34996 | USA  
 (772) 283-1609 | (800) 316-6426 FAX (772) 283-4611

DRAWN	SWC	SIZE	DRAWING NO.	REV
CHECKED	-	B	FM20026	A
ENG APPR.	-	WGT: 126.88 LBS	SCALE: 1:8	SHEET 3 OF 5

8 7 6 5 4 3 2 1



**20026-012 SHOWN  
 SEE SHEET 2 OF 4 FOR BILL OF MATERIALS**



**Flagship Marine**  
COMMERCIAL QUALITY Factory Direct Prices

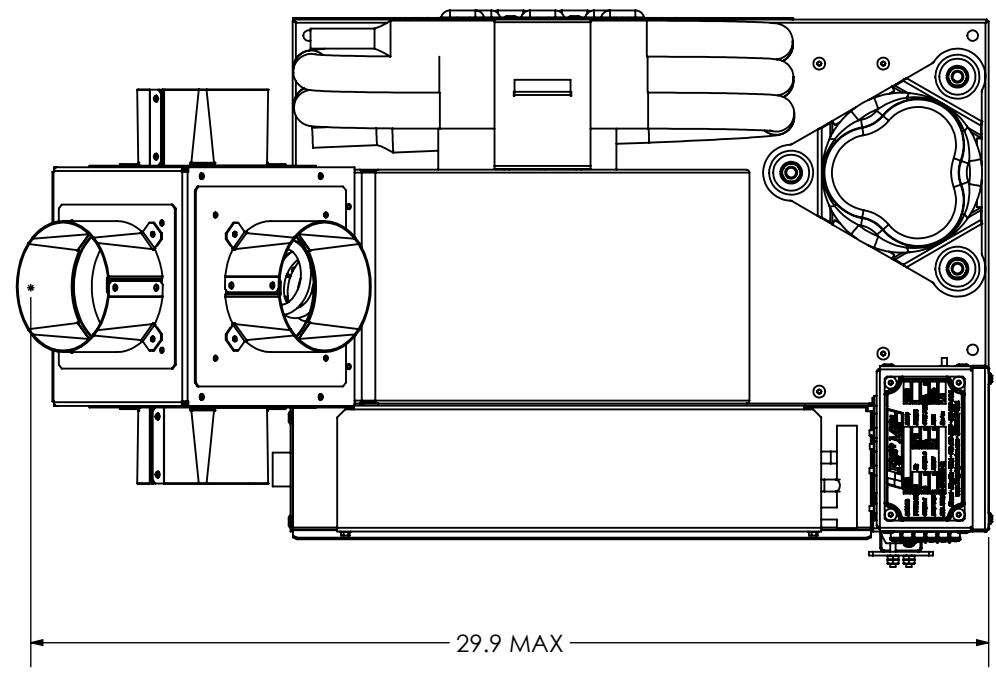
2427 SE DIXIE HIGHWAY | STUART | FLORIDA | 34996 | USA  
 (772) 283-1609 | (800) 316-6426 FAX (772) 283-4611

DRAWN	SWC	SIZE	DRAWING NO.		REV
CHECKED	-	B	FM20026		A
ENG APPR.	-	WGT: 137.53 LBS	SCALE: 1:8	SHEET 4 OF 5	

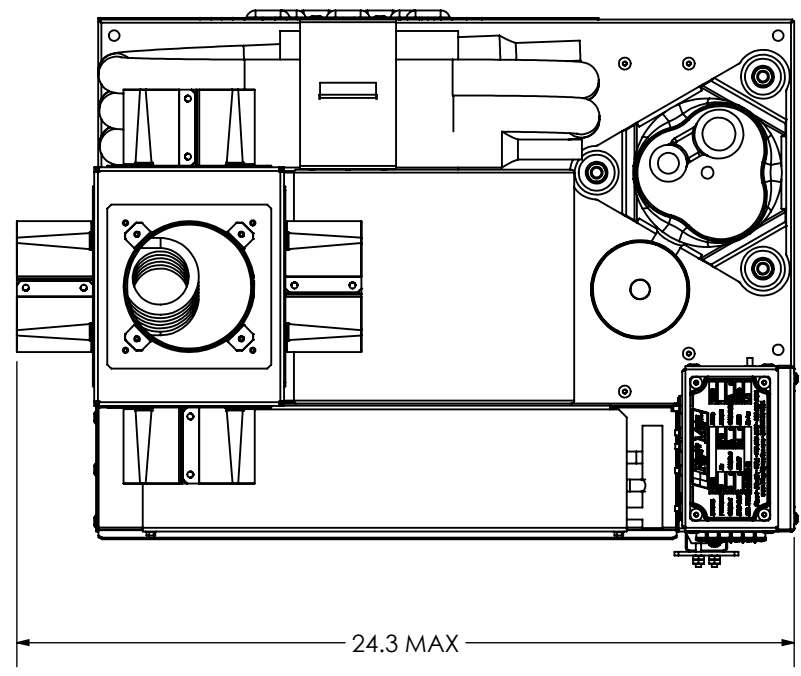
8 7 6 5 4 2 1

D  
C  
B  
A

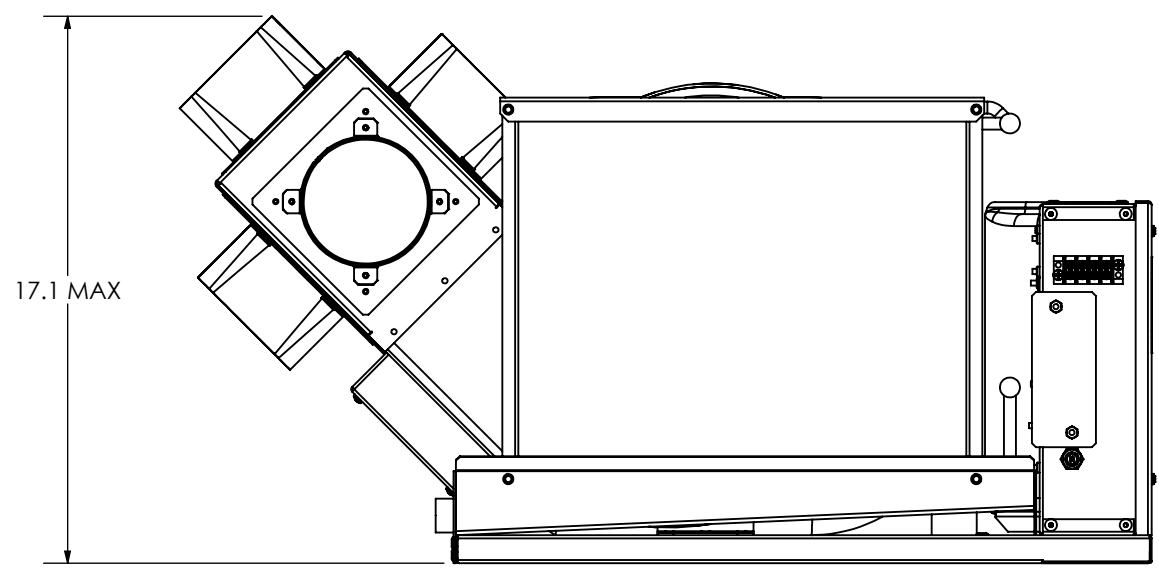
D  
C  
B  
A



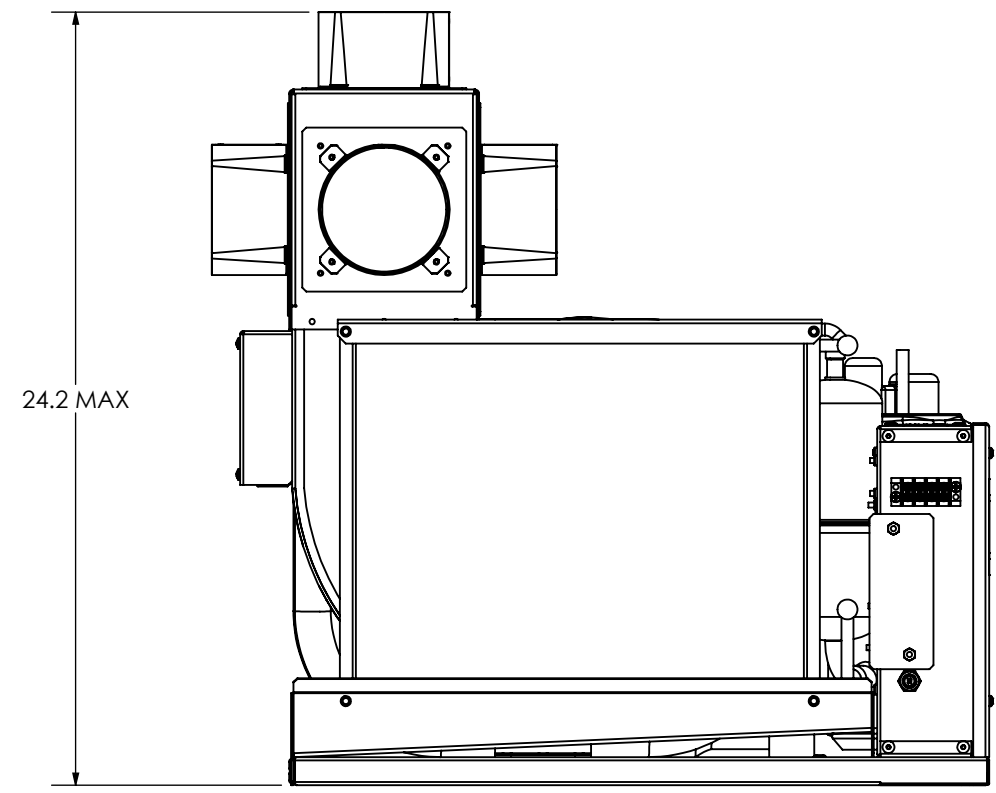
29.9 MAX



24.3 MAX




17.1 MAX



24.2 MAX

**20026-011**  
**SHOWN WITH OPTIONAL PLENUM & DISCHARGE RINGS**  
**FOR DIMENTIONAL REFERENCE ONLY**

**20026-012**  
**SHOWN WITH OPTIONAL PLENUM & DISCHARGE RINGS**  
**FOR DIMENTIONAL REFERENCE ONLY**

 2427 SE DIXIE HIGHWAY   STUART   FLORIDA   34996   USA (772) 283-1609   (800) 316-6426 FAX (772) 283-4611	DRAWN SWC	SIZE B	DRAWING NO. FM20026	REV A
	CHECKED -	WGT: 128.40 LBS	SCALE: 1:8	SHEET 5 OF 5
ENG APPR. -				

8 7 6 5 4 3 2 1