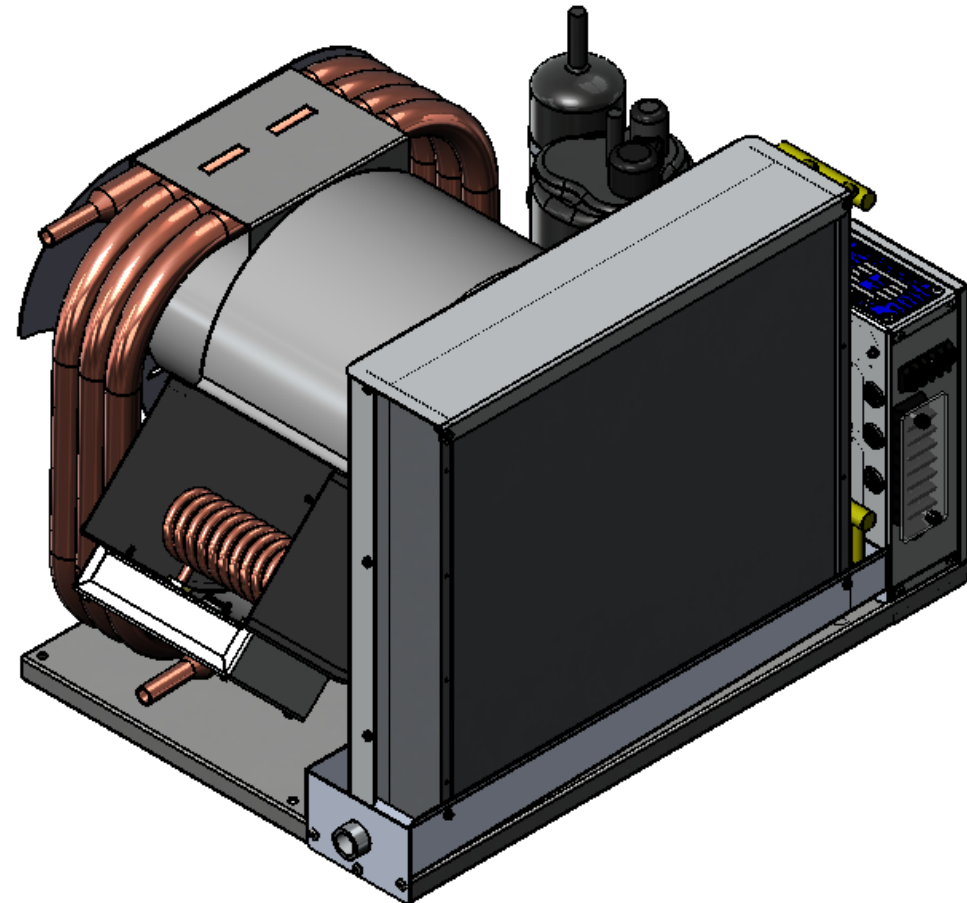


PART NUMBER	DESCRIPTION
20027-001	ASSEMBLY, AIR CONDITIONER FM24R, 230V SIDE
20027-011	ASSEMBLY, AIR CONDITIONER FM24R, 230V SIDE, WITH OPTIONAL HEAT

FLAGSHIP MARINE, INC.				
REV.	ZONE	DESCRIPTION	DATE	ENG APPROVAL
06		ADDED SHEET 5 OF 5 (SHOWN WITH PLENUM & DISCHARGE RINGS)	2/13/2014	
07		80903-001 WAS 80101-001 AND 70908-001 WAS 70114-001	5/14/2014	
A		RELEASED FOR MANUFACTURING	7/16/2014	



**20027-011 SHOWN  
SEE SHEET 3 OF 4 FOR DIMENSIONS**

25	lock washer spring regular ai		3	3
24	MSHXNUT 0.375-16-D-N	NUT, #8-32 MACHINE SCREW NUT 18-8 SS	3	3
23	80903-001	WELDMENT, DRY DRAIN PAN, EVAPORATOR, AIR CONDITIONER, FM24R, SIDE	1	1
22	80029-001	WELDMENT, BASE, AIR CONDITIONER, FM24R	1	1
21	70908-001	FABRICATION, SHROUD, EVAPORATOR, AIR CONDITIONER, FM24R, SIDE	1	1
20	70144-001	FABRICATION, BRACKET, BLOWER, AIR CONDITIONER, FM24R	1	1
19	70143-001	FABRICATION, SUPPORT, BASE, AIR CONDITIONER, FM24R	1	1
18	70141-001	FABRICATION, BRACKET, SIDE, CONDENSER, AIR CONDITIONER, FM24R - FM60R	1	1
17	70139-001	FABRICATION, LID, ENCLOSURE, HEATER COIL, AIR CONDITIONER, FM24R - FM60R	-	1
16	70138-001	FABRICATION, ENCLOSURE, HEATER COIL, AIR CONDITIONER, FM24R - FM60R	-	1
15	70093-001	DETAIL, PLATE, DECORATIVE CONDENSER COVER, FM24R	1	1
14	60534-001	WASHER, 3/8 X 1 1/4 FENDER WASHER, 18-8 SS	6	6
13	60533-001	RIVET, 3/16" DIA. .062-.125" GRIP RANGE, SSB6-2S	23	23
12	60527-001	SELF TAP, #8 X 1/2 HWH SELF DRILL 18-8 SS	16	20
11	60517-001	SCREW, #8-32 X 3/8" PAN HEAD MACHINE SCREW, #2 DRIVE PHILLIPS, 18-8 SS	-	4
10	60244-001	COMPRESSOR, 1PH, 60 Hz, 230V	1	1
9	60215-001	EVAPORATOR, 24000 MBTU, 16HX17W, 3 ROW	1	1
8	60131-001	GROMMET, 11/16" PUSH-IN LOCKING, NYLON	-	1
7	60071-001	STANDOFF, .385 ID X 1.406 OD X 1.00 THK, 70 DURO EPDM BLACK	3	2
6	60070-001	WASHER, .385 ID X 1.406 OD X .25 THK, 60 DURO EPDM BLACK	3	3
5	60062-001	THERMAL LIMIT SWITCH, 130 DEGREE	-	1
4	60035-001	HEATER ELEMENT, COIL, 74"L, 8MM, 4000W, 230VAC, DBL END THRD BULKHEAD	-	1
3	60012-001	BLOWER, PSC, FORWARD CURVE, DIRECT DRIVE, WHEEL DIA 8 1/4", 115/230V, 1202 CFM	1	1
2	50006-001	FABRICATION, TUBING, AIR CONDITIONER, FM24R	1	1
1	20015-001	ASSEMBLY, CONTROL BOX, SELF CONTAINED, A/C, UNIVERSAL	1	1

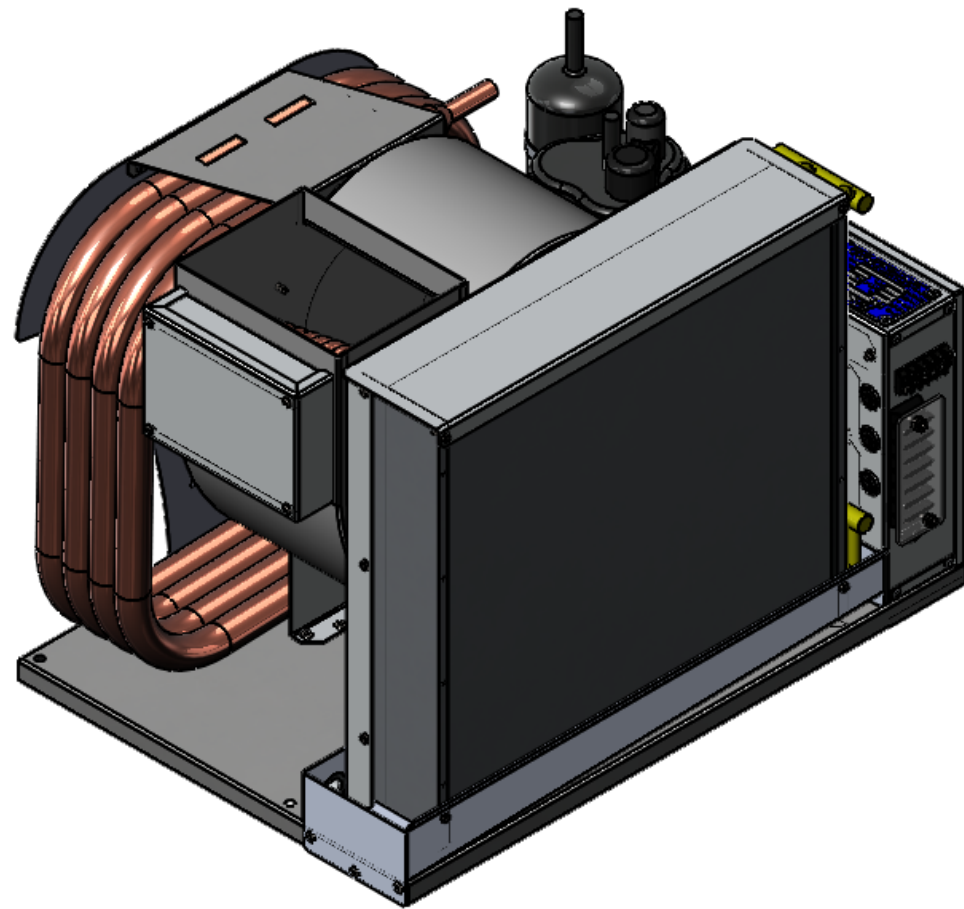
ITEM NO.	PART NUMBER	DESCRIPTION	20027-001/QTY.	20027-011/QTY.
----------	-------------	-------------	----------------	----------------

**FLAGSHIP MARINE, INC. BILL OF MATERIALS**

<p><b>FLAGSHIP MARINE, INC.</b> 2427 SE DIXIE HIGHWAY STUART   FLORIDA   34996   USA (772) 283-1609   (800) 316-6426 FAX (772) 283-4611</p>	-	-	UNLESS OTHERWISE SPECIFIED: DIMENSIONS ARE IN INCHES TOLERANCES: FRACTIONS ± 1/32 ANG: MACH ± 0°30' BEND ± 2° DECIMALS .XX ± .01 .XXX ± .005 HOLE Ø .XX ± .005	DRAWN	SWC	8/2/2010	TITLE: ASSEMBLY, AIR CONDITIONER FM24R, 230V SIDE  PART NO. <b>20027-XX1</b>
	-	-	INTERPRET GEOMETRIC TOLERANCING PER: ASME Y14.5M	CHECKED	TCM	-	
	-	-	MATERIAL	ENG APPR.	TCM	-	
	-	-	FINISH <b>NONE</b>	MFG APPR.	TCM	-	
PROPRIETARY AND CONFIDENTIAL THIS DOCUMENT CONTAINS INFORMATION PROPRIETARY TO FLAGSHIP MARINE, INC. NO PART MAY BE REPRODUCED, USED IN ANY FORM, OR STORED ELECTRONICALLY WITHOUT THE WRITTEN PERMISSION OF FLAGSHIP MARINE, INC.	NEXT ASSY	USED ON	PERP STRAIGHTNESS ± .003/IN FLATNESS ± .005/IN THREADS: EXTERNAL - CLASS 2A INTERNAL - CLASS 2B MACHINED SURFACES: √ U.O.S	Q.A.	EAS	-	SIZE <b>B</b> DWG. NO. <b>FM20027</b> REV <b>A</b> OLD PART NO. - SCALE: 1:6 WGT: 191.25 LBS SHEET 1 OF 5

- NOTES:
- NO SHARP EDGES PERMITTED.
  - PREFERRED LIMITS AND FITS PER ANSI B4.1 (INCHES).
  - DIMENSIONING & TOLERANCING PER ASME Y14.5M.

PART NUMBER	DESCRIPTION
20027-002	ASSEMBLY, AIR CONDITIONER FM24R, 230V TOP
20027-012	ASSEMBLY, AIR CONDITIONER FM24R, 230V TOP, WITH OPTIONAL HEAT



20027-012 SHOWN  
SEE SHEET 4 OF 4 FOR DIMENSIONS

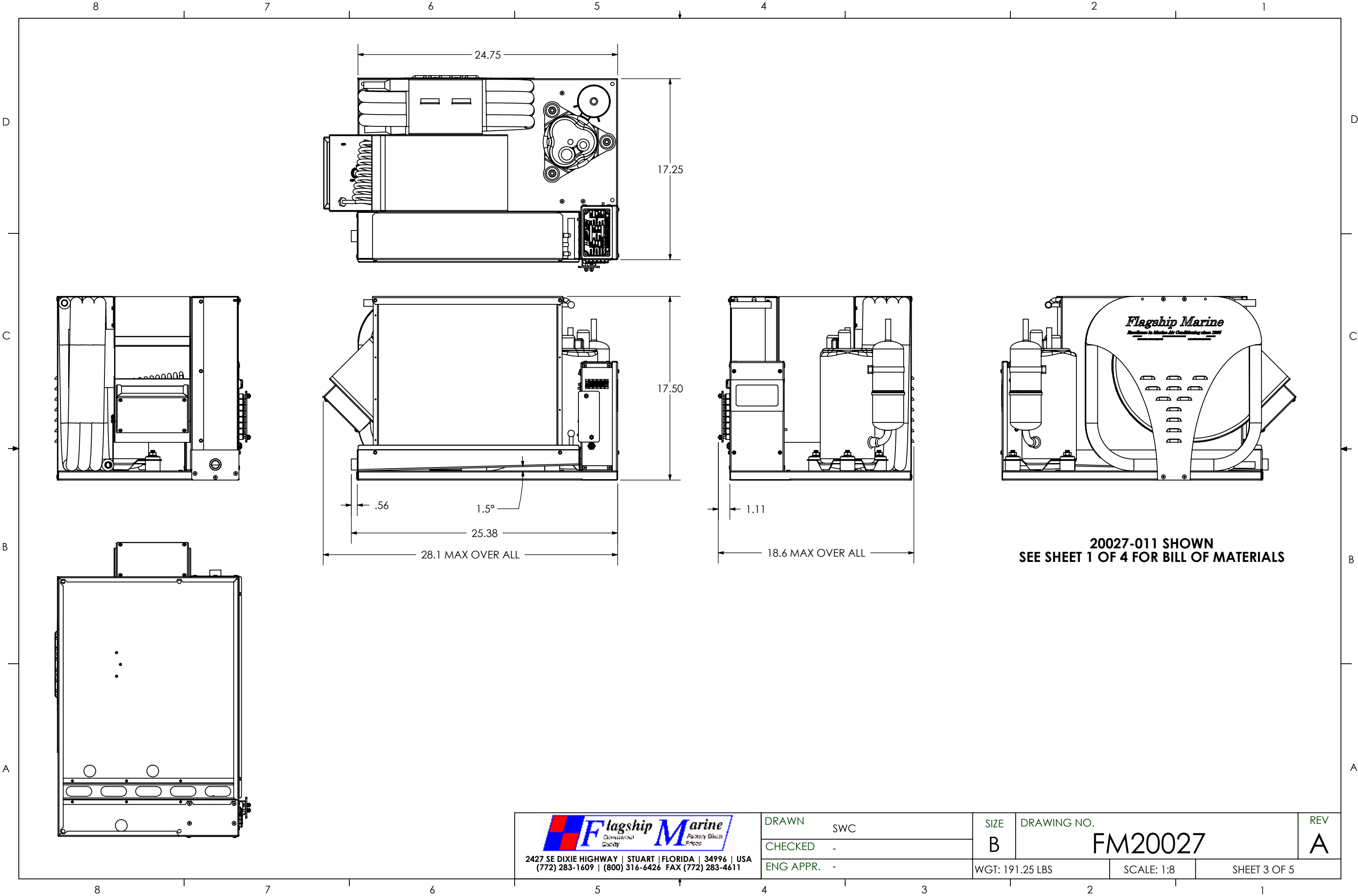
25	lock washer spring regular ai		3	3
24	MSHXNUT 0.375-16-D-N	NUT, #8-32 MACHINE SCREW NUT 18-8 SS	3	3
23	80903-002	WELDMENT, DRY DRAIN PAN, EVAPORATOR, AIR CONDITIONER, FM24R, TOP	1	1
22	80029-001	WELDMENT, BASE, AIR CONDITIONER, FM24R	1	1
21	70908-002	FABRICATION, SHROUD, EVAPORATOR, AIR CONDITIONER, FM24R, TOP	1	1
20	70144-001	FABRICATION, BRACKET, BLOWER, AIR CONDITIONER, FM24R	1	1
19	70143-001	FABRICATION, SUPPORT, BASE, AIR CONDITIONER, FM24R	1	1
18	70142-001	FABRICATION, BRACKET, TOP, CONDENSER, AIR CONDITIONER, FM24R - FM60R	1	1
17	70139-001	FABRICATION, LID, ENCLOSURE, HEATER COIL, AIR CONDITIONER, FM24R - FM60R	1	-
16	70138-001	FABRICATION, ENCLOSURE, HEATER COIL, AIR CONDITIONER, FM24R - FM60R	1	-
15	70093-001	DETAIL, PLATE, DECORATIVE CONDENSER COVER, FM24R	1	1
14	60534-001	WASHER, 3/8 X 1 1/4 FENDER WASHER, 18-8 SS	6	6
13	60533-001	RIVET, 3/16" DIA. .062-.125" GRIP RANGE, SSB6-2S	23	23
12	60527-001	SELF TAP, #8 X 1/2 HWH SELF DRILL 18-8 SS	19	16
11	60517-001	SCREW, #8-32 X 3/8" PAN HEAD MACHINE SCREW, #2 DRIVE PHILLIPS, 18-8 SS	4	-
10	60244-001	COMPRESSOR, 1PH, 60 Hz, 230V	1	1
9	60215-001	EVAPORATOR, 24000 MBTU, 16HX17W, 3 ROW	1	1
8	60131-001	GROMMET, 11/16" PUSH-IN LOCKING, NYLON	1	-
7	60071-001	STANDOFF, .385 ID X 1.406 OD X 1.00 THK, 70 DURO EPDM BLACK	2	2
6	60070-001	WASHER, .385 ID X 1.406 OD X .25 THK, 60 DURO EPDM BLACK	3	3
5	60062-001	THERMAL LIMIT SWITCH, 130 DEGREE	1	-
4	60035-001	HEATER ELEMENT, COIL, 74"L, 8MM, 4000W, 230VAC, DBL END THRD BULKHEAD	1	-
3	60012-001	BLOWER, PSC, FORWARD CURVE, DIRECT DRIVE, WHEEL DIA 8 1/4", 115/230V, 1202 CFM	1	1
2	50006-001	FABRICATION, TUBING, AIR CONDITIONER, FM24R	1	1
1	20015-001	ASSEMBLY, CONTROL BOX, SELF CONTAINED, A/C, UNIVERSAL	1	1

ITEM NO.	PART NUMBER	DESCRIPTION	20027-012/QTY.	20027-002/QTY.
----------	-------------	-------------	----------------	----------------

**FLAGSHIP MARINE, INC. BILL OF MATERIALS**

<p><b>FLAGSHIP MARINE, INC.</b> 2427 SE DIXIE HIGHWAY STUART   FLORIDA   34996   USA (772) 283-1609   (800) 316-6426 FAX (772) 283-4611</p>	-	-	UNLESS OTHERWISE SPECIFIED: DIMENSIONS ARE IN INCHES TOLERANCES: FRACTIONS ± 1/32 ANG: MACH ± 0°30' BEND ± 2° DECIMALS .XX ± .01 .XXX ± .005 HOLE Ø .XX ± .005	DRAWN	SWC	8/2/2010	TITLE: ASSEMBLY, AIR CONDITIONER FM24R, 230V TOP  PART NO. <b>20027-XX2</b>
	-	-	INTERPRET GEOMETRIC TOLERANCING PER: ASME Y14.5M	CHECKED	TCM	-	
	-	-	MATERIAL	ENG APPR.	TCM	-	
	-	-	FINISH <b>NONE</b>	MFG APPR.	TCM	-	
PROPRIETARY AND CONFIDENTIAL THIS DOCUMENT CONTAINS INFORMATION PROPRIETARY TO FLAGSHIP MARINE, INC. NO PART MAY BE REPRODUCED, USED IN ANY FORM, OR STORED ELECTRONICALLY WITHOUT THE WRITTEN PERMISSION OF FLAGSHIP MARINE, INC.	NEXT ASSY	USED ON	PERP STRAIGHTNESS ± .003/IN FLATNESS ± .005/IN THREADS: EXTERNAL - CLASS 2A INTERNAL - CLASS 2B MACHINED SURFACES: √ U.O.S	Q.A.	EAS	-	SIZE <b>B</b> DWG. NO. <b>FM20027</b> REV <b>A</b>
NOTES:	APPLICATION	DO NOT SCALE DRAWING					OLD PART NO. - SCALE: 1:6 WGT: 191.17 LBS SHEET 2 OF 5

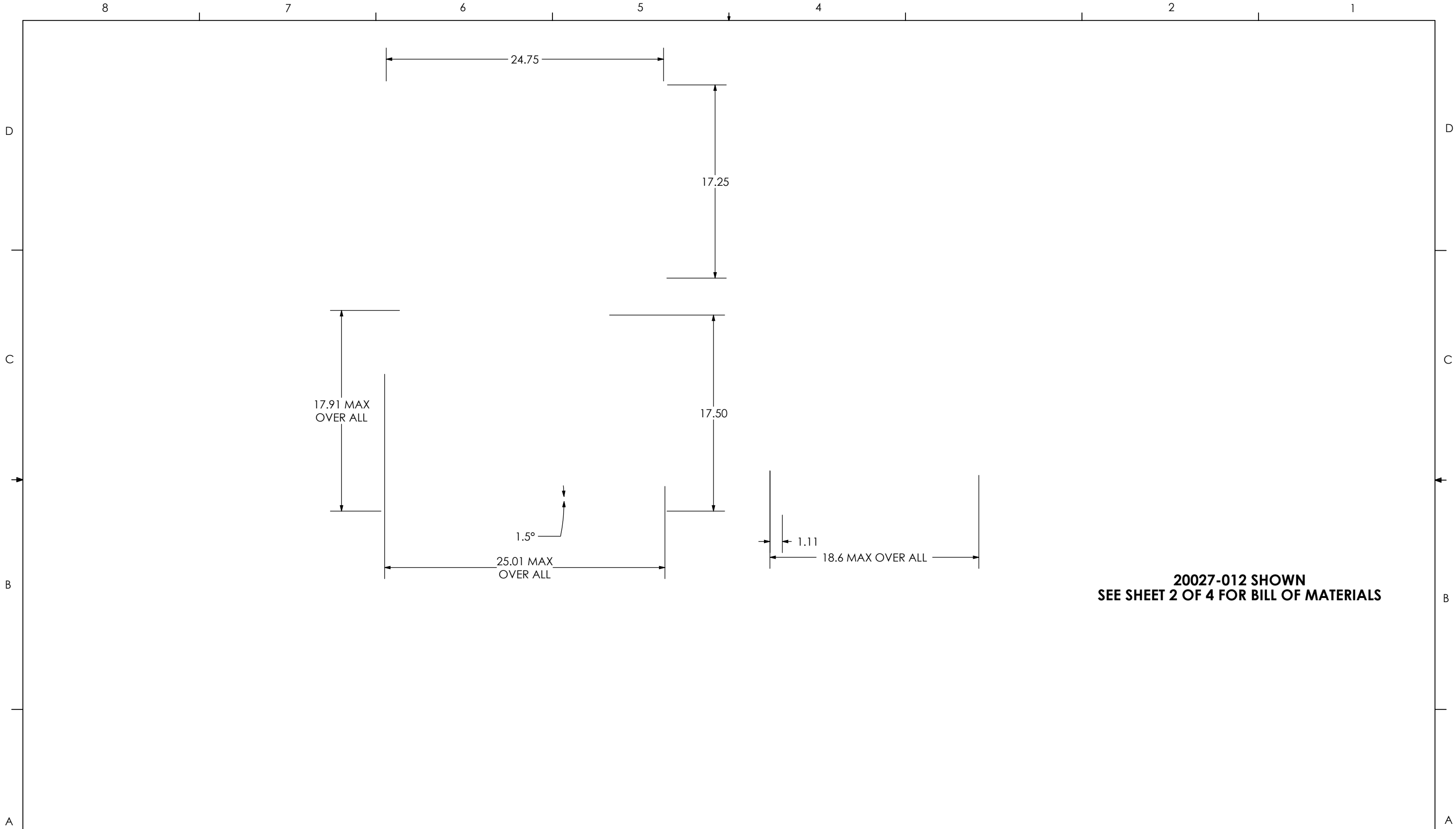
- 3. NO SHARP EDGES PERMITTED.
- 2. PREFERRED LIMITS AND FITS PER ANSI B4.1 (INCHES).
- 1. DIMENSIONING & TOLERANCING PER ASME Y14.5M.




**Flagship Marine**  
 COMMITMENT TO QUALITY  
 PRECISION DESIGN  
 EXACT FIT

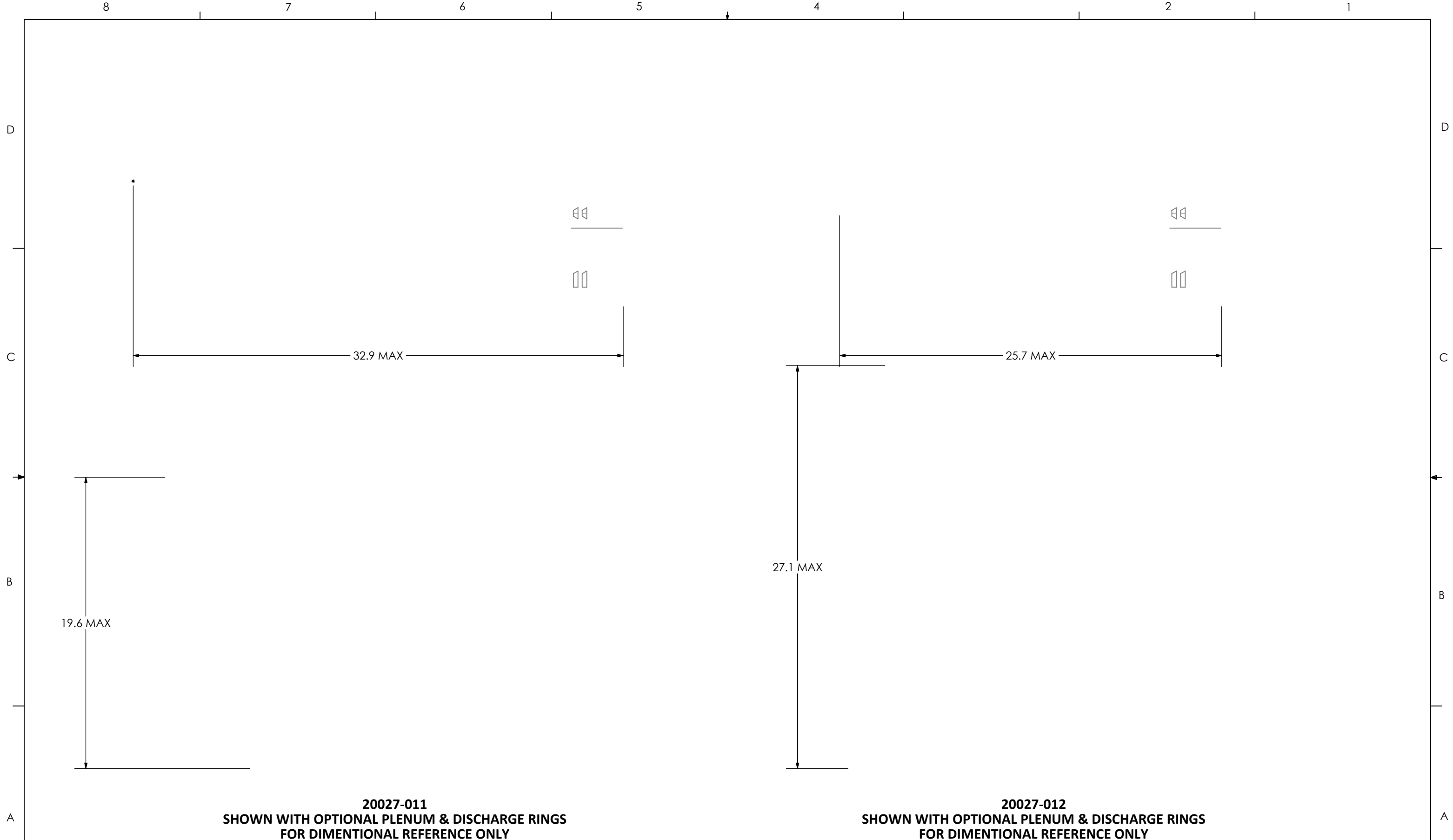
2427 SE DIXIE HIGHWAY | STUART | FLORIDA | 34996 | USA  
 (772) 283-1609 | (800) 316-6426 FAX (772) 283-4611

DRAWN	SWC	SIZE	DRAWING NO.	REV
CHECKED	-	B	FM20027	A
ENG APPR.	-	WGT: 191.25 LBS	SCALE: 1:8	SHEET 3 OF 5



**20027-012 SHOWN  
SEE SHEET 2 OF 4 FOR BILL OF MATERIALS**

 <p><b>Flagship Marine</b> COMMERCIAL QUALITY POLYURETHANE PARTS</p> <p>2427 SE DIXIE HIGHWAY   STUART   FLORIDA   34996   USA (772) 283-1609   (800) 316-6426 FAX (772) 283-4611</p>	DRAWN SWC	SIZE B	DRAWING NO. FM20027		REV A
	CHECKED -	WGT: 191.17 LBS	SCALE: 1:8	SHEET 4 OF 5	
ENG APPR. -					



2427 SE DIXIE HIGHWAY | STUART | FLORIDA | 34996 | USA  
 (772) 283-1609 | (800) 316-6426 FAX (772) 283-4611

DRAWN	SWC	SIZE	DRAWING NO.		REV
CHECKED	-	B	FM20027		A
ENG APPR.	-	WGT: 192.77 LBS	SCALE: 1:8	SHEET 5 OF 5	