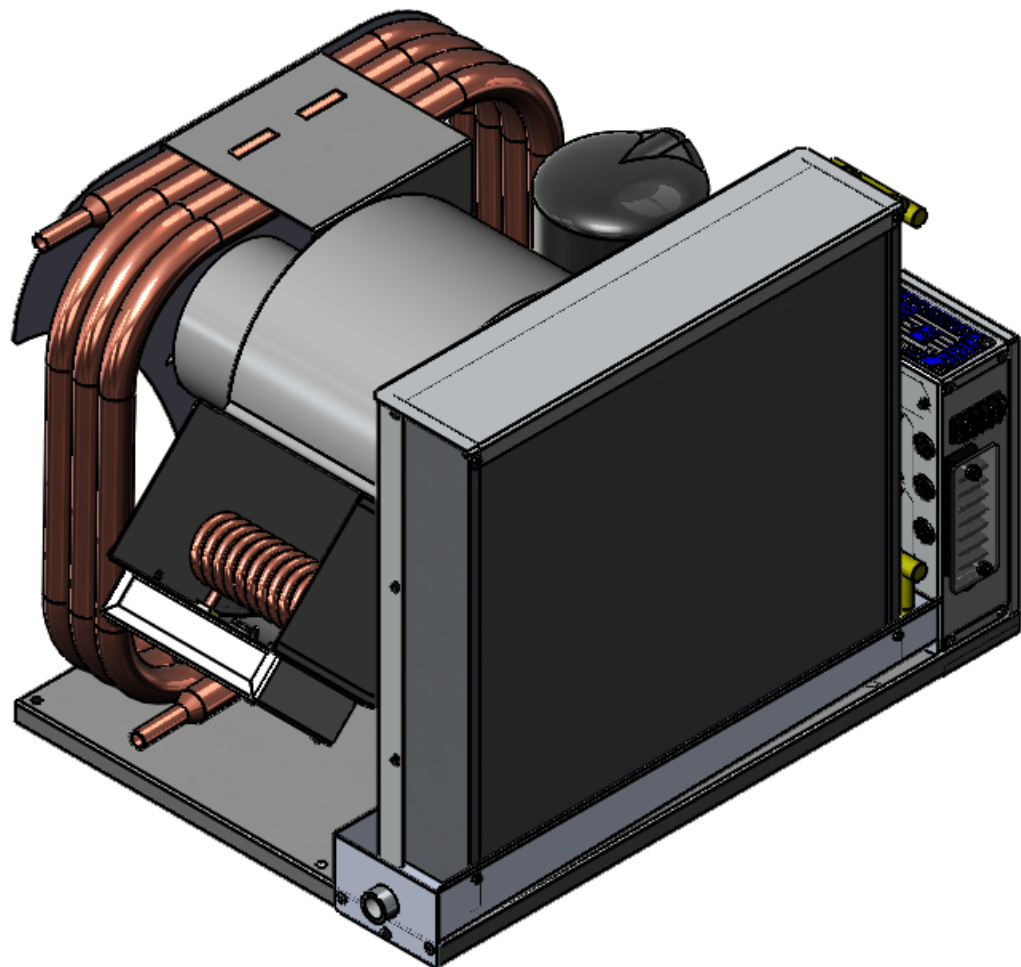


PART NUMBER	DESCRIPTION
20029-001	ASSEMBLY, AIR CONDITIONER FM36S, 230V SIDE
20029-011	ASSEMBLY, AIR CONDITIONER FM36S, 230V SIDE, WITH OPTIONAL HEAT

FLAGSHIP MARINE, INC.				
REV.	ZONE	DESCRIPTION	DATE	ENG APPROVAL
01		INITIAL CHECK-IN	8/8/2014	



**20029-011 SHOWN
SEE SHEET 3 OF 4 FOR DIMENSIONS**

25	lock washer spring regular_ai		4	4
24	70094-001	DETAIL, PLATE, DECORATIVE CONDENSER COVER, FM36R	1	1
23	MSHXNUT 0.375-16-D-N	NUT, #8-32 MACHINE SCREW NUT 18-8 SS	4	4
22	FM60307	COMPRESSOR, SCROLL, 1PH, 60 Hz, 230V, 32600 BTU	1	1
21	80904-001	WELDMENT, DRY DRAIN PAN, EVAPORATOR, AIR CONDITIONER, FM36R, SIDE	1	1
20	80030-002	WELDMENT, BASE, AIR CONDITIONER, SIDE, FM36S	1	1
19	70910-001	FABRICATION, SHROUD, EVAPORATOR, AIR CONDITIONER, FM36R, SIDE	1	1
18	70144-002	FABRICATION, BRACKET, BLOWER, AIR CONDITIONER, FM36R	1	1
17	70143-003	FABRICATION, SUPPORT, BASE, AIR CONDITIONER, FM36S	1	1
16	70141-002	FABRICATION, BRACKET, SIDE, CONDENSER, AIR CONDITIONER, FM36S	1	1
15	70139-001	FABRICATION, LID, ENCLOSURE, HEATER COIL, AIR CONDITIONER, FM24R - FM60R	-	1
14	70138-001	FABRICATION, ENCLOSURE, HEATER COIL, AIR CONDITIONER, FM24R - FM60R	-	1
13	60534-001	WASHER, 3/8 X 1 1/4 FENDER WASHER, 18-8 SS	4	4
12	60533-001	RIVET, 3/16" DIA. .062-.125" GRIP RANGE, SSB6-2S	25	25
11	60527-001	SELF TAP, #8 X 1/2 HWH SELF DRILL 18-8 SS	17	21
10	60517-001	SCREW, #8-32 X 3/8" PAN HEAD MACHINE SCREW, #2 DRIVE PHILLIPS, 18-8 SS	-	4
9	60216-001	EVAPORATOR, 36000 MBTU, 17.50HX18.13W, 3 ROW	1	1
8	60131-001	GROMMET, 11/16" PUSH-IN LOCKING, NYLON	-	1
7	60071-001	STANDOFF, .385 ID X 1.406 OD X 1.00 THK, 70 DURO EPDM BLACK	4	3
6	60070-001	WASHER, .385 ID X 1.406 OD X .25 THK, 60 DURO EPDM BLACK	4	4
5	60062-001	THERMAL LIMIT SWITCH, 130 DEGREE	-	1
4	60035-001	HEATER ELEMENT, COIL, 74"L, 8MM, 4000W, 230VAC, DBL END THRD BULKHEAD	-	1
3	60012-001	BLOWER, PSC, FORWARD CURVE, DIRECT DRIVE, WHEEL DIA 8 1/4", 115/230V, 1202 CFM	1	1
2	50012-001	FABRICATION, TUBING, AIR CONDITIONER, FM36R	1	1
1	20015-001	ASSEMBLY, CONTROL BOX, SELF CONTAINED, A/C, UNIVERSAL	1	1

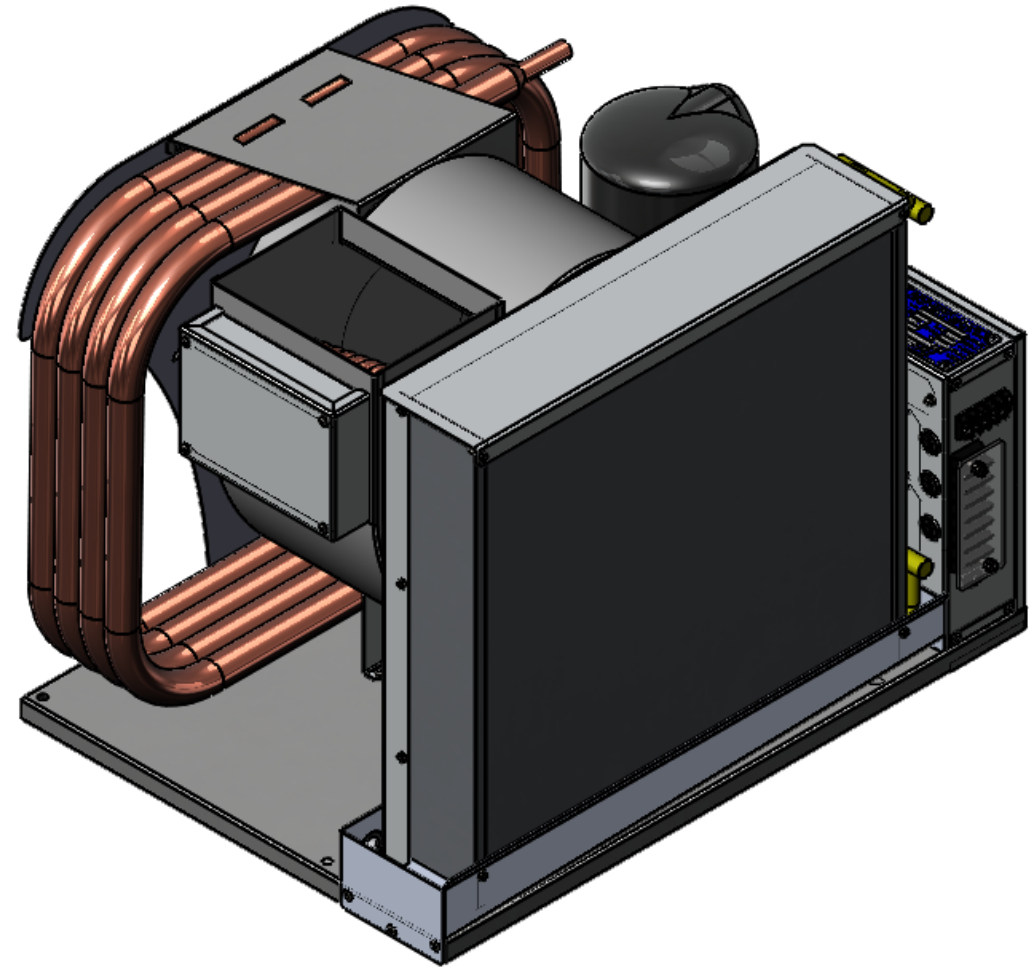
ITEM NO.	PART NUMBER	DESCRIPTION	20029-001/QTY.	20029-011/QTY.
----------	-------------	-------------	----------------	----------------

FLAGSHIP MARINE, INC. BILL OF MATERIALS

<p>FLAGSHIP MARINE, INC. 2427 SE DIXIE HIGHWAY STUART FLORIDA 34996 USA (772) 283-1609 (800) 316-6426 FAX (772) 283-4611</p>	-	-	UNLESS OTHERWISE SPECIFIED: DIMENSIONS ARE IN INCHES TOLERANCES: FRACTIONS ± 1/32 ANG: MACH ± 0°30' BEND ± 2° DECIMALS .XX ± .01 .XXX ± .005 HOLE Ø .XX ± .005	DRAWN	SWC	8/2/2010	TITLE: ASSEMBLY, AIR CONDITIONER FM36S, 230V SIDE PART NO. 20029-XX1
	-	-	INTERPRET GEOMETRIC TOLERANCING PER: ASME Y14.5M	CHECKED	TCM	-	
	-	-	MATERIAL	ENG APPR.	TCM	-	
	-	-	FINISH NONE	MFG APPR.	TCM	-	
PROPRIETARY AND CONFIDENTIAL THIS DOCUMENT CONTAINS INFORMATION PROPRIETARY TO FLAGSHIP MARINE, INC. NO PART MAY BE REPRODUCED, USED IN ANY FORM, OR STORED ELECTRONICALLY WITHOUT THE WRITTEN PERMISSION OF FLAGSHIP MARINE, INC.	NEXT ASSY	USED ON	PERP STRAIGHTNESS ± .003/IN FLATNESS ± .005/IN THREADS: EXTERNAL - CLASS 2A INTERNAL - CLASS 2B MACHINED SURFACES: √ U.O.S	Q.A.	EAS	-	SIZE B DWG. NO. FM20029 REV 01 OLD PART NO. - SCALE: 1:6 WGT: 248.19 LBS SHEET 1 OF 5

- NOTES:
1. DIMENSIONING & TOLERANCING PER ASME Y14.5M.
 2. PREFERRED LIMITS AND FITS PER ANSI B4.1 (INCHES).
 3. NO SHARP EDGES PERMITTED.

PART NUMBER	DESCRIPTION
20029-002	ASSEMBLY, AIR CONDITIONER FM36S, 230V TOP
20029-012	ASSEMBLY, AIR CONDITIONER FM36S, 230V TOP, WITH OPTIONAL HEAT



20029-012 SHOWN
SEE SHEET 4 OF 4 FOR DIMENSIONS

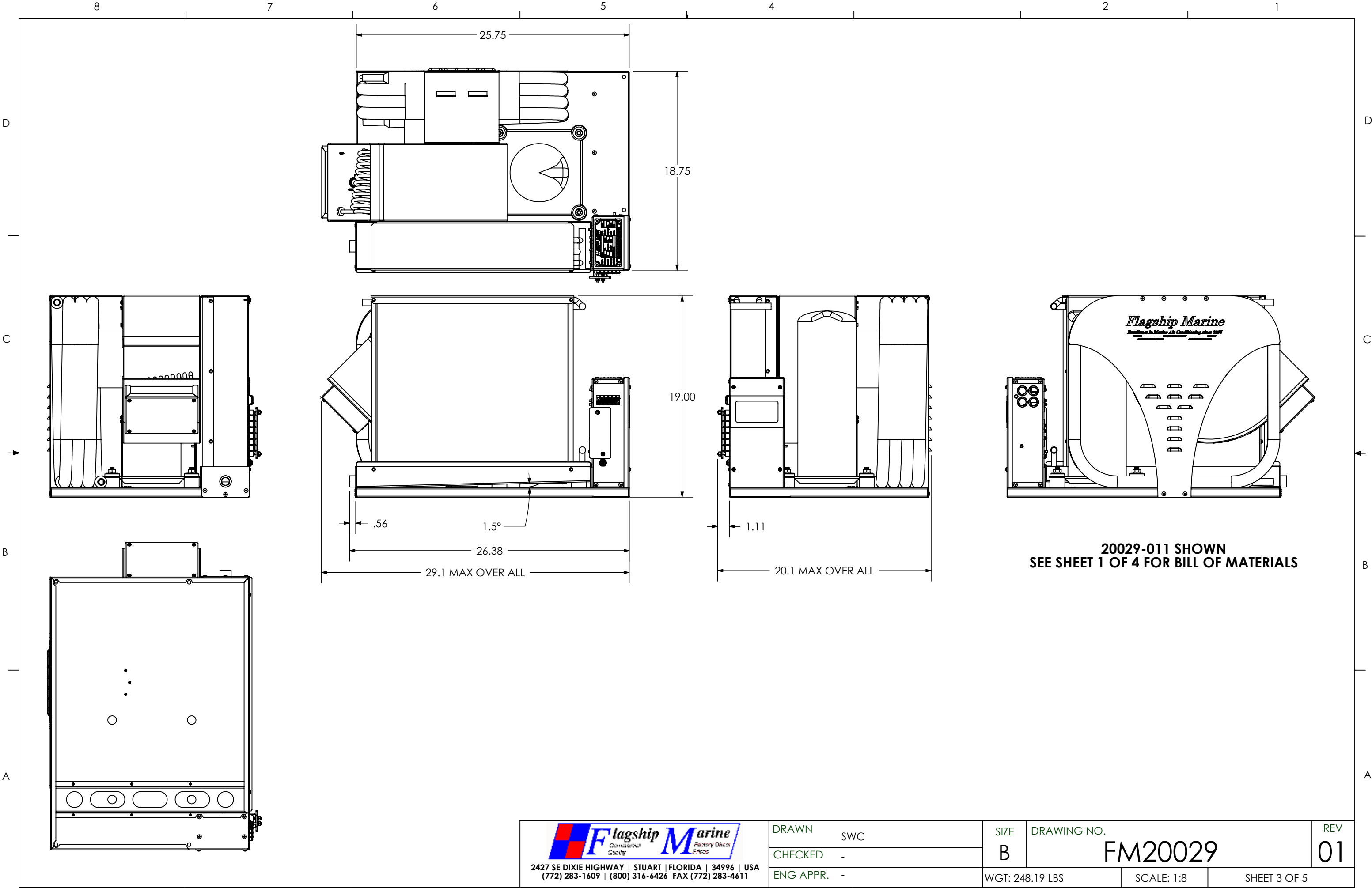
25	lock washer spring regular_ai		4	4
24	70094-001	DETAIL, PLATE, DECORATIVE CONDENSER COVER, FM36R	1	1
23	MSHXNUT 0.375-16-D-N	NUT, #8-32 MACHINE SCREW NUT 18-8 SS	4	4
22	FM60307	COMPRESSOR, SCROLL, 1PH, 60 Hz, 230V, 32600 BTU	1	1
21	80904-002	WELDMENT, DRY DRAIN PAN, EVAPORATOR, AIR CONDITIONER, FM36R, TOP	1	1
20	80030-003	WELDMENT, BASE, AIR CONDITIONER, TOP, FM36S	1	1
19	70910-002	FABRICATION, SHROUD, EVAPORATOR, AIR CONDITIONER, FM36R, TOP	1	1
18	70144-002	FABRICATION, BRACKET, BLOWER, AIR CONDITIONER, FM36R	1	1
17	70143-003	FABRICATION, SUPPORT, BASE, AIR CONDITIONER, FM36S	1	1
16	70142-002	FABRICATION, BRACKET, TOP, CONDENSER, AIR CONDITIONER, FM36S	1	1
15	70139-001	FABRICATION, LID, ENCLOSURE, HEATER COIL, AIR CONDITIONER, FM24R - FM60R	1	-
14	70138-001	FABRICATION, ENCLOSURE, HEATER COIL, AIR CONDITIONER, FM24R - FM60R	1	-
13	60534-001	WASHER, 3/8 X 1 1/4 FENDER WASHER, 18-8 SS	4	4
12	60533-001	RIVET, 3/16" DIA. .062-.125" GRIP RANGE, SSB6-2S	25	25
11	60527-001	SELF TAP, #8 X 1/2 HWH SELF DRILL 18-8 SS	21	17
10	60517-001	SCREW, #8-32 X 3/8" PAN HEAD MACHINE SCREW, #2 DRIVE PHILLIPS, 18-8 SS	4	-
9	60216-001	EVAPORATOR, 36000 MBTU, 17.50HX18.13W, 3 ROW	1	1
8	60131-001	GROMMET, 11/16" PUSH-IN LOCKING, NYLON	1	-
7	60071-001	STANDOFF, .385 ID X 1.406 OD X 1.00 THK, 70 DURO EPDM BLACK	3	3
6	60070-001	WASHER, .385 ID X 1.406 OD X .25 THK, 60 DURO EPDM BLACK	4	4
5	60062-001	THERMAL LIMIT SWITCH, 130 DEGREE	1	-
4	60035-001	HEATER ELEMENT, COIL, 74"L, 8MM, 4000W, 230VAC, DBL END THRD BULKHEAD	1	-
3	60012-001	BLOWER, PSC, FORWARD CURVE, DIRECT DRIVE, WHEEL DIA 8 1/4", 115/230V, 1202 CFM	1	1
2	50012-001	FABRICATION, TUBING, AIR CONDITIONER, FM36R	1	1
1	20015-001	ASSEMBLY, CONTROL BOX, SELF CONTAINED, A/C, UNIVERSAL	1	1

ITEM NO.	PART NUMBER	DESCRIPTION	20029-012/QTY.	20029-002/QTY.
----------	-------------	-------------	----------------	----------------

FLAGSHIP MARINE, INC. BILL OF MATERIALS									
<p>FLAGSHIP MARINE, INC. 2427 SE DIXIE HIGHWAY STUART FLORIDA 34996 USA (772) 283-1609 (800) 316-6426 FAX (772) 283-4611</p> <p>PROPRIETARY AND CONFIDENTIAL</p> <p>THIS DOCUMENT CONTAINS INFORMATION PROPRIETARY TO FLAGSHIP MARINE, INC. NO PART MAY BE REPRODUCED, USED IN ANY FORM, OR STORED ELECTRONICALLY WITHOUT THE WRITTEN PERMISSION OF FLAGSHIP MARINE, INC.</p>	-	-	UNLESS OTHERWISE SPECIFIED:		NAME	DATE	TITLE: ASSEMBLY, AIR CONDITIONER FM36S, 230V TOP		
	-	-	DIMENSIONS ARE IN INCHES	DRAWN	SWC	8/2/2010			
	-	-	TOLERANCES:	CHECKED	TCM	-	PART NO. 20029-XX2		
	-	-	FRACTIONS ± 1/32	ENG APPR.	TCM	-			
	-	-	ANG: MACH ± 0°30' BEND ± 2°	MFG APPR.	TCM	-	SIZE DWG. NO. REV B FM20029 01		
-	-	DECIMALS .XX ± .01	Q.A.	EAS	-				
-	-	.XXX ± .005	PERP STRAIGHTNESS ± .003/IN			SCALE: 1:6 WGT: 248.12 LBS SHEET 2 OF 5			
-	-	HOLE Ø .XX ± .005	FLATNESS ± .005/IN						
-	-	INTERPRET GEOMETRIC TOLERANCING PER: ASME Y14.5M	THREADS:			OLD PART NO. -			
-	-	MATERIAL	EXTERNAL - CLASS 2A						
-	-	FINISH	INTERNAL - CLASS 2B			MACHINED SURFACES: √ U.O.S			
-	-	NONE	DO NOT SCALE DRAWING						
-	-	APPLICATION	DO NOT SCALE DRAWING			MACHINED SURFACES: √ U.O.S			
-	-	USED ON	DO NOT SCALE DRAWING						

3. NO SHARP EDGES PERMITTED.
2. PREFERRED LIMITS AND FITS PER ANSI B4.1 (INCHES).
1. DIMENSIONING & TOLERANCING PER ASME Y14.5M.

NOTES:

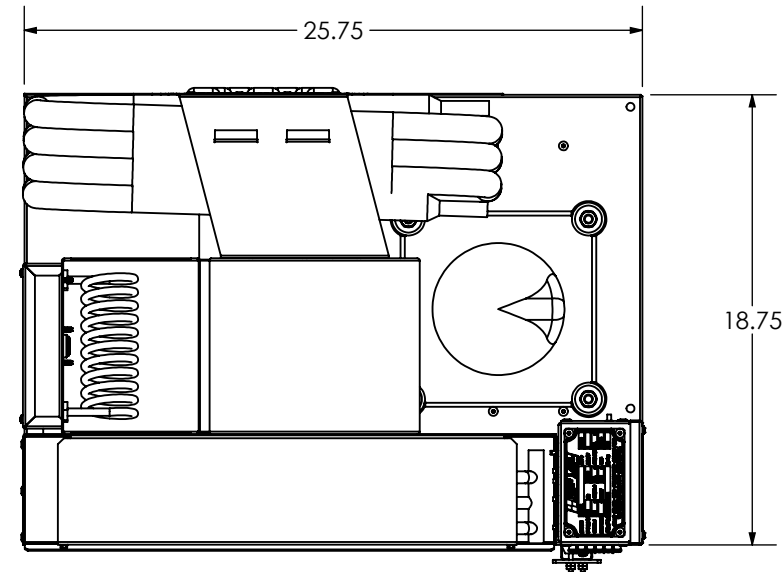


20029-011 SHOWN
SEE SHEET 1 OF 4 FOR BILL OF MATERIALS

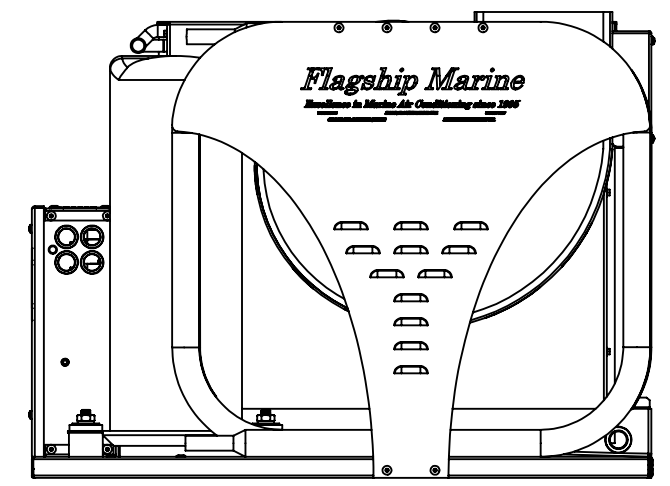
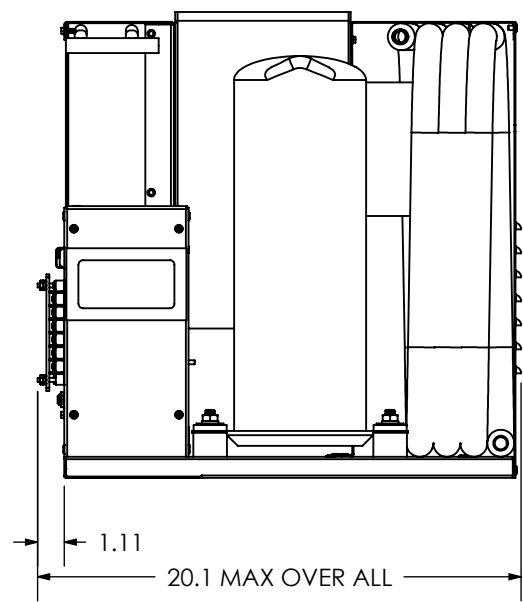
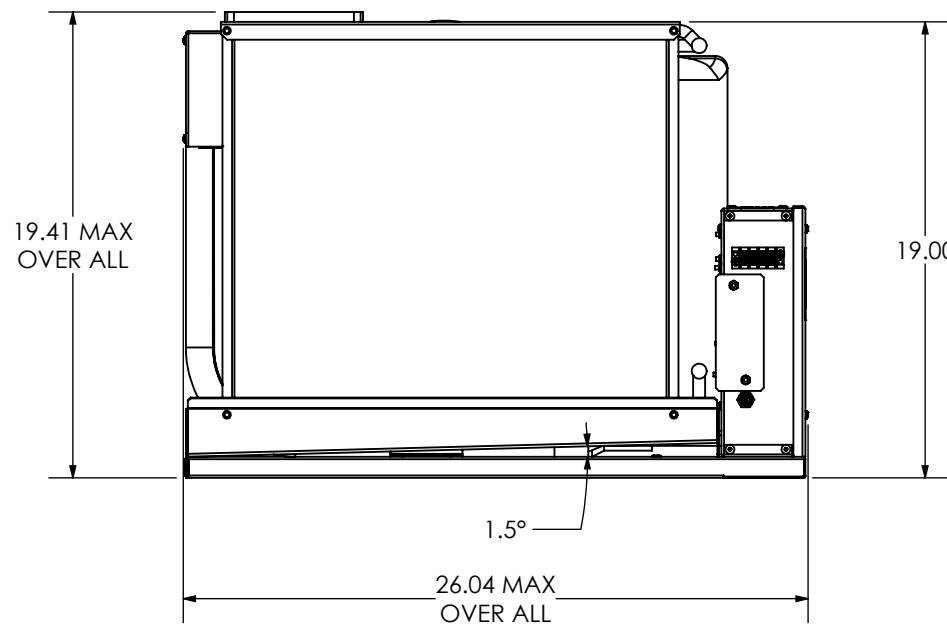
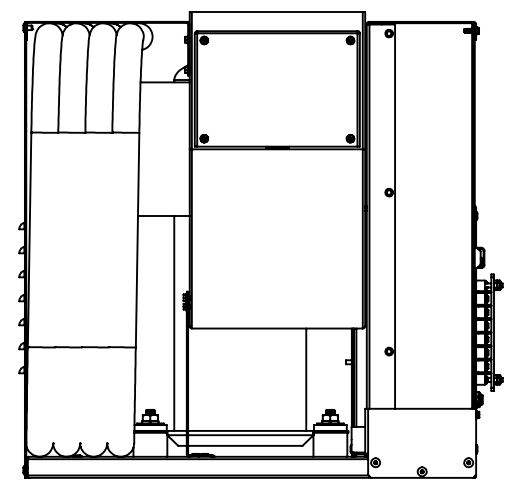
 <p>2427 SE DIXIE HIGHWAY STUART FLORIDA 34996 USA (772) 283-1609 (800) 316-6426 FAX (772) 283-4611</p>	DRAWN	SWC	SIZE	DRAWING NO.	REV
	CHECKED	-	B	FM20029	01
ENG APPR.	-	WGT: 248.19 LBS	SCALE: 1:8	SHEET 3 OF 5	

8 7 6 5 4 3 2 1

D



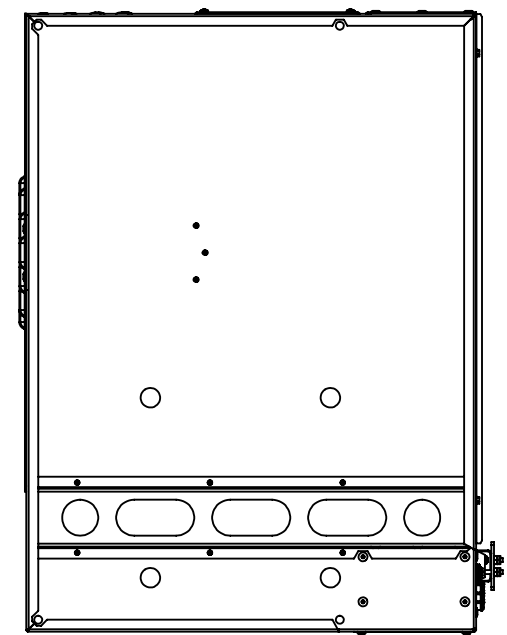
C




B

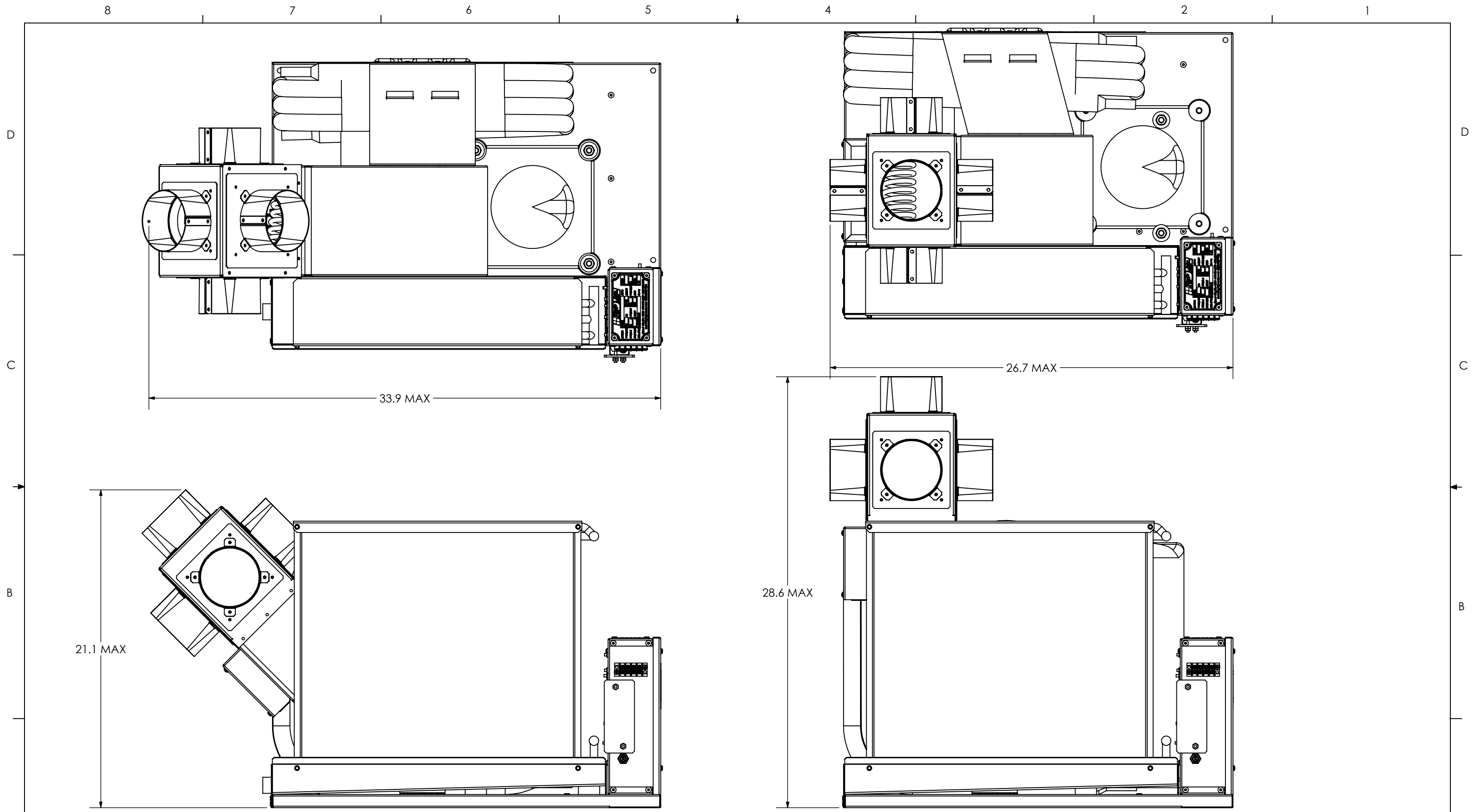
**20029-012 SHOWN
 SEE SHEET 2 OF 4 FOR BILL OF MATERIALS**

A




8 7 6 5 4 3 2 1

 2427 SE DIXIE HIGHWAY STUART FLORIDA 34996 USA (772) 283-1609 (800) 316-6426 FAX (772) 283-4611	DRAWN	SWC	SIZE	DRAWING NO.	REV
	CHECKED	-	B	FM20029	01
ENG APPR.	-	WGT: 248.12 LBS	SCALE: 1:8	SHEET 4 OF 5	



20029-011
 SHOWN WITH OPTIONAL PLENUM & DISCHARGE RINGS
 FOR DIMENTIONAL REFERENCE ONLY

20029-012
 SHOWN WITH OPTIONAL PLENUM & DISCHARGE RINGS
 FOR DIMENTIONAL REFERENCE ONLY

 2427 SE DIXIE HIGHWAY STUART FLORIDA 34996 USA (772) 283-1609 (800) 316-6426 FAX (772) 283-4611	DRAWN SWC	SIZE B	DRAWING NO. FM20029	REV 01
	CHECKED -	WGT: 249.72 LBS	SCALE: 1:8	SHEET 5 OF 5
ENG APPR. -				