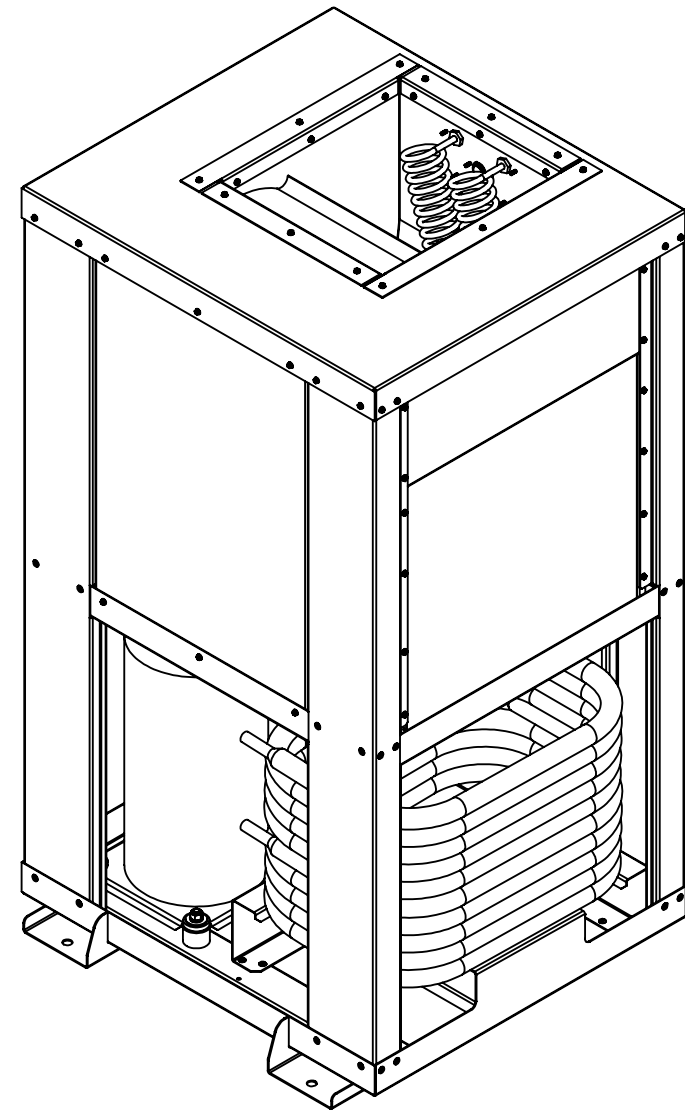


| PART NUMBER | DESCRIPTION |
|-------------|--|
| 20058-001 | ASSEMBLY, AIR CONDITIONER FMAC48S-V, TOP, 230V |
| 20058-011 | ASSEMBLY, AIR CONDITIONER FMAC48S-V, TOP, 230V, WITH OPTIONAL HEAT |

| FLAGSHIP MARINE, INC. | | | | |
|-----------------------|------|------------------|-----------|--------------|
| REV. | ZONE | DESCRIPTION | DATE | ENG APPROVAL |
| 01 | | INITIAL CHECK-IN | 2/18/2014 | |

D
C
B
A



| | | | | |
|----|------------|--|----|----|
| 32 | 8C375MXPS | #8-32 x 3/8" PHMS 18-8 SS | - | 4 |
| 31 | 80051-001 | WELDMENT, DRAIN PAN, AIR CONDITIONER, FMAC60S-V | 1 | 1 |
| 30 | 80050-001 | WELDMENT, BASE, AIR CONDITIONER, FMAC60S-V | 1 | 1 |
| 29 | 70169-001 | FABRICATION, LID, ENCLOSURE, HEATER COIL, AIR CONDITIONER, FM48S - FM180S | - | 1 |
| 28 | 70168-001 | FABRICATION, ENCLOSURE, HEATER COIL, AIR CONDITIONER, FM48S - FM180S | - | 1 |
| 27 | 70164-001 | FABRICATION, PANEL, CLOSE OUT, AIR CONDITIONER, FMAC48S-V/FMAC96S-V | 2 | 2 |
| 26 | 70081-001 | FABRICATION, BRACKET, BLOWER, AIR CONDITIONER, FM48S/60S/72S/96S/120S/180S-H | 2 | 2 |
| 25 | 70067-101 | FABRICATION, BRACKET, BLOWER, AIR HANDLER | 2 | 2 |
| 24 | 70067-001 | FABRICATION, BRACKET, BLOWER, AIR HANDLER | 2 | 2 |
| 23 | 70065-001 | FABRICATION, BRACKET, CONDENSOR, AIR CONDITIONER, FMAC60S-V | 2 | 2 |
| 22 | 70058-001 | FABRICATION, PANEL, ACCESS, AIR CONDITIONER, FMAC60S-V | 2 | 2 |
| 21 | 70053-012 | FABRICATION, PANEL, CORNER, AIR CONDITIONER, FMAC48S-V | 2 | - |
| 20 | 70053-011 | FABRICATION, PANEL, CORNER, AIR CONDITIONER, FMAC48S-V | 2 | - |
| 19 | 70053-002 | FABRICATION, PANEL, CORNER, AIR CONDITIONER, FMAC60S-V | - | 2 |
| 18 | 70053-001 | FABRICATION, PANEL, CORNER, AIR CONDITIONER, FMAC60S-V | - | 2 |
| 17 | 70051-001 | FABRICATION, LID, AIR CONDITIONER, FMAC60S-V | 1 | 1 |
| 16 | 60533-001 | RIVET, 3/16" DIA. .062-.125" GRIP RANGE, SSB6-2S | 56 | 56 |
| 15 | 60261-001 | COMPRESSOR, SCROLL, 1PH, 60 Hz, 208-230V | 1 | 1 |
| 14 | 60215-001 | EVAPORATOR, 24000 MBTU, 16HX17W, 3 ROW | 2 | 2 |
| 13 | 60131-001 | GROMMET, 1 1/16" PUSH-IN LOCKING, NYLON | 2 | 3 |
| 12 | 60071-001 | STANDOFF, .385 ID X 1.406 OD X 1.00 THK, 70 DURO EPDM BLACK | 4 | 4 |
| 11 | 60070-001 | WASHER, .385 ID X 1.406 OD X .25 THK, 60 DURO EPDM BLACK | 4 | 4 |
| 10 | 60062-001 | THERMAL LIMIT SWITCH, 130 DEGREE | - | 1 |
| 9 | 60060-001 | THERMAL LIMIT SWITCH, 110 DEGREE | - | 2 |
| 8 | 60039-001 | HEATER ELEMENT, COIL, 8" L, 8MM, 3000W, 240VAC, DBL END THRD BULKHEAD | - | 2 |
| 7 | 60014-001 | BLOWER, PSC, FORWARD CURVE, DIRECT DRIVE, WHEEL DIA 13", DAYTON 1XJY4 | 1 | 1 |
| 6 | 50007-001 | DETAIL, TUBING, AIR CONDITIONER, FM60S-V | 2 | 2 |
| 5 | 37NWLOS | 3/8 LOCK WASHER SS | 4 | 4 |
| 4 | 37N125WFES | 3/8 X 1-1/4 FENDER WASHER SS | 4 | 4 |
| 3 | 37CNFHS | 3/8 HEX FINISH NUT SS | 4 | 4 |
| 2 | 20016-001 | ASSEMBLY, CONTROL BOX, SELF CONTAINED, A/C, SINGLE PHASE, 48K-120K UNIVERSAL | 1 | 1 |
| 1 | 1131943 | #8-18 X 1/2" HWH #3 PT SELF DRILLING SCREW, 410 SS | 88 | 98 |

20058-011 SHOWN
SEE SHEET 3 OF 4 FOR DIMENSIONS

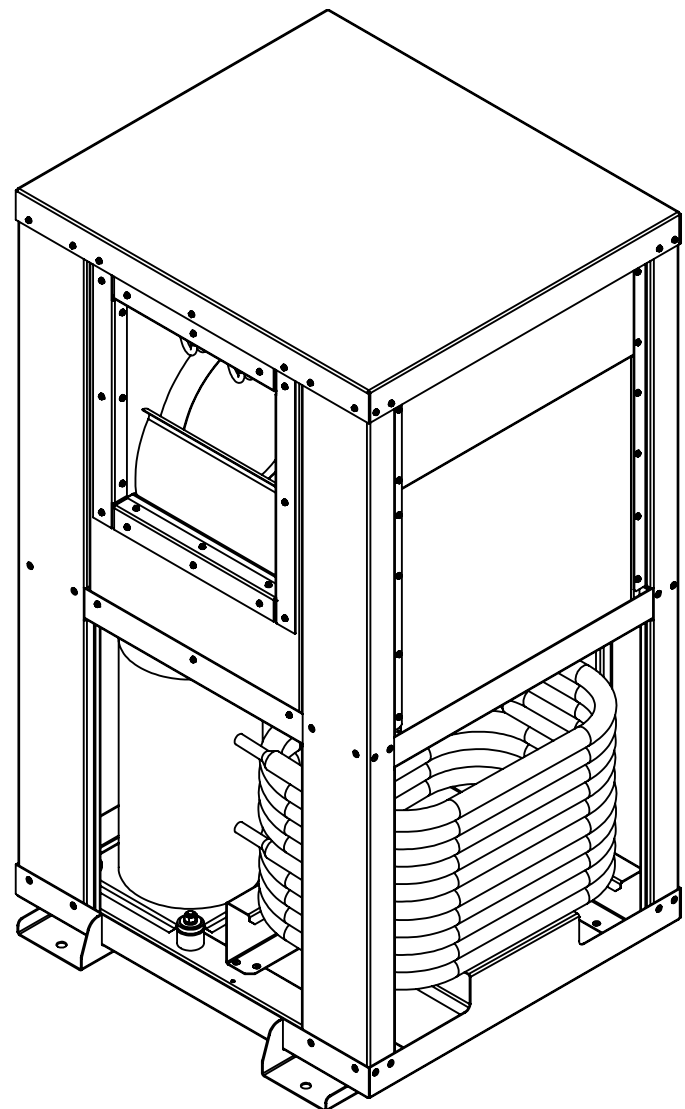
| ITEM NO. | PART NUMBER | DESCRIPTION | 20058-001/QTY. | 20058-011/QTY. |
|----------|-------------|-------------|----------------|----------------|
|----------|-------------|-------------|----------------|----------------|

FLAGSHIP MARINE, INC. BILL OF MATERIALS

| | | | | | | | | |
|---|-------------|----------------------|---|----------------------------|-----------|----------|--|---|
| <p>FLAGSHIP MARINE, INC. 2427 SE DIXIE HIGHWAY STUART FLORIDA 34996 USA (772) 283-1609 (800) 316-6426 FAX (772) 283-4611</p> <p>PROPRIETARY AND CONFIDENTIAL</p> <p>THIS DOCUMENT CONTAINS INFORMATION PROPRIETARY TO FLAGSHIP MARINE, INC. NO PART MAY BE REPRODUCED, USED IN ANY FORM, OR STORED ELECTRONICALLY WITHOUT THE WRITTEN PERMISSION OF FLAGSHIP MARINE, INC.</p> | | | UNLESS OTHERWISE SPECIFIED: DIMENSIONS ARE IN INCHES TOLERANCES: FRACTIONS ± 1/32 ANG: MACH ± 0°30' BEND ± 2° DECIMALS .XX ± .01 .XXX ± .005 HOLE Ø .XX ± .005 | | NAME | DATE | <p>TITLE: ASSEMBLY, AIR CONDITIONER FMAC48S-V, TOP</p> <p>PART NO. 20058-0X1</p> <p>SIZE DWG. NO. B FM20058 REV 01</p> <p>OLD PART NO. -</p> <p>SCALE: 1:10 WGT: 463.88 LBS SHEET 1 OF 4</p> | |
| | | | INTERPRET GEOMETRIC TOLERANCING PER: ASME Y14.5M | | DRAWN | 8/2/2010 | | |
| | | | MATERIAL | | CHECKED | TCM | | - |
| | | | FINISH | | ENG APPR. | TCM | | - |
| | NEXT ASSY | USED ON | | MFG APPR. | TCM | - | | |
| | APPLICATION | DO NOT SCALE DRAWING | | Q.A. | EAS | - | | |
| | | | | PERP STRAIGHTNESS | ± .003/IN | | | |
| | | | | FLATNESS | ± .005/IN | | | |
| | | | | THREADS: | | | | |
| | | | | EXTERNAL - CLASS 2A | | | | |
| | | | | INTERNAL - CLASS 2B | | | | |
| | | | | MACHINED SURFACES: √ U.O.S | | | | |

4. NO DEVIATION FROM THIS DESIGN WILL BE ACCEPTED WITHOUT THE PRIOR WRITTEN CONSENT OF FLAGSHIP MARINE, INC. (NINGUNA DESVIACION SE PERMITERA SIN AUTORIZACION ESCRITA PREVIA DE FLAGSHIP MARINE, INC.)
3. NO SHARP EDGES PERMITTED.
2. PREFERRED LIMITS AND FITS PER ANSI B4.1 (INCHES).
1. DIMENSIONING & TOLERANCING PER ASME Y14.5M.
- NOTES:

| PART NUMBER | DESCRIPTION |
|-------------|--|
| 20058-002 | ASSEMBLY, AIR CONDITIONER FMAC48S-V, SIDE, 230V |
| 20058-012 | ASSEMBLY, AIR CONDITIONER FMAC48S-V, TOP, 230V, WITH OPTIONAL HEAT |



| | | | | |
|----|------------|--|----|----|
| 33 | 70053-012 | FABRICATION, PANEL, CORNER, AIR CONDITIONER, FMAC48S-V | - | 2 |
| 32 | 70053-011 | FABRICATION, PANEL, CORNER, AIR CONDITIONER, FMAC48S-V | - | 2 |
| 31 | 70164-001 | FABRICATION, PANEL, CLOSE OUT, AIR CONDITIONER, FMAC48S-V/FMAC96S-V | 2 | 2 |
| 30 | 60261-001 | COMPRESSOR, SCROLL, 1PH, 60 Hz, 208-230V | 1 | 1 |
| 29 | 60215-001 | EVAPORATOR, 24000 MBTU, 16HX17W, 3 ROW | 2 | 2 |
| 28 | 8C375MXPS | #8-32 x 3/8" PHMS 18-8 SS | - | 4 |
| 27 | 80051-001 | WELDMENT, DRAIN PAN, AIR CONDITIONER, FMAC60S-V | 1 | 1 |
| 26 | 80050-001 | WELDMENT, BASE, AIR CONDITIONER, FMAC60S-V | 1 | 1 |
| 25 | 70169-001 | FABRICATION, LID, ENCLOSURE, HEATER COIL, AIR CONDITIONER, FM48S - FM180S | - | 1 |
| 24 | 70168-001 | FABRICATION, ENCLOSURE, HEATER COIL, AIR CONDITIONER, FM48S - FM180S | - | 1 |
| 23 | 70081-002 | FABRICATION, BRACKET, BLOWER, AIR CONDITIONER, FM48S/60S/72S/96S/120S/180S-H | 2 | 2 |
| 22 | 70067-101 | FABRICATION, BRACKET, BLOWER, AIR HANDLER | 2 | 2 |
| 21 | 70067-001 | FABRICATION, BRACKET, BLOWER, AIR HANDLER | 2 | 2 |
| 20 | 70065-001 | FABRICATION, BRACKET, CONDENSOR, AIR CONDITIONER, FMAC60S-V | 2 | 2 |
| 19 | 70058-002 | FABRICATION, PANEL, ACCESS, AIR CONDITIONER, FMAC60S-V | 1 | 1 |
| 18 | 70058-001 | FABRICATION, PANEL, ACCESS, AIR CONDITIONER, FMAC60S-V | 1 | 1 |
| 17 | 70053-002 | FABRICATION, PANEL, CORNER, AIR CONDITIONER, FMAC60S-V | 2 | - |
| 16 | 70053-001 | FABRICATION, PANEL, CORNER, AIR CONDITIONER, FMAC60S-V | 2 | - |
| 15 | 70051-002 | FABRICATION, LID, AIR CONDITIONER, FMAC60S-V | 1 | 1 |
| 14 | 60533-001 | RIVET, 3/16" DIA. .062-.125" GRIP RANGE, SSB6-2S | 56 | 56 |
| 13 | 60131-001 | GROMMET, 11/16" PUSH-IN LOCKING, NYLON | 2 | 3 |
| 12 | 60071-001 | STANDOFF, .385 ID X 1.406 OD X 1.00 THK, 70 DURO EPDM BLACK | 4 | 4 |
| 11 | 60070-001 | WASHER, .385 ID X 1.406 OD X .25 THK, 60 DURO EPDM BLACK | 4 | 4 |
| 10 | 60062-001 | THERMAL LIMIT SWITCH, 130 DEGREE | - | 1 |
| 9 | 60060-001 | THERMAL LIMIT SWITCH, 110 DEGREE | - | 2 |
| 8 | 60039-001 | HEATER ELEMENT, COIL, 8" L, 8MM, 3000W, 240VAC, DBL END THRD BULKHEAD | - | 2 |
| 7 | 60014-001 | BLOWER, PSC, FORWARD CURVE, DIRECT DRIVE, WHEEL DIA 13", DAYTON 1XJY4 | 1 | 1 |
| 6 | 50007-001 | DETAIL, TUBING, AIR CONDITIONER, FM60S-V | 2 | 2 |
| 5 | 37NWLOS | 3/8 LOCK WASHER SS | 4 | 4 |
| 4 | 37N125WFES | 3/8 X 1-1/4 FENDER WASHER SS | 4 | 4 |
| 3 | 37CNFHS | 3/8 HEX FINISH NUT SS | 4 | 4 |
| 2 | 20016-001 | ASSEMBLY, CONTROL BOX, SELF CONTAINED, A/C, SINGLE PHASE, 48K-120K UNIVERSAL | 1 | 1 |
| 1 | 1131943 | #8-18 X 1/2" HWH #3 PT SELF DRILLING SCREW, 410 SS | 88 | 98 |

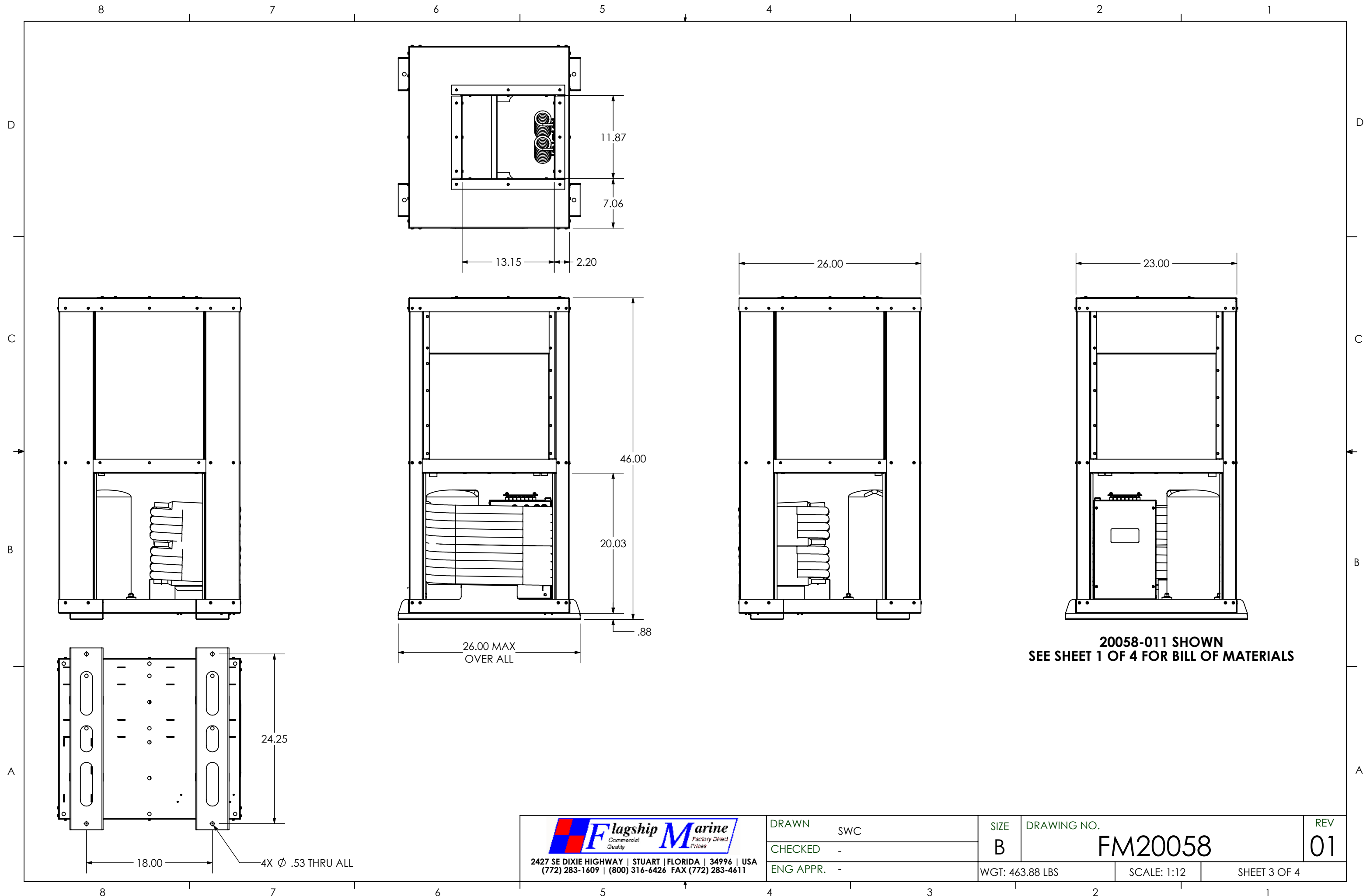
**20058-012 SHOWN
SEE SHEET 4 OF 4 FOR DIMENSIONS**

| ITEM NO. | PART NUMBER | DESCRIPTION | 20058-002/QTY. | 20058-012/QTY. |
|----------|-------------|-------------|----------------|----------------|
|----------|-------------|-------------|----------------|----------------|


FLAGSHIP MARINE, INC. BILL OF MATERIALS

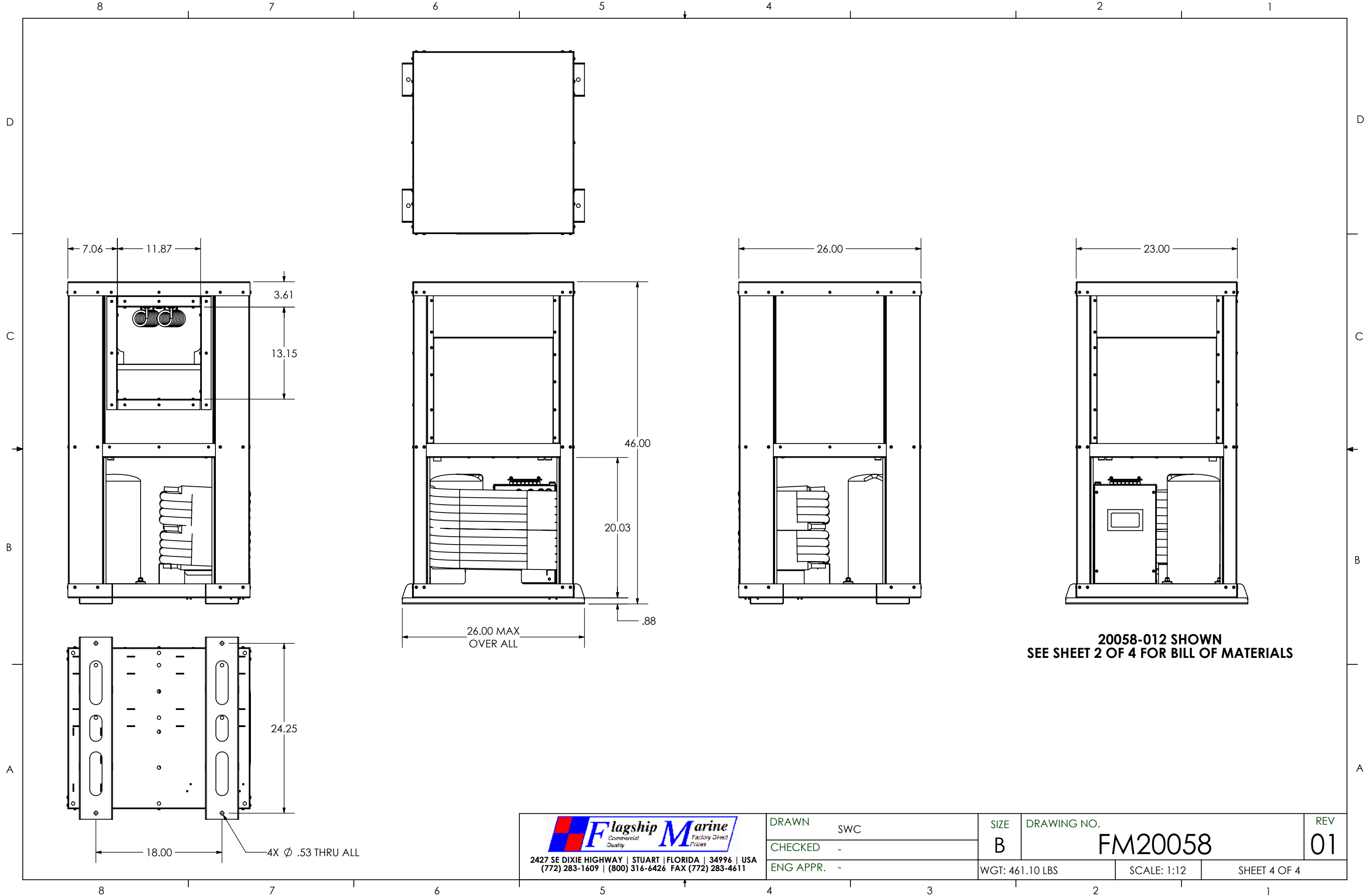
| | | | | | |
|---|--|-----------|------|---|----------|
| <p>FLAGSHIP MARINE, INC. 2427 SE DIXIE HIGHWAY STUART FLORIDA 34996 USA (772) 283-1609 (800) 316-6426 FAX (772) 283-4611</p> <p>PROPRIETARY AND CONFIDENTIAL</p> <p>THIS DOCUMENT CONTAINS INFORMATION PROPRIETARY TO FLAGSHIP MARINE, INC. NO PART MAY BE REPRODUCED, USED IN ANY FORM, OR STORED ELECTRONICALLY WITHOUT THE WRITTEN PERMISSION OF FLAGSHIP MARINE, INC.</p> | UNLESS OTHERWISE SPECIFIED: | NAME | DATE | TITLE: ASSEMBLY, AIR CONDITIONER FMAC48S-V, SIDE PART NO. 20058-0X2 SIZE B DWG. NO. FM20058 REV 01 OLD PART NO. - SCALE: 1:10 WGT: 461.10 LBS SHEET 2 OF 4 | |
| | DIMENSIONS ARE IN INCHES | DRAWN | SWC | | 8/2/2010 |
| | TOLERANCES: FRACTIONS ± 1/32 ANG: MACH ± 0°30' BEND ± 2° DECIMALS .XX ± .01 .XXX ± .005 HOLE Ø .XX ± .005 | CHECKED | TCM | | - |
| | INTERPRET GEOMETRIC TOLERANCING PER: ASME Y14.5M | ENG APPR. | TCM | | - |
| MATERIAL | MFG APPR. | TCM | - | Q.A. EAS - PERP STRAIGHTNESS ± .003/IN FLATNESS ± .005/IN THREADS: EXTERNAL - CLASS 2A INTERNAL - CLASS 2B MACHINED SURFACES: √ U.O.S | |
| FINISH | Q.A. | EAS | - | | |
| NEXT ASSY | USED ON | | | | |
| APPLICATION | DO NOT SCALE DRAWING | | | | |

4. NO DEVIATION FROM THIS DESIGN WILL BE ACCEPTED WITHOUT THE PRIOR WRITTEN CONSENT OF FLAGSHIP MARINE, INC. (NINGUNA DESVIACION SE PERMITERA SIN AUTORIZACION ESCRITA PREVIA DE FLAGSHIP MARINE, INC.)
3. NO SHARP EDGES PERMITTED.
2. PREFERRED LIMITS AND FITS PER ANSI B4.1 (INCHES).
1. DIMENSIONING & TOLERANCING PER ASME Y14.5M.
- NOTES:



**20058-011 SHOWN
SEE SHEET 1 OF 4 FOR BILL OF MATERIALS**

| | | | | | |
|---|-----------|-----------------|---------------------|--------------|--------|
|  <p>Flagship Marine Commercial Quality Factory Direct Prices</p> <p>2427 SE DIXIE HIGHWAY STUART FLORIDA 34996 USA (772) 283-1609 (800) 316-6426 FAX (772) 283-4611</p> | DRAWN SWC | SIZE B | DRAWING NO. FM20058 | | REV 01 |
| | CHECKED - | WGT: 463.88 LBS | SCALE: 1:12 | SHEET 3 OF 4 | |
| ENG APPR. - | | | | | |



Flagship Marine
 Commercial Quality Factory Direct Prices
 2427 SE DIXIE HIGHWAY | STUART | FLORIDA | 34996 | USA
 (772) 283-1609 | (800) 316-6426 FAX (772) 283-4611

| | | | | |
|-----------|-----|-----------------|-------------|--------------|
| DRAWN | SWC | SIZE | DRAWING NO. | REV |
| CHECKED | - | B | FM20058 | 01 |
| ENG APPR. | - | WGT: 461.10 LBS | SCALE: 1:12 | SHEET 4 OF 4 |