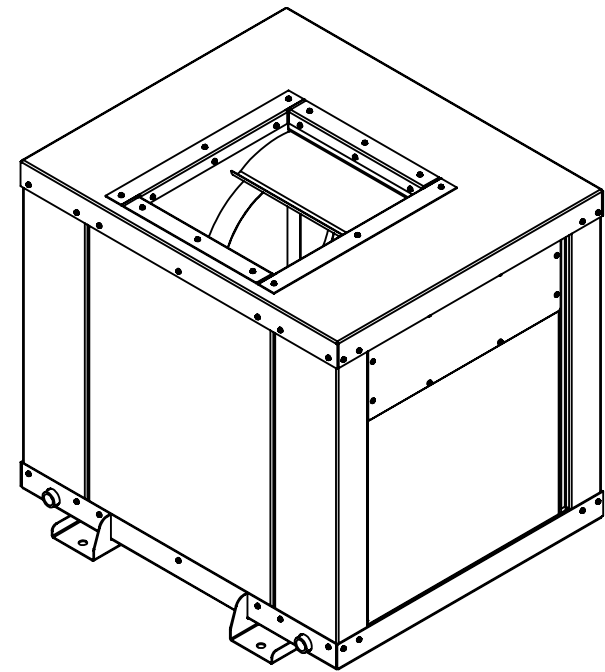
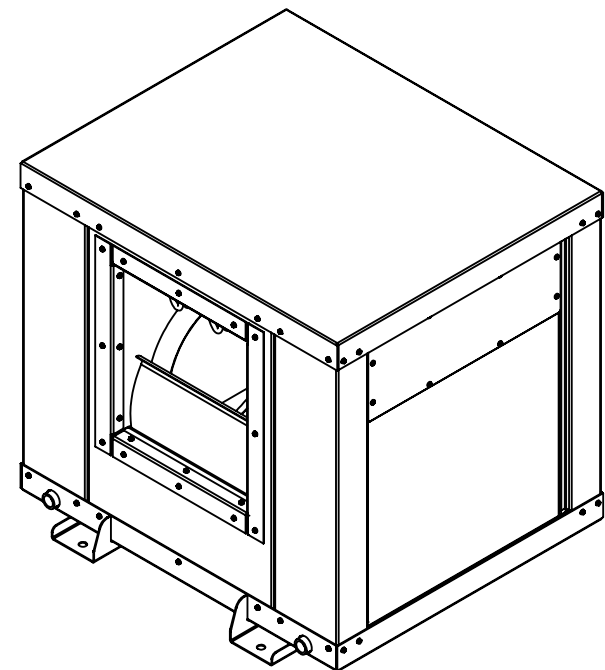


PART NUMBER	DESCRIPTION	FLAGSHIP MARINE, INC.				
		REV.	ZONE	DESCRIPTION	DATE	ENG APPROVAL
20085-001	ASSEMBLY, CHILLED WATER, FAN COIL, FM48CWFC, 26.5L X 28W X 26H, 230V TOP	01	-	INITIAL CHECK-IN	4/20/2011	-
20085-002	ASSEMBLY, CHILLED WATER, FAN COIL, FM48CWFC, 26.5L X 28W X 26H, 230V SIDE					
20085-011	ASSEMBLY, CHILLED WATER, FAN COIL, FM48CWFC, 26.5L X 28W X 26H, 230V TOP, WITH OPTIONAL HEAT					
20085-012	ASSEMBLY, CHILLED WATER, FAN COIL, FM48CWFC, 26.5L X 28W X 26H, 230V SIDE, WITH OPTIONAL HEAT					



**20085-011 SHOWN  
SEE SHEET 2 OF 2 FOR DIMENSIONS**



**20085-012 SHOWN  
SEE SHEET 2 OF 2 FOR DIMENSIONS**

ITEM NO.	PART NUMBER	DESCRIPTION	20085-001/QTY.	20085-002/QTY.	20085-011/QTY.	20085-012/QTY.
31	Regular LW 0.164		8	8	8	8
30	FM70268	-	1	1	1	1
29	80056-001	WELDMENT, BASE, CHILLED WATER, FAN COIL, FM48/60/72CWFC	1	1	1	1
28	80055-001	WELDMENT, PANEL, ACCESS, AIR CONDITIONER, FMAC60S-H	-	1	1	1
27	80054-001	WELDMENT, LID, AIR CONDITIONER, FM48S/60S/72S-H	1	-	-	-
26	80053-001	WELDMENT, DRAIN PAN, EVAPORATOR, FM48S/60S/72S-H	2	2	2	2
25	70158-002	FABRICATION, PANEL, CLOSE OUT, AIR CONDITIONER, FM48CWFC, ELECTRICAL BOX OPTION	1	1	1	1
24	70158-001	FABRICATION, PANEL, CLOSE OUT, AIR CONDITIONER, FM48S	1	1	1	1
23	70156-024	FABRICATION, PANEL, CORNER, AIR CONDITIONER, FM48CWFC & FM96CWFC	1	1	1	1
22	70156-014	FABRICATION, PANEL, CORNER, AIR CONDITIONER, FM48CWFC & FM96CWFC	1	1	1	1
21	70156-002	FABRICATION, PANEL, CORNER, AIR CONDITIONER, FM48S-H & FM96S-H	1	1	1	1
20	70156-001	FABRICATION, PANEL, CORNER, AIR CONDITIONER, FM48S-H & FM96S-H	1	1	1	1
19	70081-002	FABRICATION, BRACKET, BLOWER, AIR CONDITIONER, FM48S/60S/72S/96S/120S/180S-H	-	2	-	2
19	70081-001	FABRICATION, BRACKET, BLOWER, AIR CONDITIONER, FM48S/60S/72S/96S/120S/180S-H	2	-	2	-
18	70078-001	FABRICATION, PANEL, ACCESS, AIR CONDITIONER, FMAC60S-H	2	1	2	1
17	70067-101	FABRICATION, BRACKET, BLOWER 1XJY2, AIR HANDLER	2	2	2	2
16	70067-001	FABRICATION, BRACKET, BLOWER 1XJY2, AIR HANDLER	2	2	2	2
15	60215-001	EVAPORATOR, 24000 MBTU, 16HX17W, 3 ROW	2	2	2	2
14	60014-001	BLOWER, PSC, FORWARD CURVE, DIRECT DRIVE, WHEEL DIA 13"	1	1	1	1
13	1131943	#8-18 X 1/2" HWH #3 PT SELF DRILLING SCREW, 410 SS	80	80	90	90
12	72396	#8-32 x 3/8" PHMS 18-8 SS	8	8	12	12
11	70706	#8-32 HEX NUT, MACHINE SCREW 18-8 SS	8	8	8	8
10	70269-001	FABRICATION, CONTROL BOX, CHILLED WATER, FAN COIL, UNIVERSAL	1	1	1	1
9	70169-001	FABRICATION, LID, ENCLOSURE, HEATER COIL, AIR CONDITIONER, FM48S - FM180S	-	-	1	1
8	70168-001	FABRICATION, ENCLOSURE, HEATER COIL, AIR CONDITIONER, FM48S - FM180S	-	-	1	1
7	70071-001	FABRICATION, LID, AIR CONDITIONER, FM48S/60S/72S-H	-	1	-	1
6	60131-001	GROMMET, 1 1/16" PUSH-IN LOCKING, NYLON	2	2	3	3
5	60130-001	GROMMET, 3/4" PUSH-IN LOCKING, NYLON	2	2	2	2
4	60062-001	THERMAL LIMIT SWITCH, 130 DEGREE	-	-	1	1
3	60060-001	THERMAL LIMIT SWITCH, 110 DEGREE	-	-	2	2
2	60039-001	HEATER ELEMENT, COIL, 2" L, 8MM, 3000W, 240VAC, DBL END THRD BULKHEAD	-	-	2	2
1	41424	RIVET 3/16" DIA .062-.125" GRIP RANGE, SSB62S STAINLESS	10	10	10	10

PRELIMINARY - UNRELEASED  
CHANGES WILL NOT BE RECORDED  
Wednesday, April 20, 2011

**FLAGSHIP MARINE, INC. BILL OF MATERIALS**

**FLAGSHIP MARINE, INC.**  
2427 SE DIXIE HIGHWAY  
STUART | FLORIDA | 34996 | USA  
(772) 283-1609 | (800) 319-6426  
FAX (772) 283-4611

**PROPRIETARY AND CONFIDENTIAL**  
THIS DOCUMENT CONTAINS INFORMATION PROPRIETARY TO FLAGSHIP MARINE, INC. NO PART MAY BE REPRODUCED, USED IN ANY FORM, OR STORED ELECTRONICALLY WITHOUT THE WRITTEN PERMISSION OF FLAGSHIP MARINE, INC.

UNLESS OTHERWISE SPECIFIED:		NAME	DATE
DIMENSIONS ARE IN INCHES		DRAWN	SWC 5/7/2009
TOLERANCES:		CHECKED	TCM -
FRACTIONS ± 1/32		ENG APPR.	TCM -
ANG: MACH ± 0°30' BEND ± 2°		MFG APPR.	TCM -
DECIMALS .XX ± .01		Q.A.	EAS -
.XXX ± .005		PERP STRAIGHTNESS	∓ .003/IN
HOLE Ø .XX ± .005		FLATNESS	∓ .005/IN
INTERPRET GEOMETRIC TOLERANCING PER: ASME Y14.5M		THREADS:	EXTERNAL - CLASS 2A
MATERIAL		INTERNAL - CLASS 2B	63/ U.O.S
FINISH		MACHINED SURFACES: ✓	
NEXT ASSY	USED ON		
APPLICATION		DO NOT SCALE DRAWING	

TITLE: ASSEMBLY, CHILLED WATER, FAN COIL, FM48CWFC, 26.5L X 28W X 26H

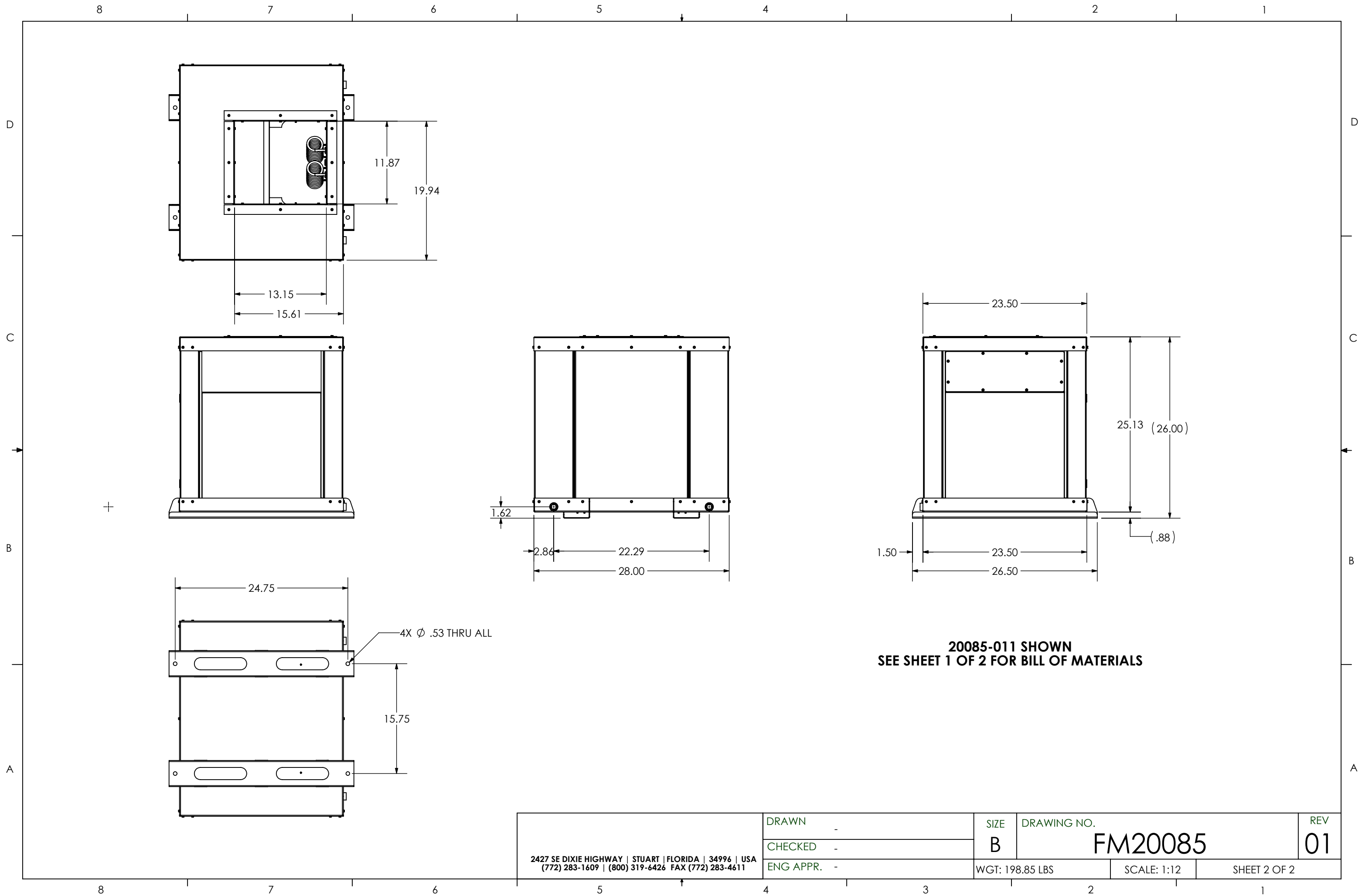
PART NO. **20085-0XX**

SIZE **B** DWG. NO. **FM20085** REV **01**

OLD PART NO. -

SCALE: 1:12 | WGT: 198.85 LBS | SHEET 1 OF 2

- NOTES:
- NO SHARP EDGES PERMITTED.
  - PREFERRED LIMITS AND FITS PER ANSI B4.1 (INCHES).
  - DIMENSIONING & TOLERANCING PER ASME Y14.5M.



2427 SE DIXIE HIGHWAY   STUART   FLORIDA   34996   USA (772) 283-1609   (800) 319-6426 FAX (772) 283-4611	DRAWN -	SIZE	DRAWING NO.	REV
	CHECKED -	B	FM20085	01
	ENG APPR. -	WGT: 198.85 LBS	SCALE: 1:12	SHEET 2 OF 2