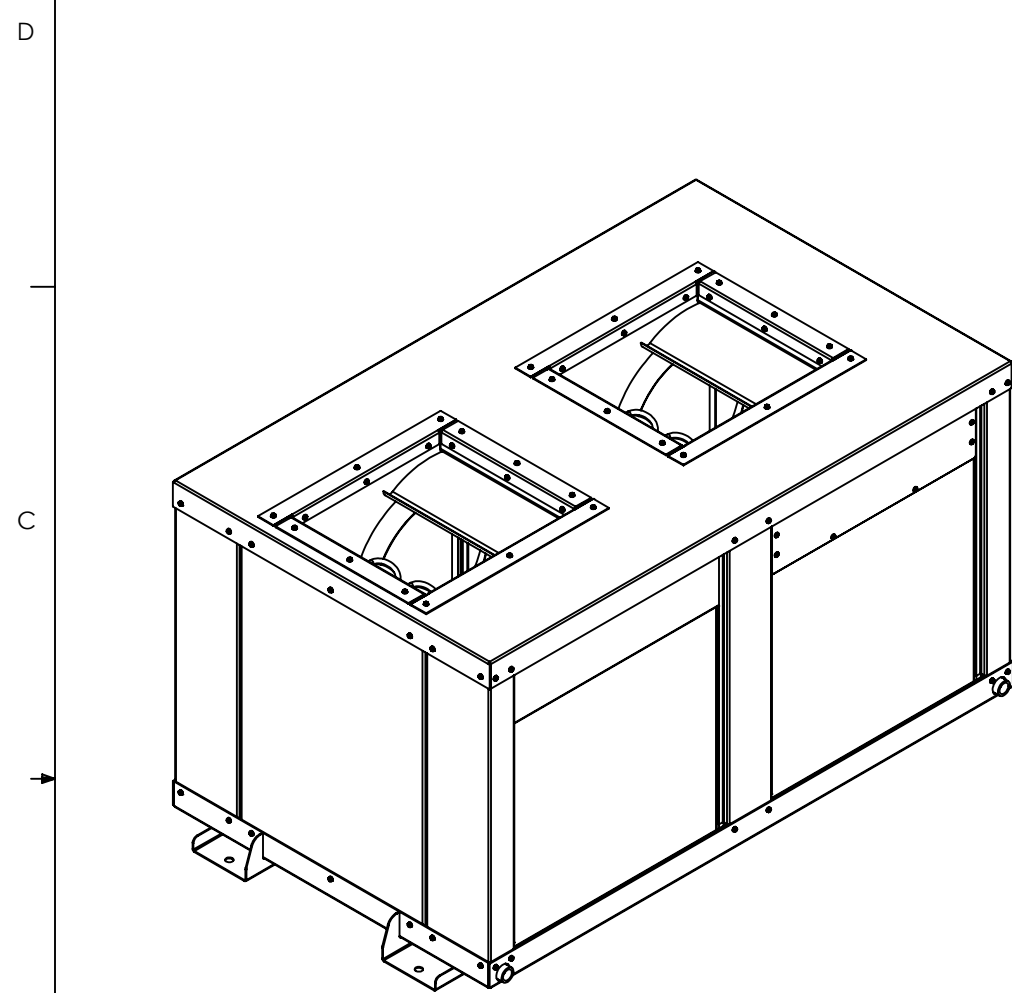


PART NUMBER	DESCRIPTION	FLAGSHIP MARINE, INC.				
		REV.	ZONE	DESCRIPTION	DATE	ENG APPROVAL
20088-001	ASSEMBLY, CHILLED WATER, FAN COIL, FM120CWFC, 49.25L X 28W X 26H, 230V TOP	01	-	INITIAL CHECK-IN	4/21/2011	-



**20088-011 SHOWN
SEE SHEET 2 OF 2 FOR DIMENSIONS**

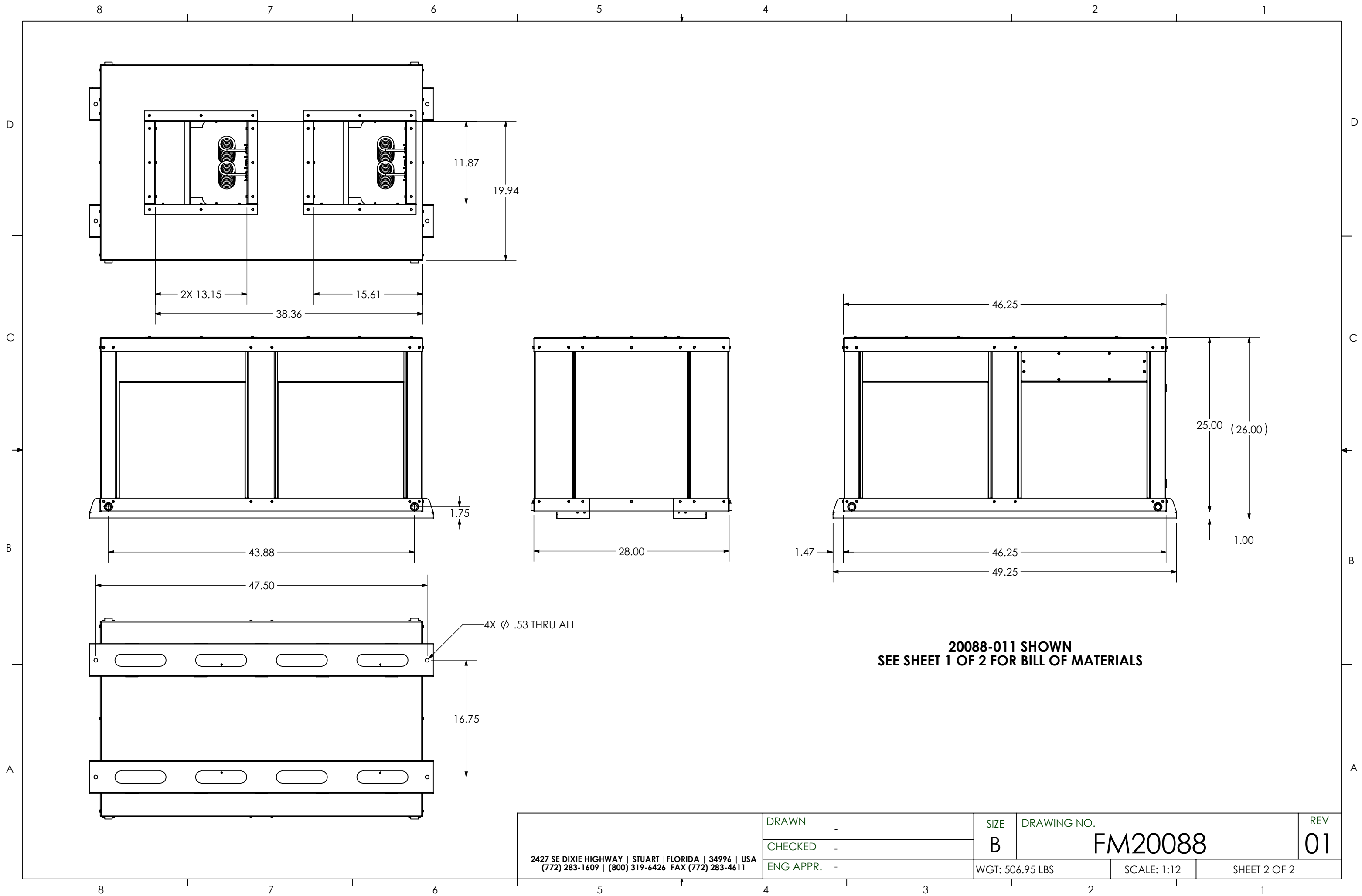
ITEM NO.	PART NUMBER	DESCRIPTION	20088-001/QTY.	20088-011/QTY.
31	Regular LW 0.164		8	8
30	80056-002	WELDMENT, BASE, CHILLED WATER, FAN COIL, FM96/120CWFC	1	1
29	80054-002	WELDMENT, LID, AIR CONDITIONER, FM96S/120S-H	1	1
28	80053-002	WELDMENT, DRAIN PAN, EVAPORATOR, FM96S/120S-H	2	2
27	72396	#8-32 x 3/8" PHMS 18-8 SS	8	16
26	70706	#8-32 HEX NUT, MACHINE SCREW 18-8 SS	8	8
25	70269-002	FABRICATION, CONTROL BOX, CHILLED WATER, FAN COIL, UNIVERSAL		1
24	70268-002	FABRICATION, COVER, CONTROL BOX, CHILLED WATER, FAN COIL, UNIVERSAL	1	1
23	70169-001	FABRICATION, LID, ENCLOSURE, HEATER COIL, AIR CONDITIONER, FM48S - FM180S	-	2
22	70168-001	FABRICATION, ENCLOSURE, HEATER COIL, AIR CONDITIONER, FM48S - FM180S	-	2
21	70081-001	FABRICATION, BRACKET, BLOWER, AIR CONDITIONER, FM48S/60S/72S/96S/120S/180S-H	4	4
20	70079-002	FABRICATION, PANEL, CLOSE OUT, AIR CONDITIONER, CWFC, ELECTRICAL BOX OPTION	1	1
19	70079-001	FABRICATION, PANEL, CLOSE OUT, AIR CONDITIONER, FM48S/60S/72S/96S/120S/180S-H	1	1
18	70079-001	FABRICATION, PANEL, CLOSE OUT, AIR CONDITIONER, FM48S/60S/72S/96S/120S/180S-H	2	2
17	70078-001	FABRICATION, PANEL, ACCESS, AIR CONDITIONER, FMAC60S-H	2	2
16	70077-002	FABRICATION, PANEL, BIFECTOR, AIR CONDITIONER, FM60S/72S/120S/180S-H	2	2
15	70073-014	FABRICATION, PANEL, CORNER, AIR CONDITIONER, FM60S/72S/120S/180S-H	1	1
14	70073-013	FABRICATION, PANEL, CORNER, AIR CONDITIONER, FM60S/72S/120S/180S-H	1	1
13	70073-002	FABRICATION, PANEL, CORNER, AIR CONDITIONER, FM60S/72S/120S/180S-H	1	1
12	70073-001	FABRICATION, PANEL, CORNER, AIR CONDITIONER, FM60S/72S/120S/180S-H	1	1
11	70067-101	FABRICATION, BRACKET, BLOWER 1XJY2, AIR HANDLER	4	4
10	70067-001	FABRICATION, BRACKET, BLOWER 1XJY2, AIR HANDLER	4	4
9	60216-001	EVAPORATOR, 36000 MBTU, 17.50HX18.13W, 3 ROW	4	4
8	60131-001	GROMMET, 11/16" PUSH-IN LOCKING, NYLON	-	2
7	60130-001	GROMMET, 3/4" PUSH-IN LOCKING, NYLON	2	2
6	60062-001	THERMAL LIMIT SWITCH, 130 DEGREE	-	2
5	60060-001	THERMAL LIMIT SWITCH, 110 DEGREE	-	4
4	60035-001	HEATER ELEMENT, COIL, 74"L, 8MM, 4000W, 230VAC, DBL END THRD BULKHEAD	-	4
3	60014-001	BLOWER, PSC, FORWARD CURVE, DIRECT DRIVE, WHEEL DIA 13"	2	2
2	1131943	#8-18 X 1/2" HWH #3 PT SELF DRILLING SCREW, 410 SS	124	144
1	41424	RIVET 3/16" DIA .062-.125" GRIP RANGE, SSB62S STAINLESS	20	20

PRELIMINARY - UNRELEASED
CHANGES WILL NOT BE RECORDED
Thursday, April 21, 2011

FLAGSHIP MARINE, INC. BILL OF MATERIALS

- NOTES:
- NO SHARP EDGES PERMITTED.
 - PREFERRED LIMITS AND FITS PER ANSI B4.1 (INCHES).
 - DIMENSIONING & TOLERANCING PER ASME Y14.5M.

<p>FLAGSHIP MARINE, INC. 2427 SE DIXIE HIGHWAY STUART FLORIDA 34996 USA (772) 283-1609 (800) 319-6426 FAX (772) 283-4611</p> <p>PROPRIETARY AND CONFIDENTIAL</p> <p>THIS DOCUMENT CONTAINS INFORMATION PROPRIETARY TO FLAGSHIP MARINE, INC. NO PART MAY BE REPRODUCED, USED IN ANY FORM, OR STORED ELECTRONICALLY WITHOUT THE WRITTEN PERMISSION OF FLAGSHIP MARINE, INC.</p>			UNLESS OTHERWISE SPECIFIED: DIMENSIONS ARE IN INCHES TOLERANCES: FRACTIONS ± 1/32 ANG: MACH ± 0°30' BEND ± 2° DECIMALS .XX ± .01 .XXX ± .005 HOLE Ø .XX ± .005		NAME	DATE	TITLE: ASSEMBLY, CHILLED WATER, FAN COIL, FM120CWFC, 49.25L X 28W X 26H PART NO. 20088-0XX	
			INTERPRET GEOMETRIC TOLERANCING PER: ASME Y14.5M		DRAWN	SWC		5/7/2009
			MATERIAL		CHECKED	TCM		-
			FINISH		ENG APPR.	TCM		-
	NEXT ASSY	USED ON		MFG APPR.	TCM	-	SIZE DWG. NO. B FM20088 REV 01 OLD PART NO. - SCALE: 1:12 WGT: 506.95 LBS SHEET 1 OF 2	
	APPLICATION	DO NOT SCALE DRAWING		Q.A.	EAS	-		
					PERP STRAIGHTNESS ± .003/IN FLATNESS ± .005/IN THREADS: EXTERNAL - CLASS 2A INTERNAL - CLASS 2B MACHINED SURFACES: ✓ U.O.S			



2427 SE DIXIE HIGHWAY STUART FLORIDA 34996 USA (772) 283-1609 (800) 319-6426 FAX (772) 283-4611	DRAWN -	SIZE	DRAWING NO.	REV
	CHECKED -	B	FM20088	01
	ENG APPR. -	WGT: 506.95 LBS	SCALE: 1:12	SHEET 2 OF 2