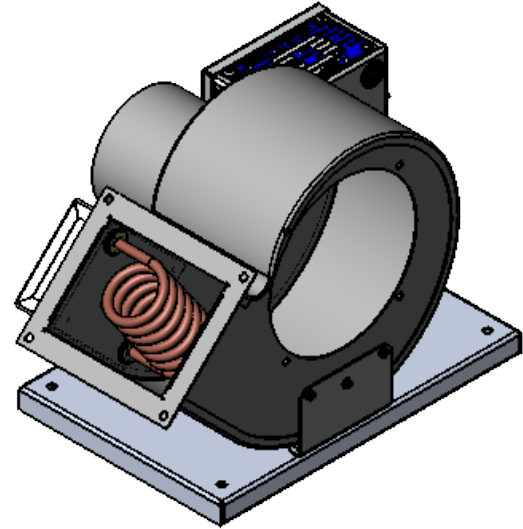
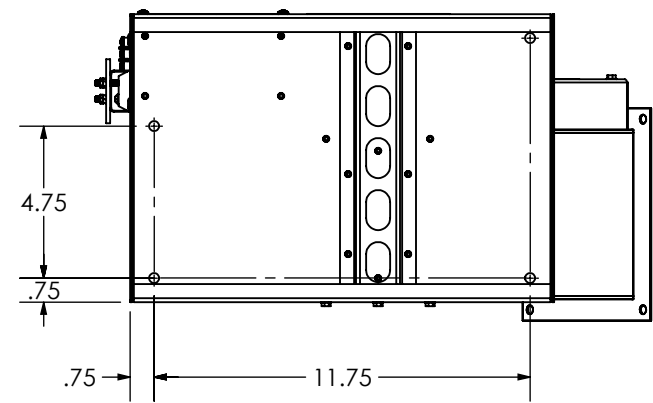
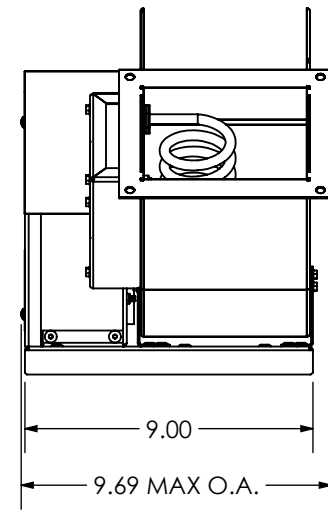
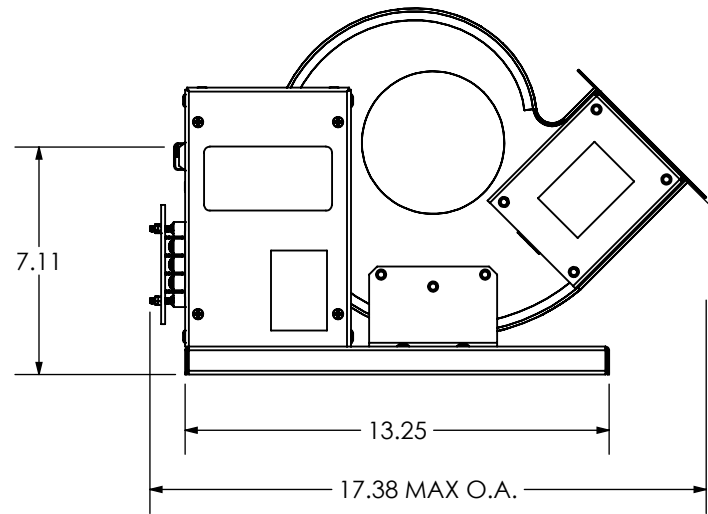


PART NUMBER	DESCRIPTION
20090-001	ASSEMBLY, ELECTRIC HEATING SYSTEM, 6,842BTU - 2KW, FMCH2E, 120V SIDE
20090-101	ASSEMBLY, ELECTRIC HEATING SYSTEM, 6,842BTU - 2KW, FMCH2E, 230V SIDE

FLAGSHIP MARINE, INC.				
REV.	ZONE	DESCRIPTION	DATE	ENG APPROVAL
A	-	CHANGED CONTROL BOX	11/13/2017	-
B	-	ADDED THERMOSTAT	9/26/2018	-
C	-	REMOVED BLOWER INSULATION. ADDED A/R PARTS	3/16/2019	-



20090-001 SHOWN



ITEM NO.	QTY	PART NUMBER	DESCRIPTION
17	2	70352-001	FABRICATION, BRACKET, BLOWER, ELECTRIC HEATING SYSTEM, FMCH2E
16	1	70351-001	FABRICATION, SUPPORT, BASE, ELECTRIC HEATING SYSTEM, FMCH2E
15	1	70350-001	FABRICATION, BASE, ELECTRIC HEATING SYSTEM, FMCH2E
14	1	70086-001	FABRICATION, LID, ENCLOSURE, HEATER COIL, AIR CONDITIONER, FM9R - FM20R
13	1	70085-001	FABRICATION, ENCLOSURE, HEATER COIL, AIR CONDITIONER, FM9R - FM20R
12	16	60533-001	RIVET, 3/16" DIA. .062-.125" GRIP RANGE, SSB6-2S
11	12	60527-001	SELF TAP, #8 X 1/2 HWH SELF DRILL 18-8 SS
10	1	60504-001	LABEL, CAUTION, HIGH VOLTAGE, 2.5" X 1.5"
9	1	60131-001	GROMMET, 11/16" PUSH-IN LOCKING, NYLON
8	1	60062-001	SWITCH, THERMAL LIMIT, 130 DEG. F, NC
7	-	60032-002	HEATER ELEMENT, COIL, 45"L, 8MM, 2000W, 240VAC, DBL END THRD BULKHEAD
6	1	60032-001	HEATER ELEMENT, COIL, 45"L, 8MM, 2000W, 120VAC, DBL END THRD BULKHEAD
5	-	60010-001	BLOWER, PSC, SHADED POLE, 1TDT3, 230V
4	1	60006-001	BLOWER, PSC, SHADED POLE, 1TDT2, 115V
3	A/R	30230-001	LOOM, SPLIT-TYPE, BLUE TRACER, 1/2", 1100', M125-0120-A
2	1	20515-001	ASSEMBLY, THERMOSTAT, SELF-CONTAINED, A/C, 9K-36K UNIVERSAL
1	1	20017-002	ASSEMBLY, CONTROL BOX, CHILLED WATER, FAN COIL, WITH OPTIONAL HEAT, 9K-36K UNIVERSAL

FLAGSHIP MARINE, INC. BILL OF MATERIALS			
ITEM NO.	QTY	PART NUMBER	DESCRIPTION
17	2	70352-001	FABRICATION, BRACKET, BLOWER, ELECTRIC HEATING SYSTEM, FMCH2E
16	1	70351-001	FABRICATION, SUPPORT, BASE, ELECTRIC HEATING SYSTEM, FMCH2E
15	1	70350-001	FABRICATION, BASE, ELECTRIC HEATING SYSTEM, FMCH2E
14	1	70086-001	FABRICATION, LID, ENCLOSURE, HEATER COIL, AIR CONDITIONER, FM9R - FM20R
13	1	70085-001	FABRICATION, ENCLOSURE, HEATER COIL, AIR CONDITIONER, FM9R - FM20R
12	16	60533-001	RIVET, 3/16" DIA. .062-.125" GRIP RANGE, SSB6-2S
11	12	60527-001	SELF TAP, #8 X 1/2 HWH SELF DRILL 18-8 SS
10	1	60504-001	LABEL, CAUTION, HIGH VOLTAGE, 2.5" X 1.5"
9	1	60131-001	GROMMET, 11/16" PUSH-IN LOCKING, NYLON
8	1	60062-001	SWITCH, THERMAL LIMIT, 130 DEG. F, NC
7	-	60032-002	HEATER ELEMENT, COIL, 45"L, 8MM, 2000W, 240VAC, DBL END THRD BULKHEAD
6	1	60032-001	HEATER ELEMENT, COIL, 45"L, 8MM, 2000W, 120VAC, DBL END THRD BULKHEAD
5	-	60010-001	BLOWER, PSC, SHADED POLE, 1TDT3, 230V
4	1	60006-001	BLOWER, PSC, SHADED POLE, 1TDT2, 115V
3	A/R	30230-001	LOOM, SPLIT-TYPE, BLUE TRACER, 1/2", 1100', M125-0120-A
2	1	20515-001	ASSEMBLY, THERMOSTAT, SELF-CONTAINED, A/C, 9K-36K UNIVERSAL
1	1	20017-002	ASSEMBLY, CONTROL BOX, CHILLED WATER, FAN COIL, WITH OPTIONAL HEAT, 9K-36K UNIVERSAL

**Flagship Marine**  
**FLAGSHIP MARINE, INC.**  
 2427 SE DIXIE HIGHWAY  
 STUART | FLORIDA | 34996 | USA  
 (772) 283-1609 | (800) 316-6426  
 FAX (772) 283-4611

**PROPRIETARY AND CONFIDENTIAL**  
 THIS DOCUMENT CONTAINS INFORMATION PROPRIETARY TO FLAGSHIP MARINE, INC. NO PART MAY BE REPRODUCED, USED IN ANY FORM, OR STORED ELECTRONICALLY WITHOUT THE WRITTEN PERMISSION OF FLAGSHIP MARINE, INC.

UNLESS OTHERWISE SPECIFIED:	NAME	DATE
DIMENSIONS ARE IN INCHES	DRAWN	1/3/2011
TOLERANCES:	CHECKED	TCM
FRACTIONS ± 1/32	ENG APPR.	TCM
ANG: MACH ± 0°30' BEND ± 2°	MFG APPR.	TCM
DECIMALS .XX ± .01	Q.A.	EAS
.XXX ± .005		
HOLE Ø .XX ± .005		
INTERPRET GEOMETRIC TOLERANCING PER: ASME Y14.5M		
MATERIAL	PERP	± .003/IN
	STRAIGHTNESS	± .005/IN
	FLATNESS	± .005/IN
FINISH	THREADS:	
	EXTERNAL - CLASS 2A	
	INTERNAL - CLASS 2B	
	MACHINED SURFACES: ✓ U.O.S	
NEXT ASSY	USED ON	
APPLICATION	DO NOT SCALE DRAWING	

TITLE: ASSEMBLY, ELECTRIC HEATING SYSTEM, 6,842BTU - 2KW, FMCH2E, 120V SIDE

PART NO. **20090-001**

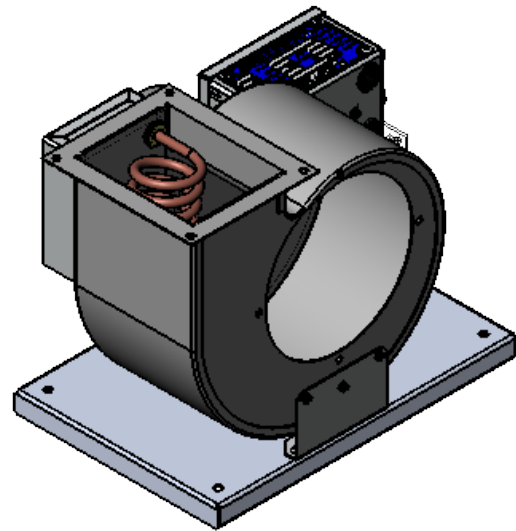
SIZE **B** DWG. NO. **FM20090** REV **C**

OLD PART NO. -

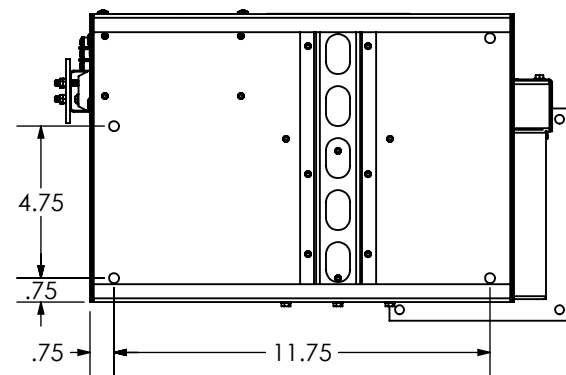
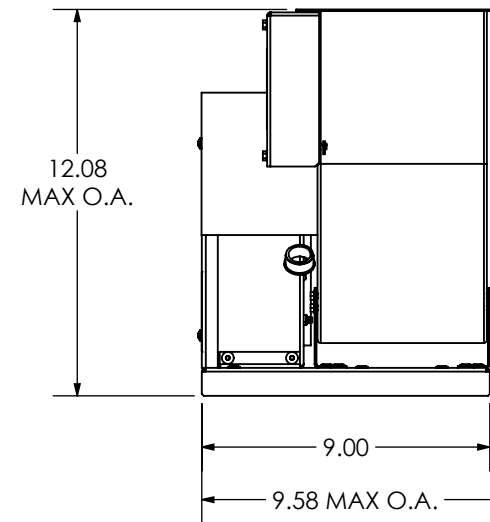
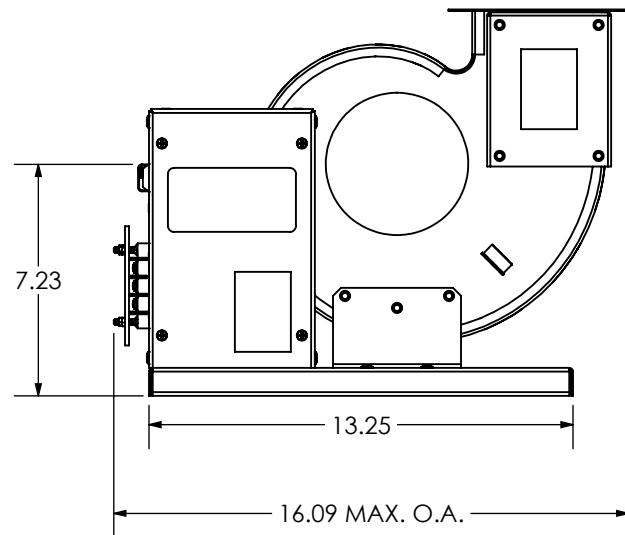
SCALE: 1:6 WGT: 8.75 LBS SHEET 1 OF 2

2. PREFERRED LIMITS AND FITS PER ANSI B4.1 (INCHES).  
 1. DIMENSIONING & TOLERANCING PER ASME Y14.5M.  
 NOTES:

PART NUMBER	DESCRIPTION
20090-002	ASSEMBLY, ELECTRIC HEATING SYSTEM, 6,842BTU - 2KW, FMCH2E, 120V TOP
20090-102	ASSEMBLY, ELECTRIC HEATING SYSTEM, 6,842BTU - 2KW, FMCH2E, 230V TOP



20090-002 SHOWN



ITEM NO.	QTY	PART NUMBER	DESCRIPTION
17	2	70352-001	FABRICATION, BRACKET, BLOWER, ELECTRIC HEATING SYSTEM, FMCH2E
16	1	70351-001	FABRICATION, SUPPORT, BASE, ELECTRIC HEATING SYSTEM, FMCH2E
15	1	70350-001	FABRICATION, BASE, ELECTRIC HEATING SYSTEM, FMCH2E
14	1	70086-001	FABRICATION, LID, ENCLOSURE, HEATER COIL, AIR CONDITIONER, FM9R - FM20R
13	1	70085-001	FABRICATION, ENCLOSURE, HEATER COIL, AIR CONDITIONER, FM9R - FM20R
12	16	60533-001	RIVET, 3/16" DIA. .062-.125" GRIP RANGE, SSB6-2S
11	12	60527-001	SELF TAP, #8 X 1/2 HWH SELF DRILL 18-8 SS
10	1	60504-001	LABEL, CAUTION, HIGH VOLTAGE, 2.5" X 1.5"
9	1	60131-001	GROMMET, 11/16" PUSH-IN LOCKING, NYLON
8	1	60062-001	SWITCH, THERMAL LIMIT, 130 DEG. F, NC
7	-	60032-002	HEATER ELEMENT, COIL, 45"L, 8MM, 2000W, 240VAC, DBL END THRD BULKHEAD
6	1	60032-001	HEATER ELEMENT, COIL, 45"L, 8MM, 2000W, 120VAC, DBL END THRD BULKHEAD
5	-	60010-001	BLOWER, PSC, SHADED POLE, 1TDT3, 230V
4	1	60006-001	BLOWER, PSC, SHADED POLE, 1TDT2, 115V
3	A/R	A/R	LOOM, SPLIT-TYPE, BLUE TRACER, 1/2", 1100', M125-0120-A
2	1	20515-001	ASSEMBLY, THERMOSTAT, SELF-CONTAINED, A/C, 9K-36K UNIVERSAL
1	1	20017-002	ASSEMBLY, CONTROL BOX, CHILLED WATER, FAN COIL, WITH OPTIONAL HEAT, 9K-36K UNIVERSAL

FLAGSHIP MARINE, INC. BILL OF MATERIALS			
ITEM NO.	QTY	PART NUMBER	DESCRIPTION
17	2	70352-001	FABRICATION, BRACKET, BLOWER, ELECTRIC HEATING SYSTEM, FMCH2E
16	1	70351-001	FABRICATION, SUPPORT, BASE, ELECTRIC HEATING SYSTEM, FMCH2E
15	1	70350-001	FABRICATION, BASE, ELECTRIC HEATING SYSTEM, FMCH2E
14	1	70086-001	FABRICATION, LID, ENCLOSURE, HEATER COIL, AIR CONDITIONER, FM9R - FM20R
13	1	70085-001	FABRICATION, ENCLOSURE, HEATER COIL, AIR CONDITIONER, FM9R - FM20R
12	16	60533-001	RIVET, 3/16" DIA. .062-.125" GRIP RANGE, SSB6-2S
11	12	60527-001	SELF TAP, #8 X 1/2 HWH SELF DRILL 18-8 SS
10	1	60504-001	LABEL, CAUTION, HIGH VOLTAGE, 2.5" X 1.5"
9	1	60131-001	GROMMET, 11/16" PUSH-IN LOCKING, NYLON
8	1	60062-001	SWITCH, THERMAL LIMIT, 130 DEG. F, NC
7	-	60032-002	HEATER ELEMENT, COIL, 45"L, 8MM, 2000W, 240VAC, DBL END THRD BULKHEAD
6	1	60032-001	HEATER ELEMENT, COIL, 45"L, 8MM, 2000W, 120VAC, DBL END THRD BULKHEAD
5	-	60010-001	BLOWER, PSC, SHADED POLE, 1TDT3, 230V
4	1	60006-001	BLOWER, PSC, SHADED POLE, 1TDT2, 115V
3	A/R	A/R	LOOM, SPLIT-TYPE, BLUE TRACER, 1/2", 1100', M125-0120-A
2	1	20515-001	ASSEMBLY, THERMOSTAT, SELF-CONTAINED, A/C, 9K-36K UNIVERSAL
1	1	20017-002	ASSEMBLY, CONTROL BOX, CHILLED WATER, FAN COIL, WITH OPTIONAL HEAT, 9K-36K UNIVERSAL

**Flagship Marine**  
 FLAGSHIP MARINE, INC.  
 2427 SE DIXIE HIGHWAY  
 STUART | FLORIDA | 34996 | USA  
 (772) 283-1609 | (800) 316-6426  
 FAX (772) 283-4611

**PROPRIETARY AND CONFIDENTIAL**  
 THIS DOCUMENT CONTAINS INFORMATION PROPRIETARY TO FLAGSHIP MARINE, INC. NO PART MAY BE REPRODUCED, USED IN ANY FORM, OR STORED ELECTRONICALLY WITHOUT THE WRITTEN PERMISSION OF FLAGSHIP MARINE, INC.

UNLESS OTHERWISE SPECIFIED:		NAME	DATE
DIMENSIONS ARE IN INCHES		DRAWN	SWC 1/3/2011
TOLERANCES:		CHECKED	TCM -
FRACTIONS ± 1/32		ENG APPR.	TCM -
ANG: MACH ± 0°30' BEND ± 2°		MFG APPR.	TCM -
DECIMALS .XX ± .01		Q.A.	EAS -
.XXX ± .005		PERP	± .003/IN
HOLE Ø .XX ± .005		STRAIGHTNESS	± .005/IN
INTERPRET GEOMETRIC TOLERANCING PER: ASME Y14.5M		FLATNESS	± .005/IN
MATERIAL		THREADS:	EXTERNAL - CLASS 2A
FINISH		INTERNAL - CLASS 2B	63/ U.O.S
MACHINED SURFACES: ✓ U.O.S			
NEXT ASSY	USED ON		
APPLICATION	DO NOT SCALE DRAWING		

TITLE: ASSEMBLY, ELECTRIC HEATING SYSTEM, 6,842BTU - 2KW, FMCH2E, 120V TOP

PART NO. **20090-002**

SIZE **B** DWG. NO. **FM20090** REV **C**

OLD PART NO. -

SCALE: 1:6 WGT: 11.42 LBS SHEET 2 OF 2

2. PREFERRED LIMITS AND FITS PER ANSI B4.1 (INCHES).  
 1. DIMENSIONING & TOLERANCING PER ASME Y14.5M.

NOTES: