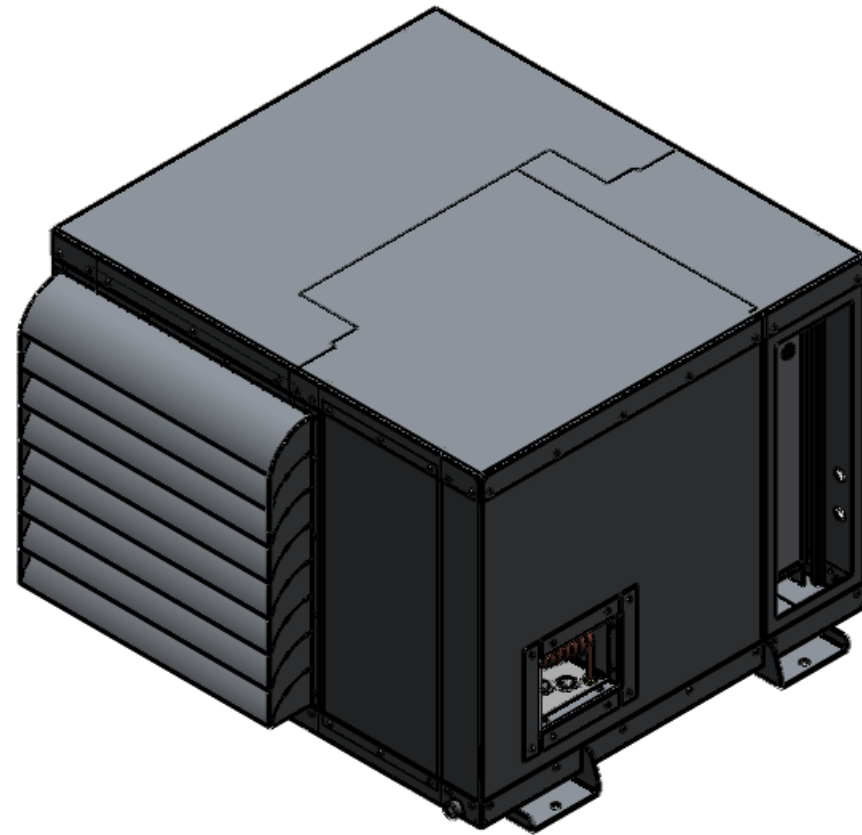


PART NUMBER	DESCRIPTION
20100-001	ASSEMBLY, SELF CONTAINED, AIR COOLED, FM24AC
20100-011	ASSEMBLY, SELF CONTAINED, AIR COOLED, FM24AC, WITH OPTIONAL HEAT

FLAGSHIP MARINE, INC.				
REV.	ZONE	DESCRIPTION	DATE	ENG APPROVAL
01	-	INITIAL CHECK-IN	3/30/2012	-
02	-	FAN MOTOR WAS 60049-001; UPDATES PART NUMBERS	4/16/2012	-
03	-	28.00 WAS 25.00; 34.00 WAS 26.00; 41.45 WAS 33.45; 22.00 WAS 18.00; DELETE 80226-002; ADD 80059-001; 60302-001 WAS 60303-001	7/20/2012	-



39	8C375MXPS	#8-32 x 3/8" PHMS 18-8 SS	-	4
38	80156-001	WELDMENT, SHROUD PANEL, FAN, SELF CONTAINED, AIR COOLED, FM48AC & FM60AC	1	1
37	80151-001	WELDMENT, PANEL, LOUVER, SELF CONTAINED, AIR COOLED, UNIVERSAL	2	2
36	80150-001	WELDMENT, BASE, SELF CONTAINED, AIR COOLED, FM24AC	1	1
35	80059-001	WELDMENT, PANEL, LOUVER, SELF CONTAINED, AIR COOLED, UNIVERSAL	1	1
34	70530-101	FABRICATION, BRACKET, BLOWER 1TDU2, SELF CONTAINED, AIR COOLED, UNIVERSAL	2	2
33	70530-001	FABRICATION, BRACKET, BLOWER 1TDU2, SELF CONTAINED, AIR COOLED, UNIVERSAL	2	2
32	70413-001	FABRICATION, PANEL, BIVECTOR, EVAPORATOR, SELF CONTAINED, AIR COOLED, FM24AC	1	1
31	70411-001	FABRICATION, PANEL, CORNER, RETURN AIR, SELF CONTAINED, AIR COOLED, FM24AC	1	1
30	70410-001	FABRICATION, BRACKET, BLOWER, SELF CONTAINED, AIR COOLED, UNIVERSAL	2	2
29	70409-001	FABRICATION, PANEL, BIVECTOR, SELF CONTAINED, AIR COOLED, FM24AC	1	1
28	70408-001	FABRICATION, PANEL, CORNER, BLOWER, SELF CONTAINED, AIR COOLED, FM24AC	1	1
27	70407-002	FABRICATION, PANEL, CENTER, SELF CONTAINED, AIR COOLED, FM24AC	1	1
26	70407-001	FABRICATION, PANEL, CENTER, SELF CONTAINED, AIR COOLED, FM24AC	1	1
25	70405-002	FABRICATION, PANEL, CLOSEOUT, SELF CONTAINED, AIR COOLED, FM24AC	1	1
24	70405-001	FABRICATION, PANEL, CLOSEOUT, SELF CONTAINED, AIR COOLED, FM24AC	1	1
23	70404-001	FABRICATION, PANEL, ACCESS, SELF CONTAINED, AIR COOLED, FM24AC	2	2
22	70403-002	FABRICATION, PANEL, CORNER, SELF CONTAINED, AIR COOLED, FM24AC	1	1
21	70403-001	FABRICATION, PANEL, CORNER, SELF CONTAINED, AIR COOLED, FM24AC	1	1
20	70401-001	FABRICATION, LID, SELF CONTAINED, AIR COOLED, FM24AC	1	1
19	70139-001	FABRICATION, LID, ENCLOSURE, HEATER COIL, AIR CONDITIONER, FM24R - FM60R	-	1
18	70138-001	FABRICATION, ENCLOSURE, HEATER COIL, AIR CONDITIONER, FM24R - FM60R	-	1
17	60533-001	RIVET, 3/16" DIA. .062-.125" GRIP RANGE, SSB6-2S	43	43
16	60302-001	MOTOR, .75HP, 1140RPM, 1PH, 60HZ, 143T, 3528LC, TEFC, 7/8" SHAFT	1	1
15	60256-001	COMPRESSOR, SCROLL, 1PH, 60 Hz, 208-230V	1	1
14	60215-001	EVAPORATOR, 24000 MBTU, 16HX17W, 3 ROW	3	3
13	60131-001	GROMMET, 11/16" PUSH-IN LOCKING, NYLON	9	10
12	60075-001	FAN, 2382CFM, 0.4H2O, 3/4HP, 22/4-4/P5ZR/25/PA/0.875/0.187/BR/JA	1	1
11	60071-001	STANDOFF, .385 ID X 1.406 OD X 1.00 THK, 70 DURO EPDM BLACK	4	4
10	60070-001	WASHER, .385 ID X 1.406 OD X .25 THK, 60 DURO EPDM BLACK	4	4
9	60062-001	THERMAL LIMIT SWITCH, 130 DEGREE	-	1
8	60060-001	THERMAL LIMIT SWITCH, 110 DEGREE	-	1
7	60035-001	HEATER ELEMENT, COIL, 74"L, 8MM, 4000W, 230VAC, DBL END THRD BULKHEAD	-	1
6	60012-001	BLOWER, PSC, FORWARD CURVE, DIRECT DRIVE, WHEEL DIA 8 1/4", DAYTON 1TDU2	1	1
5	37NWLOS	3/8 LOCK WASHER SS	4	4
4	37N125WFES	3/8 X 1-1/4 FENDER WASHER SS	4	4
3	37CNFHS	3/8 HEX FINISH NUT SS	4	4
2	20035-001	ASSEMBLY, CONTROL BOX, SELF CONTAINED, AIR COOLED, UNIVERSAL	1	1
1	1131943	#8-18 X 1/2" HWH #3 PT SELF DRILLING SCREW, 410 SS	164	169
ITEM NO.	PART NUMBER	DESCRIPTION	20100-001/QTY.	20100-011/QTY.

PRELIMINARY - UNRELEASED
CHANGES WILL NOT BE RECORDED
Friday, July 20, 2012

FLAGSHIP MARINE, INC. BILL OF MATERIALS

FLAGSHIP MARINE, INC.
2427 SE DIXIE HIGHWAY
STUART | FLORIDA | 34996 | USA
(772) 283-1609 | (800) 316-6426
FAX (772) 283-4611

PROPRIETARY AND CONFIDENTIAL
THIS DOCUMENT CONTAINS INFORMATION PROPRIETARY TO FLAGSHIP MARINE, INC. NO PART MAY BE REPRODUCED, USED IN ANY FORM, OR STORED ELECTRONICALLY WITHOUT THE WRITTEN PERMISSION OF FLAGSHIP MARINE, INC.

UNLESS OTHERWISE SPECIFIED:		NAME	DATE
DIMENSIONS ARE IN INCHES		DRAWN	SWC 10/16/2009
TOLERANCES:		CHECKED	TCM -
FRACTIONS ± 1/32		ENG APPR.	TCM -
ANG: MACH ± 0°30' BEND ± 2°		MFG APPR.	TCM -
DECIMALS .XX ± .01		Q.A.	EAS -
.XXX ± .005		PERP	∟ .003/IN
HOLE Ø .XX ± .005		STRAIGHTNESS	∥ .005/IN
INTERPRET GEOMETRIC TOLERANCING PER: ASME Y14.5M		FLATNESS	∩ .005/IN
MATERIAL		THREADS:	EXTERNAL - CLASS 2A
FINISH		INTERNAL - CLASS 2B	∅ U.O.S
NEXT ASSY		MACHINED SURFACES:	✓ U.O.S
USED ON			
APPLICATION			
DO NOT SCALE DRAWING			

TITLE: ASSEMBLY, SELF CONTAINED, AIR COOLED, FM24AC

PART NO. 20100-0XX

SIZE **B** DWG. NO. **FM20100** REV **03**

OLD PART NO. -

SCALE: 1:12 WGT: 698.58 LBS SHEET 1 OF 2

2. PREFERRED LIMITS AND FITS PER ANSI B4.1 (INCHES).
1. DIMENSIONING & TOLERANCING PER ASME Y14.5M.
NOTES:

8 7 6 5 4 2 1

D

D

C

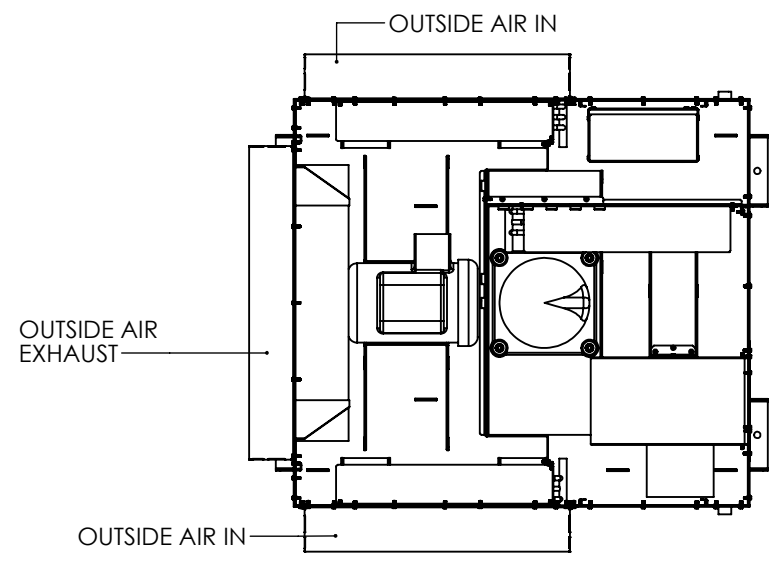
C

B

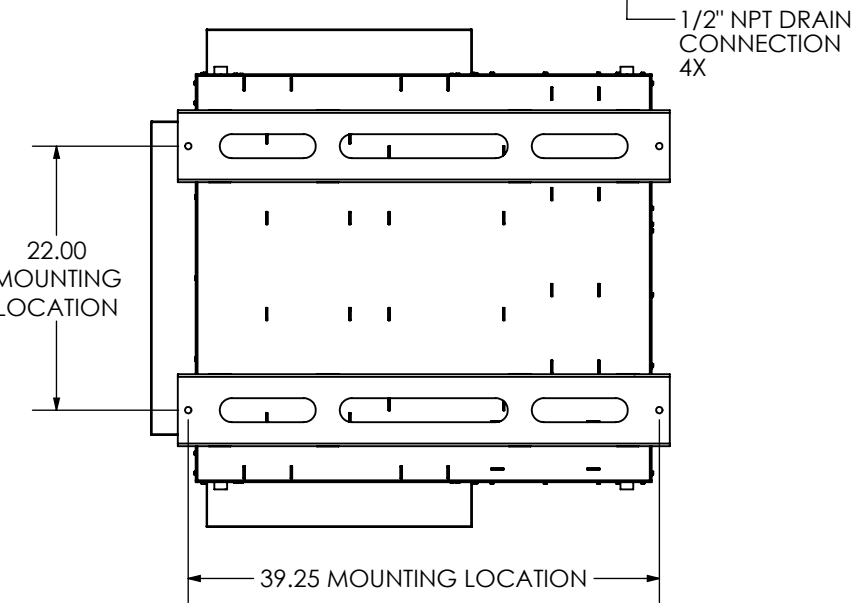
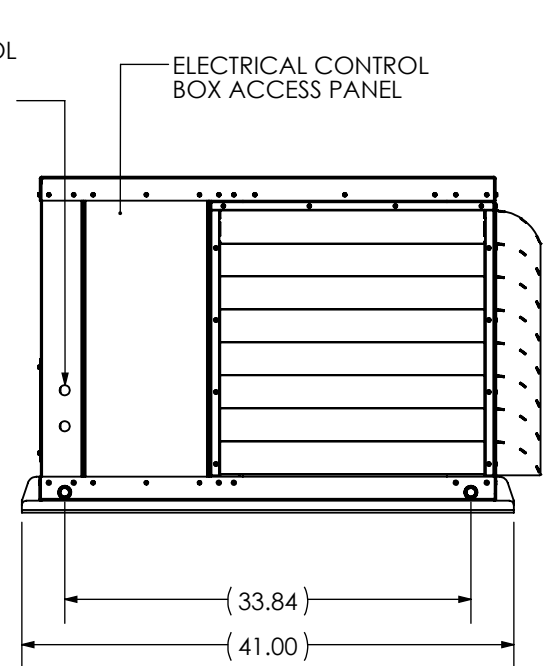
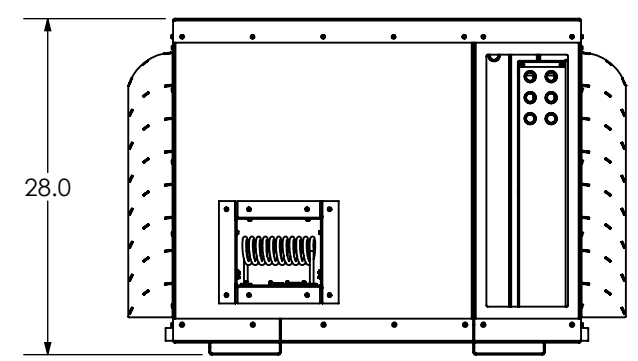
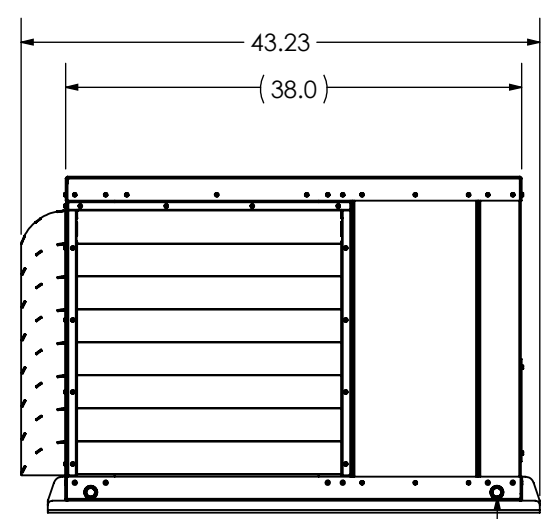
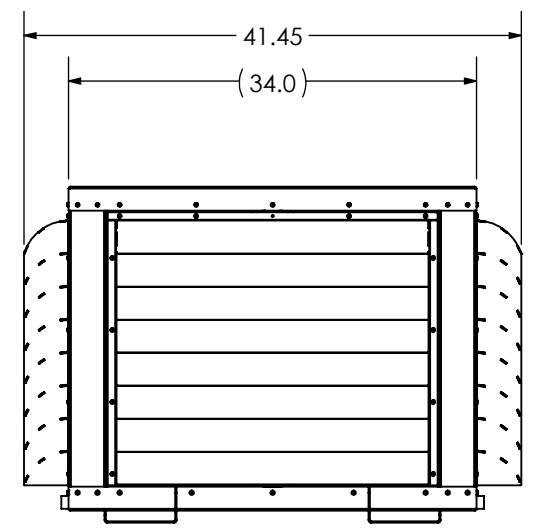
B

A

A



TOP VIEW
WITH LID REMOVED FOR CLAIRTY



Flagship Marine
Commercial Quality Factory Direct Prices
2427 SE DIXIE HIGHWAY | STUART | FLORIDA | 34996 | USA
(772) 283-1609 | (800) 316-6426 FAX (772) 283-4611

DRAWN	-
CHECKED	-
ENG APPR.	-

SIZE	DRAWING NO.	REV
B	FM20100	03
WGT: 698.58 LBS	SCALE: 1:16	SHEET 2 OF 2

8 7 6 5 4 3 2 1