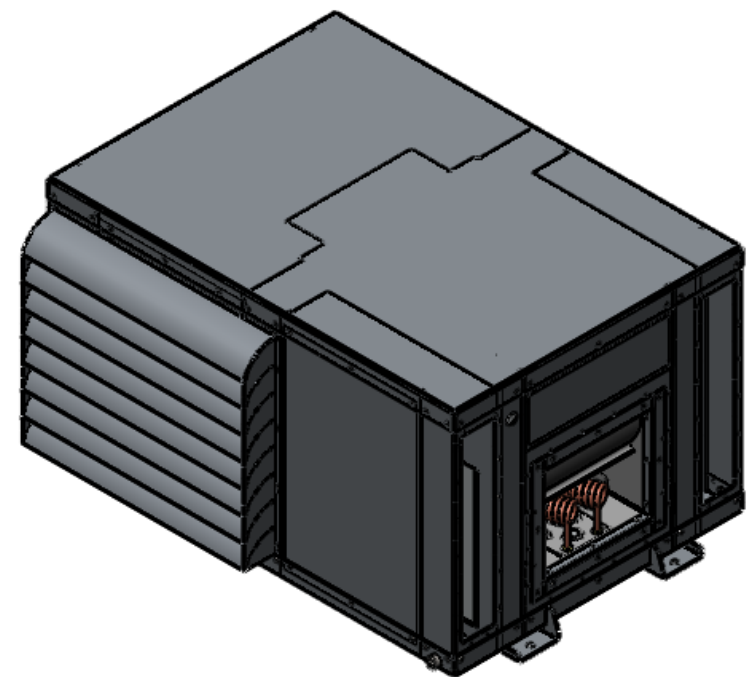


PART NUMBER	DESCRIPTION	FLAGSHIP MARINE, INC.				
		REV.	ZONE	DESCRIPTION	DATE	ENG APPROVAL
20103-001	ASSEMBLY, SELF CONTAINED, AIR COOLED, FM48AC	01	-	INITIAL CHECK-IN	5/3/2012	-
20103-011	ASSEMBLY, SELF CONTAINED, AIR COOLED, FM48AC, WITH OPTIONAL HEAT	02	-	ADDED 60015-001; ADDED 60078-001; ADDED 60214-001; ADDED 60269-001; 60304-001 WAS 60301-001; 80156-001 WAS 70448-001; DELETE 80226-002	7/23/2012	-



42	8C375MXPS	#8-32 x 3/8" PHMS 18-8 SS	-	4
41	80156-001	WELDMENT, SHROUD PANEL, FAN, SELF CONTAINED, AIR COOLED, FM48AC & FM60AC	1	1
40	80154-001	WELDMENT, BASE, SELF CONTAINED, AIR COOLED, FM48AC	1	1
39	80059-001	WELDMENT, PANEL, LOUVER, SELF CONTAINED, AIR COOLED, UNIVERSAL	3	3
38	70467-001	FABRICATION, PANEL, ACCESS, CONTROL BOX, SELF CONTAINED, AIR COOLED, FM48AC	1	1
37	70466-001	FABRICATION, COVER, CONTROL BOX, SELF CONTAINED, AIR COOLED, FM48AC	1	1
36	70465-001	FABRICATION, CONTROL BOX, SELF CONTAINED, AIR COOLED, FM48AC	1	1
35	70462-002	FABRICATION, PANEL, EVAPORATOR, SELF CONTAINED, AIR COOLED, FM48AC	1	1
34	70462-001	FABRICATION, PANEL, EVAPORATOR, SELF CONTAINED, AIR COOLED, FM48AC	1	1
33	70461-001	FABRICATION, PANEL, CORNER, SELF CONTAINED, AIR COOLED, FM20AC	1	1
32	70459-001	FABRICATION, PANEL, BIVECTOR, SELF CONTAINED, AIR COOLED, FM48AC	1	1
31	70458-002	FABRICATION, PANEL, CORNER, SELF CONTAINED, AIR COOLED, FM48AC	1	1
30	70458-001	FABRICATION, PANEL, CORNER, SELF CONTAINED, AIR COOLED, FM48AC	1	1
29	70457-002	FABRICATION, PANEL, CENTER, SELF CONTAINED, AIR COOLED, FM48AC	1	1
28	70457-001	FABRICATION, PANEL, CENTER, SELF CONTAINED, AIR COOLED, FM48AC	1	1
27	70456-102	FABRICATION, BRACKET, BLOWER 1XJY4, AIR HANDLER	2	2
26	70456-002	FABRICATION, BRACKET, BLOWER 1XJY4, AIR HANDLER	2	2
25	70455-002	FABRICATION, PANEL, CLOSEOUT, SELF CONTAINED, AIR COOLED, FM48AC	1	1
24	70455-001	FABRICATION, PANEL, CLOSEOUT, SELF CONTAINED, AIR COOLED, FM48AC	1	1
23	70454-001	FABRICATION, PANEL, ACCESS, SELF CONTAINED, AIR COOLED, FM48AC	2	2
22	70453-002	FABRICATION, PANEL, CORNER, SELF CONTAINED, AIR COOLED, FM48AC	1	1
21	70453-001	FABRICATION, PANEL, CORNER, SELF CONTAINED, AIR COOLED, FM48AC	1	1
20	70451-001	FABRICATION, LID, SELF CONTAINED, AIR COOLED, FM48AC	1	1
19	70410-001	FABRICATION, BRACKET, BLOWER, SELF CONTAINED, AIR COOLED, UNIVERSAL	2	2
18	70169-001	FABRICATION, LID, ENCLOSURE, HEATER COIL, AIR CONDITIONER, FM48S - FM180S	-	1
17	70168-001	FABRICATION, ENCLOSURE, HEATER COIL, AIR CONDITIONER, FM48S - FM180S	-	1
16	60533-001	RIVET, 3/16" DIA. .062-.125" GRIP RANGE, SSB6-2S	34	34
15	60304-001	MOTOR, 2HP, 1730RPM, 1PH, 60HZ, 56HZ, 3528LC, TEFC, F1, 7/8" SHAFT	1	1
14	60269-001	CONDENSER, SCROLL, 1PH, 60 Hz, 208V	1	1
13	60214-001	EVAPORATOR, 24000 MBTU, 16HX17W, 3 ROW	6	6
12	60131-001	GROMMET, 1 1/16" PUSH-IN LOCKING, NYLON	10	11
11	60078-001	FAN, 4007CFM, 1.1H2O, 2HP, 22/4-4/P5ZR/32.5/PA/0.875/0.187/BR/JA	1	1
10	60071-001	STANDOFF, .385 ID X 1.406 OD X 1.00 THK, 70 DURO EPDM BLACK	4	4
9	60070-001	WASHER, .385 ID X 1.406 OD X .25 THK, 60 DURO EPDM BLACK	4	4
8	60062-001	THERMAL LIMIT SWITCH, 130 DEGREE	-	1
7	60060-001	THERMAL LIMIT SWITCH, 110 DEGREE	-	2
6	60035-001	HEATER ELEMENT, COIL, 74"L, 8MM, 4000W, 230VAC, DBL END THRD BULKHEAD	-	2
5	60015-001	BLOWER, PSC, FORWARD CURVE, DIRECT DRIVE, WHEEL DIA 11"	1	1
4	37NWLOS	3/8 LOCK WASHER SS	4	4
3	37N125WFES	3/8 X 1-1/4 FENDER WASHER SS	4	4
2	37CNFHS	3/8 HEX FINISH NUT SS	4	4
1	1131943	#8-18 X 1/2" HWH #3 PT SELF DRILLING SCREW, 410 SS	169	179

ITEM NO.	PART NUMBER	DESCRIPTION	20103-001/QTY.	20103-011/QTY.
----------	-------------	-------------	----------------	----------------

**FLAGSHIP MARINE, INC. BILL OF MATERIALS**

**FLAGSHIP MARINE, INC.**  
 2427 SE DIXIE HIGHWAY  
 STUART | FLORIDA | 34996 | USA  
 (772) 283-1609 | (800) 316-6426  
 FAX (772) 283-4611

**PROPRIETARY AND CONFIDENTIAL**

THIS DOCUMENT CONTAINS INFORMATION PROPRIETARY TO FLAGSHIP MARINE, INC. NO PART MAY BE REPRODUCED, USED IN ANY FORM, OR STORED ELECTRONICALLY WITHOUT THE WRITTEN PERMISSION OF FLAGSHIP MARINE, INC.

UNLESS OTHERWISE SPECIFIED:	NAME	DATE
DIMENSIONS ARE IN INCHES	DRAWN	SWC 10/16/2009
TOLERANCES:	CHECKED	TCM -
FRACTIONS ± 1/32	ENG APPR.	TCM -
ANG: MACH ± 0°30' BEND ± 2°	MFG APPR.	TCM -
DECIMALS .XX ± .01	Q.A.	EAS -
.XXX ± .005	PERP	∟ .003/IN
HOLE Ø .XX ± .005	STRAIGHTNESS	∥ .005/IN
INTERPRET GEOMETRIC TOLERANCING PER: ASME Y14.5M	FLATNESS	∕∕ .005/IN
MATERIAL	THREADS:	EXTERNAL - CLASS 2A
FINISH	INTERNAL - CLASS 2B	MACHINED SURFACES: ✓ U.O.S
NEXT ASSY	USED ON	
APPLICATION	DO NOT SCALE DRAWING	

TITLE: ASSEMBLY, SELF CONTAINED, AIR COOLED, FM48AC

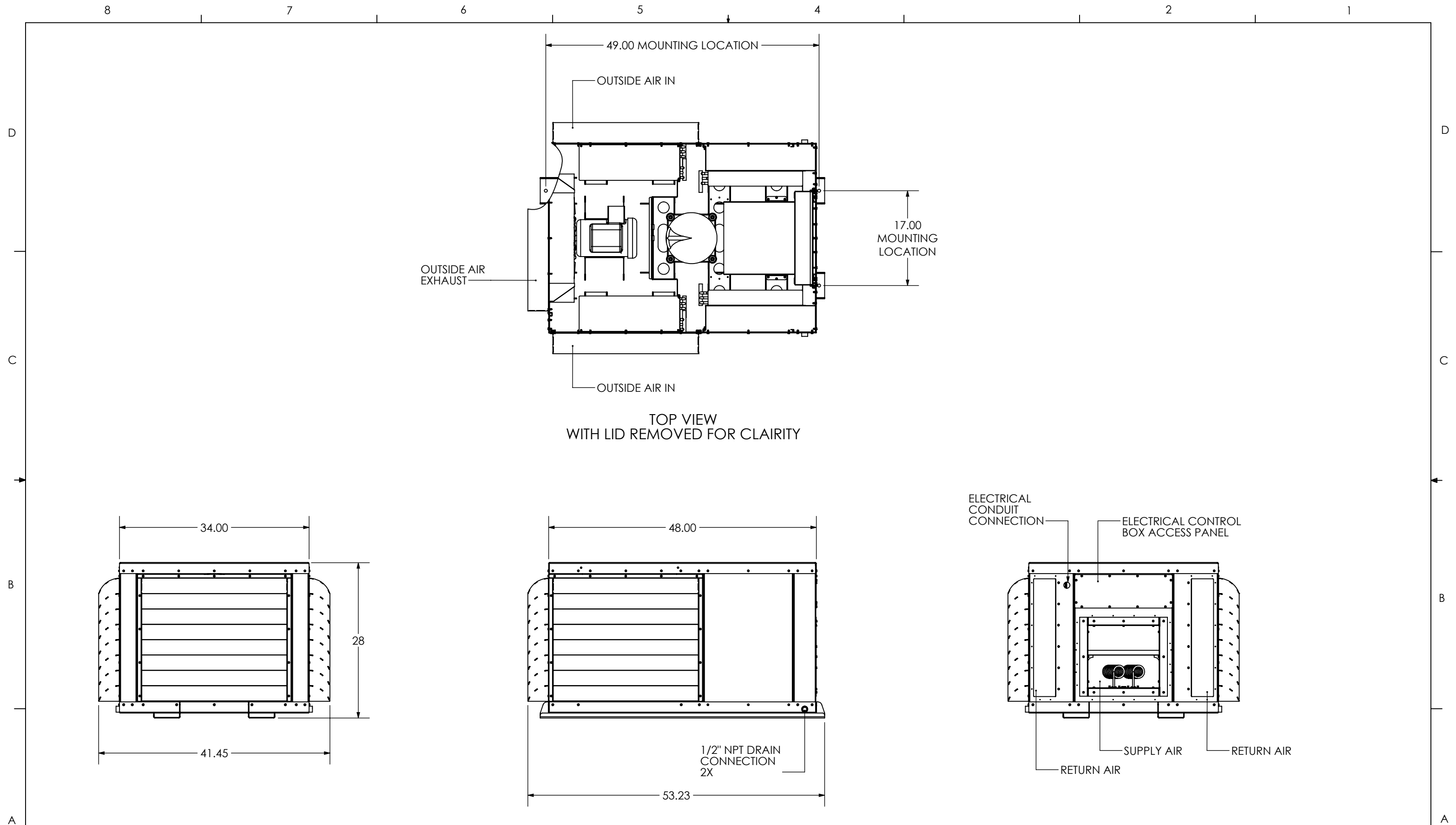
PART NO. 20103-0XX

SIZE DWG. NO. REV  
**B** FM20103 **02**

OLD PART NO. -

SCALE: 1:16 | WGT: 1091.97 LB\$ SHEET 1 OF 2

3. ASSEMBLED UNIT IS 449lbs, COMBINED PLENUMS WEIGH 66 lbs.
2. PREFERRED LIMITS AND FITS PER ANSI B4.1 (INCHES).
1. DIMENSIONING & TOLERANCING PER ASME Y14.5M.
- NOTES:



**Flagship Marine**  
 Commercial Quality Factory Direct Prices  
 2427 SE DIXIE HIGHWAY | STUART | FLORIDA | 34996 | USA  
 (772) 283-1609 | (800) 316-6426 FAX (772) 283-4611

DRAWN -	SIZE B	DRAWING NO. FM20103	REV 02
CHECKED -	WGT: 1091.97 LBS	SCALE: 1:16	SHEET 2 OF 2
ENG APPR. -			