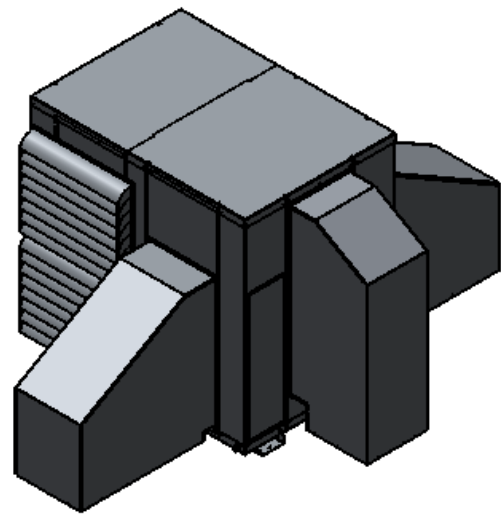


PART NUMBER		DESCRIPTION		FLAGSHIP MARINE, INC.				
20106-001	ASSEMBLY, SELF CONTAINED, AIR COOLED, FM120AC, 230V			REV.	ZONE	DESCRIPTION	DATE	ENG APPROVAL
20106-011	ASSEMBLY, SELF CONTAINED, AIR COOLED, FM120AC, 230V, WITH OPTIONAL HEAT			01	-	INITIAL CHECK-IN	7/13/2011	-



48	ZRT08KC-TF-5950	COMPRESSOR, 3PH, 60 Hz, 230V	1	1
47	8NWLOS	8-32 LOCK WASHER SS	16	16
46	8CNMES	8-32 MACHINE SCREW NUT SS	16	16
45	80165-002	WELDMNT, BASE, SELF CONTAINED, AIR COOLED, FM120AC	1	1
44	80158-001	WELDMNT, SHROUD PANEL, FAN, SELF CONTAINED, AIR COOLED, FM120AC	1	1
43	80059-001	WELDMNT, PANEL, LOUVER, SELF CONTAINED, AIR COOLED, UNIVERSAL	6	6
42	70589-001	FABRICATION, PANEL, ACCESS, CONTROL BOX, SELF CONTAINED, AIR COOLED, FM120AC	2	2
41	70588-001	FABRICATION, BRACKET, BLOWER, SELF CONTAINED, AIR COOLED, FM120AC	1	1
40	70587-001	FABRICATION, PLENUM, RETURN AIR, SELF CONTAINED, AIR COOLED, FM120AC	2	2
39	70586-001	FABRICATION, PLENUM, SUPPLY AIR, SELF CONTAINED, AIR COOLED, FM120AC	1	1
38	70585-001	FABRICATION, PANEL, BLOWER, SELF CONTAINED, AIR COOLED, FM120AC	1	1
37	70584-001	FABRICATION, PANEL, BIVECTOR, SELF CONTAINED, AIR COOLED, FM120AC	1	1
36	70583-002	FABRICATION, PANEL, CORNER, SELF CONTAINED, AIR COOLED, FM120AC	1	1
35	70583-001	FABRICATION, PANEL, CORNER, SELF CONTAINED, AIR COOLED, FM120AC	1	1
34	70582-002	FABRICATION, PANEL, CENTER, SELF CONTAINED, AIR COOLED, FM120AC	1	1
33	70582-001	FABRICATION, PANEL, CENTER, SELF CONTAINED, AIR COOLED, FM120AC	1	1
32	70581-002	FABRICATION, PANEL, CLOSEOUT, SELF CONTAINED, AIR COOLED, FM120AC	1	1
31	70581-001	FABRICATION, PANEL, CLOSEOUT, SELF CONTAINED, AIR COOLED, FM120AC	1	1

30	70580-001	FABRICATION, PANEL, ACCESS, SELF CONTAINED, AIR COOLED, FM120AC	2	2
29	70579-002	FABRICATION, PANEL, CORNER, SELF CONTAINED, AIR COOLED, FM120AC	1	1
28	70579-001	FABRICATION, PANEL, CORNER, SELF CONTAINED, AIR COOLED, FM120AC	1	1
27	70551-001	FABRICATION, LID, SELF CONTAINED, AIR COOLED, FM60AC	1	1
26	70456-101	FABRICATION, BRACKET, BLOWER 1XJY2, AIR HANDLER	4	4
25	70456-001	FABRICATION, BRACKET, BLOWER 1XJY2, AIR HANDLER	4	4
24	70169-001	FABRICATION, LID, ENCLOSURE, HEATER COIL, AIR CONDITIONER, FM48S FM180S	-	2
23	70168-001	FABRICATION, ENCLOSURE, HEATER COIL, AIR CONDITIONER, FM48S FM180S	-	2
22	70140-001	FABRICATION, MOTOR MOUNT, AIR HANDLER	2	2
21	60216-001	EVAPORATOR, 36000 MBTU, 17.50HX18.13W, 3 ROW	12	12
20	60131-001	GROMMET, 11/16" PUSH-IN LOCKING, NYLON	3	5
19	60071-001	STANDOFF, .385 ID X 1.406 OD X 1.00 THK, 70 DURO EPDM BLACK	4	4
18	60070-001	WASHER, .385 ID X 1.406 OD X .25 THK, 60 DURO EPDM BLACK	4	4
17	60062-001	THERMAL LIMIT SWITCH, 130 DEGREE	-	2
16	60060-001	THERMAL LIMIT SWITCH, 110 DEGREE	-	4
15	60035-001	HEATER ELEMENT, COIL, 74"L, 8MM, 4000W, 230VAC, DBL END THRD BULKHEAD	-	4
14	60029-001	MOTOR, FAN, PSC, 3/4 HP, 1075, 230V, 48YZ, TEAO	2	2
13	60014-001	BLOWER, PSC, FORWARD CURVE, DIRECT DRIVE, WHEEL DIA 13"	2	2
12	50036-001	DETAIL, FAN HUB, HEX, 3/8IN SHAFT, AIR COOLED	2	2
11	4C903	FAN BLADE, 24IN DIA., 6360 CFM, 3/4 HP, PITCH 27 DEGREES	2	2
10	37NWLOS	3/8 LOCK WASHER SS	4	4
9	37N125WFES	3/8 X 1-1/4 FENDER WASHER SS	4	4
8	37CNFHS	3/8 HEX FINISH NUT SS	4	4
7	25NWLOS	1/4-20 LOCK WASHER SS	8	8
6	25CNFHS	1/4-20 MACHINE SCREW NUT SS	8	8
5	25C62HCSS	1/4-20 HEX CAP SCREW SS	8	8
4	20035-001	ASSEMBLY, CONTROL BOX, SELF CONTAINED, AIR COOLED, UNIVERSAL	1	2
3	1131943	#8-18 X 1/2" HWH #3 PT SELF DRILLING SCREW, 410 SS	387	427
2	72396	#8-32 x 3/8" PHMS 18-8 SS	24	32
1	41424	RIVET 3/16" DIA .062-.125" GRIP RANGE, SSB62S STAINLESS	73	79

PRELIMINARY - UNRELEASED  
CHANGES WILL NOT BE RECORDED  
Wednesday, July 13, 2011

ITEM NO.	PART NUMBER	DESCRIPTION	20106-001/QTY.	20106-011/QTY.
----------	-------------	-------------	----------------	----------------

ITEM NO.	PART NUMBER	DESCRIPTION	20106-001/QTY.	20106-011/QTY.
----------	-------------	-------------	----------------	----------------

**FLAGSHIP MARINE, INC. BILL OF MATERIALS**

**FLAGSHIP MARINE, INC.**  
2427 SE DIXIE HIGHWAY  
STUART | FLORIDA | 34996 | USA  
(772) 283-1609 | (800) 316-6426  
FAX (772) 283-4611

**PROPRIETARY AND CONFIDENTIAL**  
THIS DOCUMENT CONTAINS INFORMATION PROPRIETARY TO FLAGSHIP MARINE, INC. NO PART MAY BE REPRODUCED, USED IN ANY FORM, OR STORED ELECTRONICALLY WITHOUT THE WRITTEN PERMISSION OF FLAGSHIP MARINE, INC.

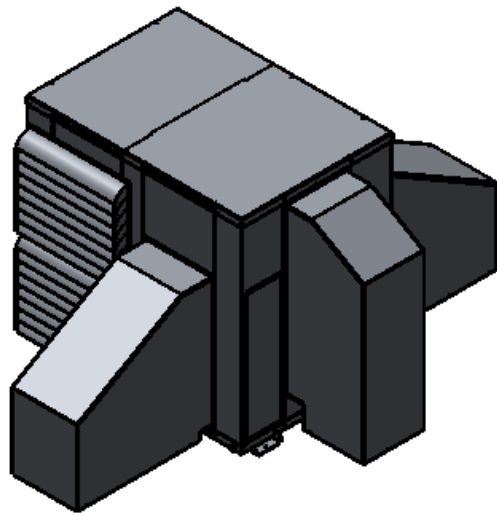
2. PREFERRED LIMITS AND FITS PER ANSI B4.1 (INCHES).  
1. DIMENSIONING & TOLERANCING PER ASME Y14.5M.

NOTES:

**FLAGSHIP MARINE, INC. BILL OF MATERIALS**

UNLESS OTHERWISE SPECIFIED: DIMENSIONS ARE IN INCHES TOLERANCES: FRACTIONS ± 1/32 ANG: MACH ± 0°30' BEND ± 2° DECIMALS .XX ± .01 .XXX ± .005 HOLE Ø .XX ± .005	DRAWN: SWC CHECKED: TCM ENG APPR.: TCM MFG APPR.: TCM Q.A.: EAS	NAME: SWC DATE: 10/16/2009	TITLE: ASSEMBLY, SELF CONTAINED, AIR COOLED, FM120AC, 230V PART NO. 20106-0X1
INTERPRET GEOMETRIC TOLERANCING PER: ASME Y14.5M	PERP STRAIGHTNESS ± .003/IN FLATNESS ± .005/IN THREADS: EXTERNAL - CLASS 2A INTERNAL - CLASS 2B MACHINED SURFACES: ✓ U.O.S	SIZE: <b>B</b> DWG. NO.: <b>FM20106</b> REV: <b>01</b>	OLD PART NO. - SCALE: 1:36   WGT: 2340.03 LBS   SHEET 1 OF 3
MATERIAL	FINISH	NEXT ASSY	USED ON
APPLICATION		DO NOT SCALE DRAWING	

PART NUMBER	DESCRIPTION	FLAGSHIP MARINE, INC.				
		REV.	ZONE	DESCRIPTION	DATE	ENG APPROVAL
20106-002	ASSEMBLY, SELF CONTAINED, AIR COOLED, FM120AC, 460V					
20106-012	ASSEMBLY, SELF CONTAINED, AIR COOLED, FM120AC, 460V, WITH OPTIONAL HEAT					



51	ZR144KC-TFD-950	CONDENSER, 3PH, 60 Hz, 460V	1	1
50	FM50040	-	6	6
49	8NWLOS	8-32 LOCK WASHER SS	24	24
48	8CNMES	8-32 MACHINE SCREW NUT SS	24	24
47	80165-002	WELDMENT, BASE, SELF CONTAINED, AIR COOLED, FM120AC	1	1
46	80158-001	WELDMENT, SHROUD PANEL, FAN, SELF CONTAINED, AIR COOLED, FM120AC	1	1
45	80059-001	WELDMENT, PANEL, LOUVER, SELF CONTAINED, AIR COOLED, UNIVERSAL	6	6
44	70589-001	FABRICATION, PANEL, ACCESS, CONTROL BOX, SELF CONTAINED, AIR COOLED, FM120AC	2	2
43	70588-001	FABRICATION, BRACKET, BLOWER, SELF CONTAINED, AIR COOLED, FM120AC	1	1
42	70587-001	FABRICATION, PLENUM, RETURN AIR, SELF CONTAINED, AIR COOLED, FM120AC	2	2
41	70586-001	FABRICATION, PLENUM, SUPPLY AIR, SELF CONTAINED, AIR COOLED, FM120AC	1	1
40	70585-001	FABRICATION, PANEL, BLOWER, SELF CONTAINED, AIR COOLED, FM120AC	1	1
39	70584-001	FABRICATION, PANEL, BIVECTOR, SELF CONTAINED, AIR COOLED, FM120AC	1	1
38	70583-002	FABRICATION, PANEL, CORNER, SELF CONTAINED, AIR COOLED, FM120AC	1	1
37	70583-001	FABRICATION, PANEL, CORNER, SELF CONTAINED, AIR COOLED, FM120AC	1	1
36	70582-002	FABRICATION, PANEL, CENTER, SELF CONTAINED, AIR COOLED, FM120AC	1	1
35	70582-001	FABRICATION, PANEL, CENTER, SELF CONTAINED, AIR COOLED, FM120AC	1	1
34	70581-002	FABRICATION, PANEL, CLOSEOUT, SELF CONTAINED, AIR COOLED, FM120AC	1	1
33	70581-001	FABRICATION, PANEL, CLOSEOUT, SELF CONTAINED, AIR COOLED, FM120AC	1	1
32	70580-001	FABRICATION, PANEL, ACCESS, SELF CONTAINED, AIR COOLED, FM120AC	2	2
31	70579-002	FABRICATION, PANEL, CORNER, SELF CONTAINED, AIR COOLED, FM120AC	1	1


30	70579-001	FABRICATION, PANEL, CORNER, SELF CONTAINED, AIR COOLED, FM120AC		1
29	70551-001	FABRICATION, LID, SELF CONTAINED, AIR COOLED, FM60AC		1
28	70456-101	FABRICATION, BRACKET, BLOWER 1XJY2, AIR HANDLER		4
27	70456-001	FABRICATION, BRACKET, BLOWER 1XJY2, AIR HANDLER		4
26	70169-001	FABRICATION, LID, ENCLOSURE, HEATER COIL, AIR CONDITIONER, FM48S - FM180S		2
25	70168-001	FABRICATION, ENCLOSURE, HEATER COIL, AIR CONDITIONER, FM48S - FM180S		2
24	70140-001	FABRICATION, MOTOR MOUNT, AIR HANDLER	4	4
23	60216-001	EVAPORATOR, 36000 MBTU, 17.50HX18.13W, 3 ROW	12	12
22	60131-001	GROMMET, 11/16" PUSH-IN LOCKING, NYLON	3	5
21	60071-001	STANDOFF, .385 ID X 1.406 OD X 1.00 THK, 70 DURO EPDM BLACK	14	14
20	60070-001	WASHER, .385 ID X 1.406 OD X .25 THK, 60 DURO EPDM BLACK	4	4
19	60062-001	THERMAL LIMIT SWITCH, 130 DEGREE	-	2
18	60060-001	THERMAL LIMIT SWITCH, 110 DEGREE	-	4
17	60035-002	HEATER ELEMENT, COIL, 74"L, 8MM, 4000W, 460VAC, DBL END THRD BULKHEAD	-	4
16	60029-001	MOTOR, FAN, PSC, 3/4 HP, 1075, 460V, 48YZ, TEAO	4	4
15	60027-001	CLAMP, T-BOLT BAND, 3/4" SS	4	4
14	60014-001	BLOWER, PSC, FORWARD CURVE, DIRECT DRIVE, WHEEL DIA 13"	2	2
13	50036-001	DETAIL, FAN HUB, HEX, 3/8IN SHAFT, AIR COOLED	2	2
12	4C903	FAN BLADE, 24IN DIA., 6360 CFM, 3/4 HP, PITCH 27 DEGREES	2	2
11	37NWLOS	3/8 LOCK WASHER SS	4	4
10	37N125WFES	3/8 X 1-1/4 FENDER WASHER SS	4	4
9	37CNFHS	3/8 HEX FINISH NUT SS	4	4
8	25NWLOS	1/4-20 LOCK WASHER SS	24	24
7	25CNFHS	1/4-20 MACHINE SCREW NUT SS	24	24
6	25C62HCSS	1/4-20 HEX CAP SCREW SS	8	8
5	25C150HCSS	1/4-20 HEX CAP SCREW SS	16	16
4	20035-001	ASSEMBLY, CONTROL BOX, SELF CONTAINED, AIR COOLED, UNIVERSAL	1	2
3	1131943	#8-18 X 1/2" HWH #3 PT SELF DRILLING SCREW, 410 SS	407	427
2	72396	#8-32 x 3/8" PHMS 18-8 SS	24	32
1	41424	RIVET 3/16" DIA .062-.125" GRIP RANGE, SSB62S STAINLESS	73	79

PRELIMINARY - UNRELEASED

CHANGES WILL NOT BE RECORDED Wednesday, July 23, 2014

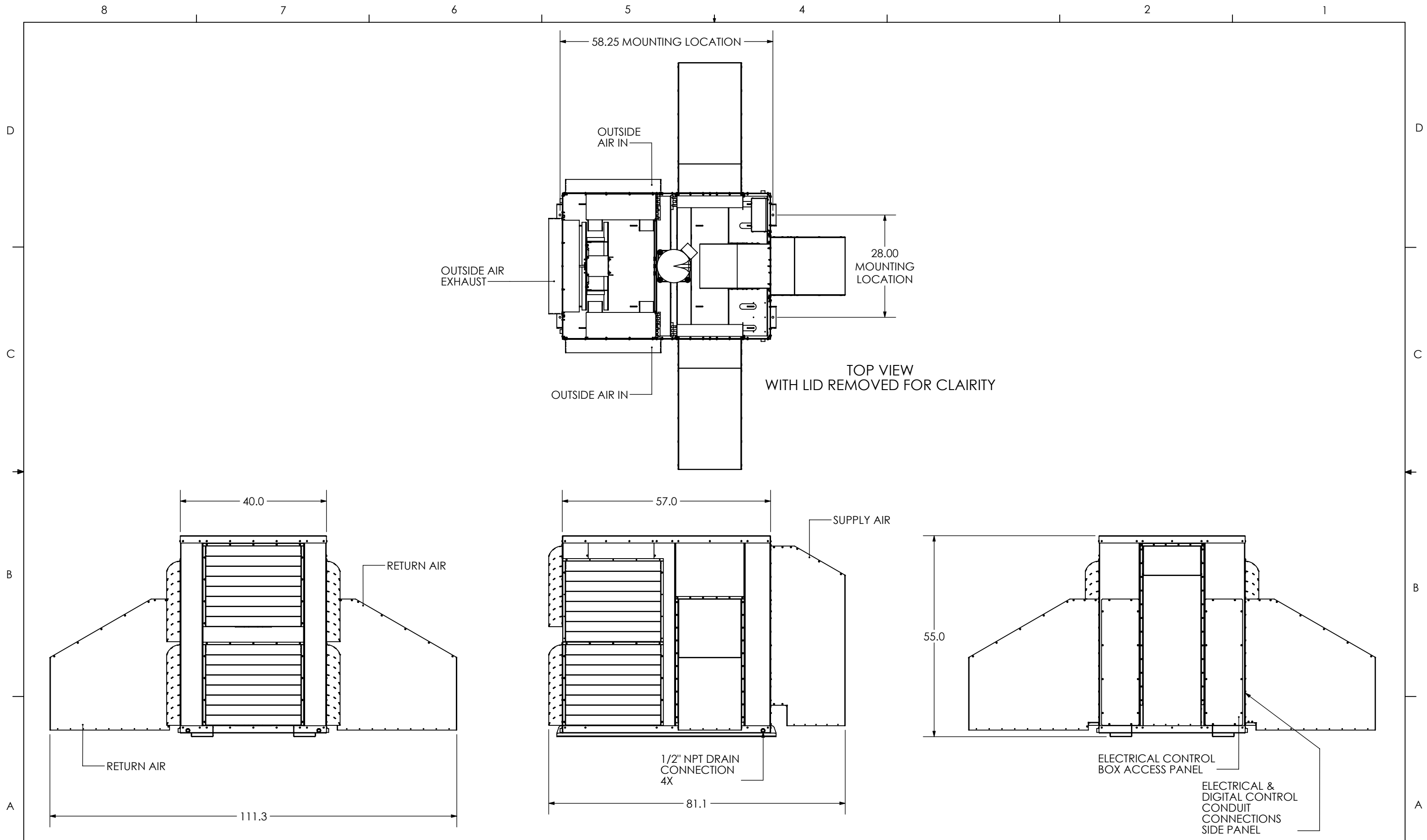
ITEM NO.	PART NUMBER	DESCRIPTION	20106-002/QTY.	20106-012/QTY.
FLAGSHIP MARINE, INC. BILL OF MATERIALS				

ITEM NO.	PART NUMBER	DESCRIPTION	20106-002/QTY.	20106-012/QTY.
FLAGSHIP MARINE, INC. BILL OF MATERIALS				

<p>2. PREFERRED LIMITS AND FITS PER ANSI B4.1 (INCHES).</p> <p>1. DIMENSIONING &amp; TOLERANCING PER ASME Y14.5M.</p> <p>NOTES:</p>	 <p><b>FLAGSHIP MARINE, INC.</b> 2427 SE DIXIE HIGHWAY STUART   FLORIDA   34996   USA (772) 283-1609   (800) 316-6426 FAX (772) 283-4611</p> <p><b>PROPRIETARY AND CONFIDENTIAL</b></p> <p>THIS DOCUMENT CONTAINS INFORMATION PROPRIETARY TO FLAGSHIP MARINE, INC. NO PART MAY BE REPRODUCED, USED IN ANY FORM, OR STORED ELECTRONICALLY WITHOUT THE WRITTEN PERMISSION OF FLAGSHIP MARINE, INC.</p>	<p>UNLESS OTHERWISE SPECIFIED:</p> <p>DIMENSIONS ARE IN INCHES</p> <p>TOLERANCES:</p> <p>FRACTIONS ± 1/32</p> <p>ANG: MACH ± 0°30' BEND ± 2°</p> <p>DECIMALS .XX ± .01</p> <p>.XXX ± .005</p> <p>HOLE Ø .XX ± .005</p> <p>INTERPRET GEOMETRIC TOLERANCING PER: ASME Y14.5M</p> <p>MATERIAL</p> <p>FINISH</p>	<table border="1"> <tr><td>DRAWN</td><td>SWC</td><td>10/16/2009</td></tr> <tr><td>CHECKED</td><td>TCM</td><td>-</td></tr> <tr><td>ENG APPR.</td><td>TCM</td><td>-</td></tr> <tr><td>MFG APPR.</td><td>TCM</td><td>-</td></tr> <tr><td>Q.A.</td><td>EAS</td><td>-</td></tr> </table>	DRAWN	SWC	10/16/2009	CHECKED	TCM	-	ENG APPR.	TCM	-	MFG APPR.	TCM	-	Q.A.	EAS	-	<p>TITLE: ASSEMBLY, SELF CONTAINED, AIR COOLED, FM120AC, 460V</p> <p>PART NO. 20106-0X2</p> <table border="1"> <tr> <td>SIZE</td> <td>DWG. NO.</td> <td>REV</td> </tr> <tr> <td><b>B</b></td> <td><b>FM20106</b></td> <td><b>01</b></td> </tr> </table> <p>OLD PART NO. -</p> <p>SCALE: 1:36   WGT: 2346.17 LBS   SHEET 2 OF 3</p>	SIZE	DWG. NO.	REV	<b>B</b>	<b>FM20106</b>	<b>01</b>	<table border="1"> <tr> <td>PERP STRAIGHTNESS</td> <td>± .003/IN</td> </tr> <tr> <td>FLATNESS</td> <td>± .005/IN</td> </tr> <tr> <td>THREADS:</td> <td></td> </tr> <tr> <td>EXTERNAL - CLASS 2A</td> <td></td> </tr> <tr> <td>INTERNAL - CLASS 2B</td> <td></td> </tr> <tr> <td>MACHINED SURFACES:</td> <td>√ U.O.S</td> </tr> </table>	PERP STRAIGHTNESS	± .003/IN	FLATNESS	± .005/IN	THREADS:		EXTERNAL - CLASS 2A		INTERNAL - CLASS 2B		MACHINED SURFACES:	√ U.O.S
				DRAWN	SWC	10/16/2009																																
				CHECKED	TCM	-																																
				ENG APPR.	TCM	-																																
MFG APPR.	TCM	-																																				
Q.A.	EAS	-																																				
SIZE	DWG. NO.	REV																																				
<b>B</b>	<b>FM20106</b>	<b>01</b>																																				
PERP STRAIGHTNESS	± .003/IN																																					
FLATNESS	± .005/IN																																					
THREADS:																																						
EXTERNAL - CLASS 2A																																						
INTERNAL - CLASS 2B																																						
MACHINED SURFACES:	√ U.O.S																																					
NEXT ASSY		USED ON																																				
APPLICATION		DO NOT SCALE DRAWING																																				

PRELIMINARY - UNRELEASED

CHANGES WILL NOT BE RECORDED Wednesday, July 23, 2014



**Flagship Marine**  
 Commercial Quality Factory Direct Prices  
 2427 SE DIXIE HIGHWAY | STUART | FLORIDA | 34996 | USA  
 (772) 283-1609 | (800) 316-6426 FAX (772) 283-4611

DRAWN	-
CHECKED	-
ENG APPR.	-

SIZE	DRAWING NO.	REV
B	FM20106	01
WGT: 2325.90 LBS	SCALE: 1:24	SHEET 3 OF 3