

PART NUMBER	DESCRIPTION	FLAGSHIP MARINE, INC.				
		REV.	ZONE	DESCRIPTION	DATE	ENG APPROVAL
20117-001	ASSEMBLY, CHILLED WATER, FAN COIL, FM36CWFC-LP-EN, 120V, REAR	01	-	INITIAL CHECK-IN	3/19/2014	-

2. PREFERRED LIMITS AND FITS PER ANSI B4.1 (INCHES).  
 1. DIMENSIONING & TOLERANCING PER ASME Y14.5M.  
 NOTES:

47	80019-002	WELDMNT, DRAIN PAN, CHILLED WATER, FAN COIL, FM36CWFC-LP-EN	1	1	1	1
46	80019-001	WELDMNT, DRAIN PAN, CHILLED WATER, FAN COIL, FM36CWFC-LP-EN	1	1	1	1
45	80018-001	WELDMNT, DRAIN PAN, CHILLED WATER, FAN COIL, FM36CWFC-LP-EN	1	1	1	1
44	70831-001	FABRICATION, PANEL, CHILLED WATER, FAN COIL, FM36CWFC-LP-EN	3	3	3	3
43	70830-001	FABRICATION, COVER, CHILLED WATER, FAN COIL, FM36CWFC-LP-EN	1	1	1	1
42	70829-001	FABRICATION, SUPPORT RAIL, CHILLED WATER, FAN COIL, FM36CWFC-LP-EN	3	3	3	3
41	70828-002	FABRICATION, CORNER, CHILLED WATER, FAN COIL, FM36CWFC-LP-EN	1	1	1	1
40	70828-001	FABRICATION, CORNER, CHILLED WATER, FAN COIL, FM36CWFC-LP-EN	1	1	1	1
39	70827-001	FABRICATION, BIFECTOR, CHILLED WATER, FAN COIL, FM36CWFC-LP-EN	1	1	1	1
38	70825-002	FABRICATION, CORNER, CHILLED WATER, FAN COIL, FM36CWFC-LP-EN	1	1	1	1
37	70825-001	FABRICATION, CORNER, CHILLED WATER, FAN COIL, FM36CWFC-LP-EN	1	1	1	1
36	70133-001	FABRICATION, BRACKET, BLOWER, AIR CONDITIONER, FM18R-LP	1	2	2	2
35	70086-001	FABRICATION, LID, ENCLOSURE, HEATER COIL, AIR CONDITIONER, FM9R	-	2	1	2
34	70085-001	FABRICATION, ENCLOSURE, HEATER COIL, AIR CONDITIONER, FM9R	-	2	1	2
33	672A GP 03	TERMINAL BLOCK, 300 SERIES, KULKA 672A GP SERIES, 600V, 3 POLE	1	1	1	1
32	670A GP 04	TERMINAL BLOCK, 100 SERIES, KULKA 670A GP SERIES, 150V, 4 POLE	1	1	1	1
31	60652-001	SCREW, #8-32 X 1" - #2 DRIVE TRUSS HEAD PHILLIPS, 18-8 SS	12	12	12	12
30	60649-001	SCREW, #8-32 X 3/8" - #2 DRIVE TRUSS HEAD PHILLIPS, 18-8 SS	16	16	16	16
29	60636-001	WASHER, REGULAR FLAT TYPE B, #10 X .203"ID x .562"OD X .04"THK, 410 SS	8	8	8	8
28	60581-001	#8-32 X 5/8" PHMS 18-8 SS	2	2	2	2
27	60572-001	#8-32 X 1 1/4" PHMS 18-8 SS	2	2	2	2
26	60533-001	RIVET, 3/16" DIA. .062-.125" GRIP RANGE, SSB6-2S	54	54	54	54

25	60527-001	#8-18 X 1/2" HWH #3 PT SELF DRILLING SCREW, 410 SS	3	6	6	6
24	60526-001	#8-32 MACHINE SCREW NUT SS	4	4	4	4
23	60521-001	#8-32 X 1/2" PHMS 18-8 SS	2	2	2	2
22	60517-001	#8-32 x 3/8" PHMS 18-8 SS	-	8	8	8
21	60510-001	LABEL, CLEAR OVERLAY	1	1	1	1
20	60506-001	LABEL, DYMO LABEL WRITER DUO, MISC	1	1	1	1
19	60506-001	LABEL, DYMO LABEL WRITER DUO, MISC	1	1	1	1
18	60505-001	LABEL, MADE IN USA	1	1	1	1
17	60504-001	LABEL, CAUTION HIGH VOLTAGE	1	1	1	1
16	60500-001	LABEL, FMI MANUFACTURED BY	1	1	1	1
15	60213-001	EVAPORATOR, 18000LP MBTU, 10HX14W, 3 ROW	1	1	1	1
14	60139-001	GROMMET, SNAP-IN SEALING, 1/2" PIPE, FMS .82"-.91" PIPE DIA.	2	2	2	2
13	60132-001	GROMMET, ALL-FIT ADJUSTABLE, PUSH IN LOCKING, NYLON	2	2	2	2
12	60131-001	GROMMET, 1 1/16" PUSH-IN LOCKING, NYLON	-	2	1	2
11	60062-001	THERMAL LIMIT SWITCH, 130 DEGREE	-	2	1	2
10	60060-001	THERMAL LIMIT SWITCH, 110 DEGREE	-	2	1	2
9	60032-002	HEATER ELEMENT, COIL, 45"L, 8MM, 2000W, 240VAC, DBL END THRD BULKHEAD	-	-	-	2
8	60032-001	HEATER ELEMENT, COIL, 45"L, 8MM, 2000W, 120VAC, DBL END THRD BULKHEAD	-	2	1	-
7	60010-001	BLOWER, PSC, SHADED POLE, 1TDT3, 230V	-	-	2	2
6	60006-001	BLOWER, PSC, SHADED POLE, 1TDT2, 115V	2	2	1	1
5	5520K127	SOLDER-JOINT COPEER TUBE FITTING, REDUCING ADAPTER, 5/8" TUBE, 3/4" NPT	2	2	2	2
4	50045-001	MODIFICATION, EVAPORATOR, 18000LP MBTU, 10HX14W, 3 ROW	1	1	1	1
3	50001-001	DETAIL, COVER, PROTECTIVE, TERMINAL BLOCK, 3 POS	1	1	1	1
2	20017-002	ASSEMBLY, CONTROL BOX, CHILLED WATER, FAN COIL, WITH OPTIONAL HEAT, 9K-36K UNIVERSAL	-	1	-	1
1	20017-001	ASSEMBLY, CONTROL BOX, CHILLED WATER, FAN COIL, 9K-36K UNIVERSAL	1	-	1	-

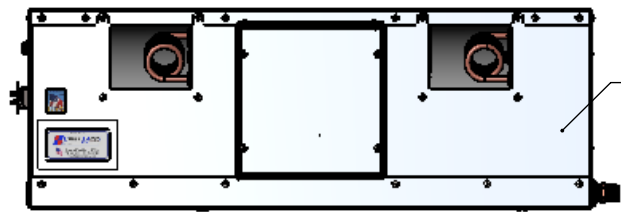
PRELIMINARY - UNRELEASED  
 CHANGES WILL NOT BE RECORDED  
 Wednesday, May 07, 2014

ITEM NO.	PART NUMBER	DESCRIPTION	20117-001/QTY.	20117-011/QTY.	20117-101/QTY.	20117-111/QTY.
----------	-------------	-------------	----------------	----------------	----------------	----------------

ITEM NO.	PART NUMBER	DESCRIPTION	20117-001/QTY.	20117-011/QTY.	20117-101/QTY.	20117-111/QTY.
----------	-------------	-------------	----------------	----------------	----------------	----------------

**FLAGSHIP MARINE, INC. BILL OF MATERIALS**

**FLAGSHIP MARINE, INC. BILL OF MATERIALS**



SEE SHEET 2 OF 4 FOR DIMENSIONS

**Flagship Marine**  
 FLAGSHIP MARINE, INC.  
 2427 SE DIXIE HIGHWAY  
 STUART | FLORIDA | 34996 | USA  
 (772) 283-1609 | (800) 316-6426  
 FAX (772) 283-4611

**PROPRIETARY AND CONFIDENTIAL**  
 THIS DOCUMENT CONTAINS INFORMATION PROPRIETARY TO FLAGSHIP MARINE, INC. NO PART MAY BE REPRODUCED, USED IN ANY FORM, OR STORED ELECTRONICALLY WITHOUT THE WRITTEN PERMISSION OF FLAGSHIP MARINE, INC.

UNLESS OTHERWISE SPECIFIED:	NAME	DATE
DIMENSIONS ARE IN INCHES	SWC	3/19/2014
TOLERANCES:	TCM	-
FRACTIONS ± 1/32	TCM	-
ANG: MACH ± 0°30' BEND ± 2°	TCM	-
DECIMALS .XX ± .01	TCM	-
.XXX ± .005	TCM	-
HOLE Ø .XX ± .005	TCM	-
INTERPRET GEOMETRIC TOLERANCING PER: ASME Y14.5M	EAS	-
MATERIAL	PERP	∟ .003/IN
FINISH	STRAIGHTNESS	— .005/IN
NEXT ASSY	FLATNESS	≡ .005/IN
USED ON	THREADS:	EXTERNAL - CLASS 2A
APPLICATION	INTERNAL - CLASS 2B	63/ U.O.S
DO NOT SCALE DRAWING	MACHINED SURFACES:	✓ U.O.S

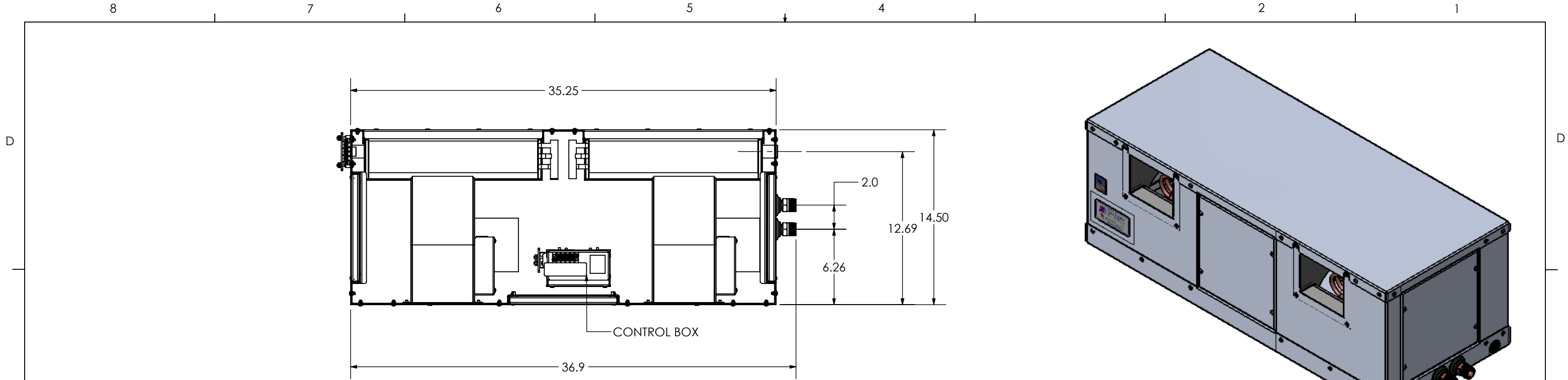
TITLE: ASSEMBLY, CHILLED WATER, FAN COIL, FM36CWFC-LP-EN, REAR

PART NO. 20117-XX1

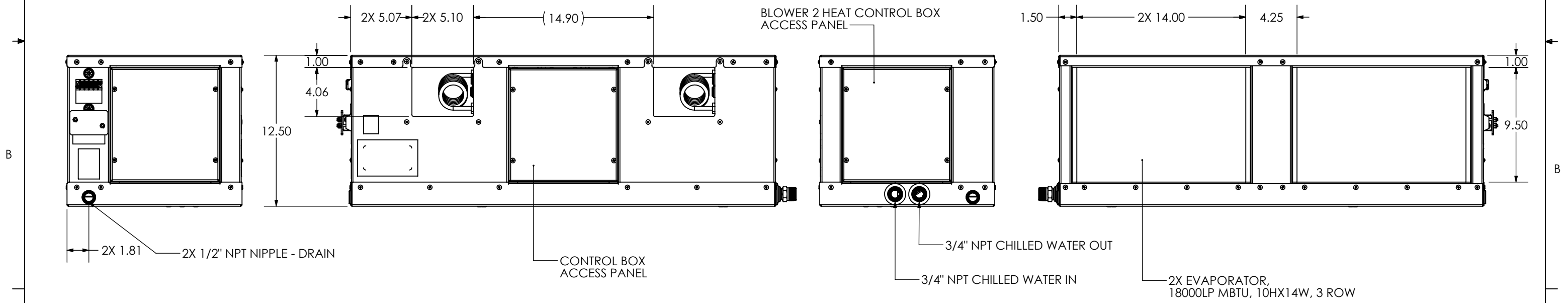
SIZE DWG. NO. REV  
**B** FM20117 **01**

OLD PART NO. -


SCALE: 1:12 | WGT: 102.64 LBS | SHEET 1 OF 4



SHOWN WITH COVER REMOVED FOR CLAIRITY



2. PREFERRED LIMITS AND FITS PER ANSI B4.1 (INCHES).  
 1. DIMENSIONING & TOLERANCING PER ASME Y14.5M.  
 NOTES:

 2427 SE DIXIE HIGHWAY   STUART   FLORIDA   34996   USA (772) 283-1609   (800) 316-6426 FAX (772) 283-4611	DRAWN -	SIZE B	DRAWING NO. FM20117	REV 01
	CHECKED -	WGT: 102.64 LBS	SCALE: 1:8	SHEET 2 OF 4
	ENG APPR. -			

PART NUMBER	DESCRIPTION
20117-002	ASSEMBLY, CHILLED WATER, FAN COIL, FM36CWFC-LP-EN, 120V, BASE
20117-012	ASSEMBLY, CHILLED WATER, FAN COIL, FM36CWFC-LP-EN, 120V, BASE, WITH OPTIONAL HEAT
20117-102	ASSEMBLY, CHILLED WATER, FAN COIL, FM36CWFC-LP-EN, 230V, BASE
20117-112	ASSEMBLY, CHILLED WATER, FAN COIL, FM36CWFC-LP-EN, 230V, BASE, WITH OPTIONAL HEAT

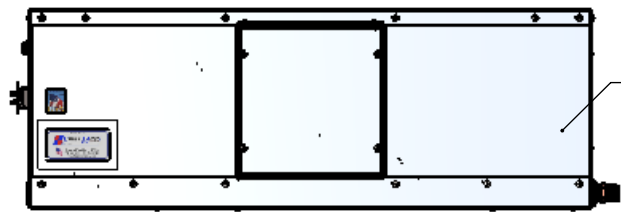
2. PREFERRED LIMITS AND FITS PER ANSI B4.1 (INCHES).  
1. DIMENSIONING & TOLERANCING PER ASME Y14.5M.  
NOTES:

45	80019-002	WELDMENT, DRAIN PAN, CHILLED WATER, FAN COIL, FM36CWFC-LP-EN	1	1	1	1	23	60521-001	#8-32 X 1/2" PHMS 18-8 SS	2	2	2	2
44	80019-001	WELDMENT, DRAIN PAN, CHILLED WATER, FAN COIL, FM36CWFC-LP-EN	1	1	1	1	22	60517-001	#8-32 x 3/8" PHMS 18-8 SS	4	8	-	8
43	80018-011	WELDMENT, DRAIN PAN, CHILLED WATER, FAN COIL, FM36CWFC-LP-EN	1	1	1	1	21	60510-001	LABEL, CLEAR OVERLAY	1	1	1	1
42	70831-001	FABRICATION, PANEL, CHILLED WATER, FAN COIL, FM36CWFC-LP-EN	3	3	3	3	20	60506-001	LABEL, DYMO LABEL WRITER DUO, MISC	1	1	1	1
41	70830-011	FABRICATION, COVER, CHILLED WATER, FAN COIL, FM36CWFC-LP-EN	1	1	1	1	19	60506-001	LABEL, DYMO LABEL WRITER DUO, MISC	1	1	1	1
40	70829-001	FABRICATION, SUPPORT RAIL, CHILLED WATER, FAN COIL, FM36CWFC-LP-EN	3	3	3	3	18	60505-001	LABEL, MADE IN USA	1	1	1	1
39	70828-012	FABRICATION, CORNER, CHILLED WATER, FAN COIL, FM36CWFC-LP-EN	1	1	1	1	17	60504-001	LABEL, CAUTION HIGH VOLTAGE	1	1	1	1
38	70828-011	FABRICATION, CORNER, CHILLED WATER, FAN COIL, FM36CWFC-LP-EN	1	1	1	1	16	60500-001	LABEL, FMI MANUFACTURED BY	1	1	1	1
37	70827-001	FABRICATION, BIFECTOR, CHILLED WATER, FAN COIL, FM36CWFC-LP-EN	1	1	1	1	15	60213-001	EVAPORATOR, 18000LP MBTU, 10HX14W, 3 ROW	1	1	1	1
36	70825-002	FABRICATION, CORNER, CHILLED WATER, FAN COIL, FM36CWFC-LP-EN	1	1	1	1	14	60139-001	GROMMET, SNAP-IN SEALING, 1/2" PIPE, FITS .82"-.91" PIPE DIA.	2	2	2	2
35	70825-001	FABRICATION, CORNER, CHILLED WATER, FAN COIL, FM36CWFC-LP-EN	1	1	1	1	13	60132-001	GROMMET, ALL-FIT ADJUSTABLE, PUSH IN LOCKING, NYLON	2	2	2	2
34	70086-001	FABRICATION, LID, ENCLOSURE, HEATER COIL, AIR CONDITIONER, FM9R	1	2	-	2	12	60131-001	GROMMET, 11/16" PUSH-IN LOCKING, NYLON	1	2	-	2
33	70085-001	FABRICATION, ENCLOSURE, HEATER COIL, AIR CONDITIONER, FM9R	1	2	-	2	11	60062-001	THERMAL LIMIT SWITCH, 130 DEGREE	1	2	-	2
32	672A GP 03	TERMINAL BLOCK, 300 SERIES, KULKA 672A GP SERIES, 600V, 3 POLE	1	1	1	1	10	60060-001	THERMAL LIMIT SWITCH, 110 DEGREE	1	2	-	2
31	670A GP 04	TERMINAL BLOCK, 100 SERIES, KULKA 670A GP SERIES, 150V, 4 POLE	1	1	1	1	9	60032-002	HEATER ELEMENT, COIL, 45"L, 8MM, 2000W, 240VAC, DBL END THRD BULKHEAD	-	-	-	2
30	60652-001	SCREW, #8-32 X 1" - #2 DRIVE TRUSS HEAD PHILLIPS, 18-8 SS	12	12	12	12	8	60032-001	HEATER ELEMENT, COIL, 45"L, 8MM, 2000W, 120VAC, DBL END THRD BULKHEAD	1	2	-	-
29	60649-001	SCREW, #8-32 X 3/8" - #2 DRIVE TRUSS HEAD PHILLIPS, 18-8 SS	16	16	16	16	7	60010-001	BLOWER, PSC, SHADED POLE, 1TDT3, 230V	1	1	2	2
28	60636-001	WASHER, REGULAR FLAT TYPE B, #10 X .203"ID X .562"OD X .04"THK, 410 SS	8	8	8	8	6	60006-001	BLOWER, PSC, SHADED POLE, 1TDT2, 115V	2	2	-	-
27	60581-001	#8-32 X 5/8" PHMS 18-8 SS	2	2	2	2	5	5520K127	SOLDER-JOINT COPEER TUBE FITTING, REDUCING ADAPTER, 5/8" TUBE, 3/4" NPT MODIFICATION, EVAPORATOR, 18000LP MBTU, 10HX14W, 3 ROW	2	2	2	2
26	60572-001	#8-32 X 1 1/4" PHMS 18-8 SS	2	2	2	2	4	50045-001	DETAIL, COVER, PROTECTIVE, TERMINAL BLOCK, 3 POS	1	1	1	1
25	60533-001	RIVET, 3/16" DIA. .062-.125" GRIP RANGE, SSB6-2S	48	48	48	48	3	50001-001	ASSEMBLY, CONTROL BOX, CHILLED WATER, FAN COIL, WITH OPTIONAL HEAT, 9K-36K UNIVERSAL	-	1	-	1
24	60526-001	#8-32 MACHINE SCREW NUT SS	4	4	4	4	2	20017-002	ASSEMBLY, CONTROL BOX, CHILLED WATER, FAN COIL, 9K-36K UNIVERSAL	1	-	1	-

ITEM NO.	PART NUMBER	DESCRIPTION	20117-002/QTY.	20117-012/QTY.	20117-102/QTY.	20117-112/QTY.	ITEM NO.	PART NUMBER	DESCRIPTION	20117-002/QTY.	20117-012/QTY.	20117-102/QTY.	20117-112/QTY.
----------	-------------	-------------	----------------	----------------	----------------	----------------	----------	-------------	-------------	----------------	----------------	----------------	----------------

**FLAGSHIP MARINE, INC. BILL OF MATERIALS**

**FLAGSHIP MARINE, INC. BILL OF MATERIALS**



SEE SHEET 4 OF 4 FOR DIMENSIONS

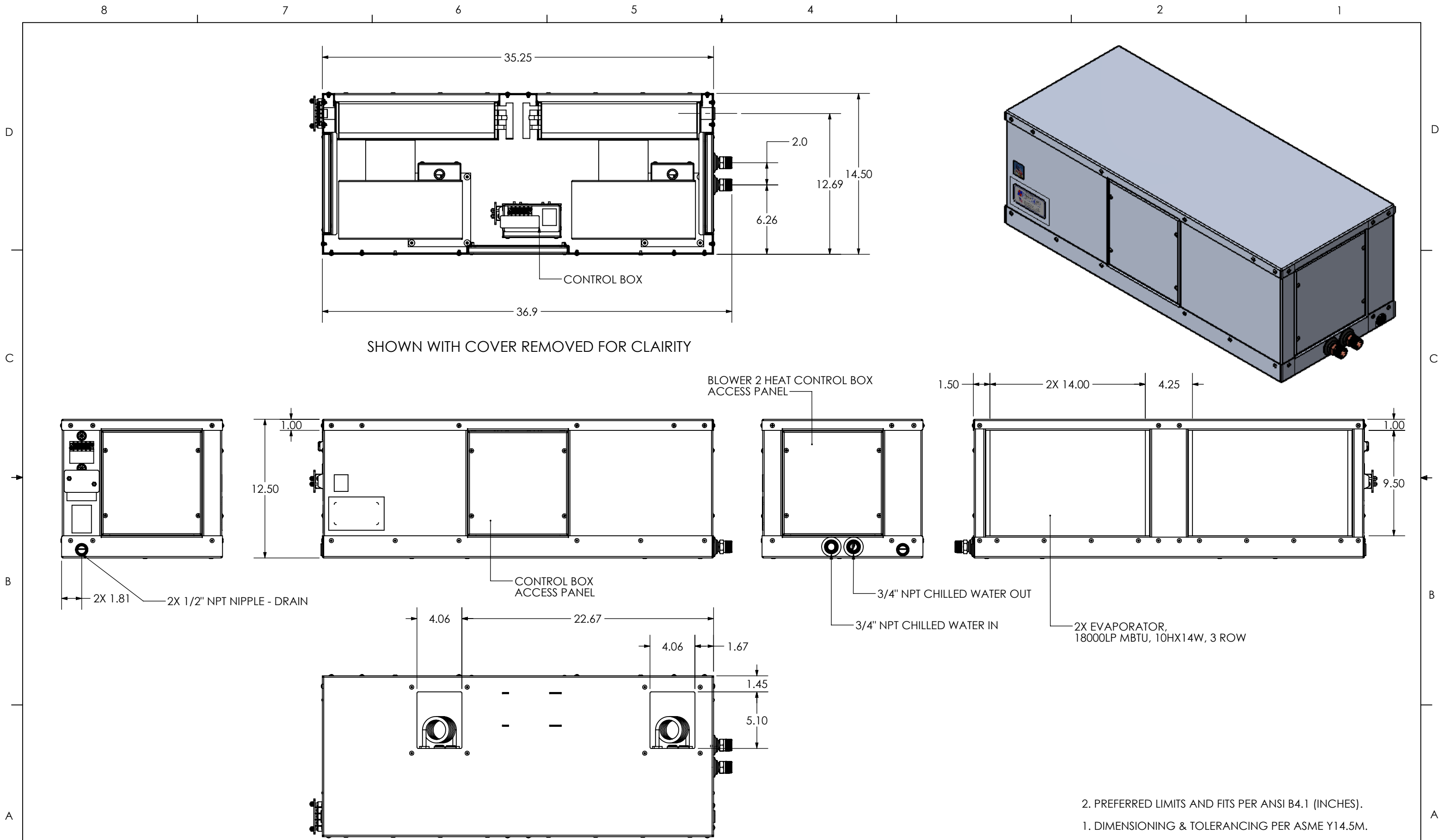
**Flagship Marine**  
**FLAGSHIP MARINE, INC.**  
2427 SE DIXIE HIGHWAY  
STUART | FLORIDA | 34996 | USA  
(772) 283-1609 | (800) 316-6426  
FAX (772) 283-4611

**PROPRIETARY AND CONFIDENTIAL**

THIS DOCUMENT CONTAINS INFORMATION PROPRIETARY TO FLAGSHIP MARINE, INC. NO PART MAY BE REPRODUCED, USED IN ANY FORM, OR STORED ELECTRONICALLY WITHOUT THE WRITTEN PERMISSION OF FLAGSHIP MARINE, INC.

UNLESS OTHERWISE SPECIFIED:				
DIMENSIONS ARE IN INCHES				
TOLERANCES:				
FRACTIONS ± 1/32				
ANG: MACH ± 0°30' BEND ± 2°				
DECIMALS .XX ± .01				
.XXX ± .005				
HOLE Ø .XX ± .005				
INTERPRET GEOMETRIC TOLERANCING PER: ASME Y14.5M				
MATERIAL				
FINISH				
NEXT ASSY		USED ON		
APPLICATION			DO NOT SCALE DRAWING	

NAME	DATE	TITLE:	ASSEMBLY, CHILLED WATER, FAN COIL, FM36CWFC-LP-EN, BASE
DRAWN	SWC	3/19/2014	
CHECKED	TCM		
ENG APPR.	TCM		
MFG APPR.	TCM		
Q.A.	EAS		
PERP STRAIGHTNESS	∓	.003/IN	
FLATNESS	∓	.005/IN	
THREADS:			
EXTERNAL - CLASS 2A			
INTERNAL - CLASS 2B			
MACHINED SURFACES:	√	U.O.S	
SIZE	DWG. NO.	REV	
<b>B</b>	<b>FM20117</b>	<b>01</b>	
OLD PART NO.	-		
SCALE: 1:12	WGT: 101.39 LBS	SHEET 3 OF 4	



**Flagship Marine**  
 Commercial Quality Factory Direct Prices  
 2427 SE DIXIE HIGHWAY | STUART | FLORIDA | 34996 | USA  
 (772) 283-1609 | (800) 316-6426 FAX (772) 283-4611

DRAWN -	SIZE B	DRAWING NO. FM20117	REV 01
CHECKED -	WGT: 101.39 LBS	SCALE: 1:8	SHEET 4 OF 4
ENG APPR. -			