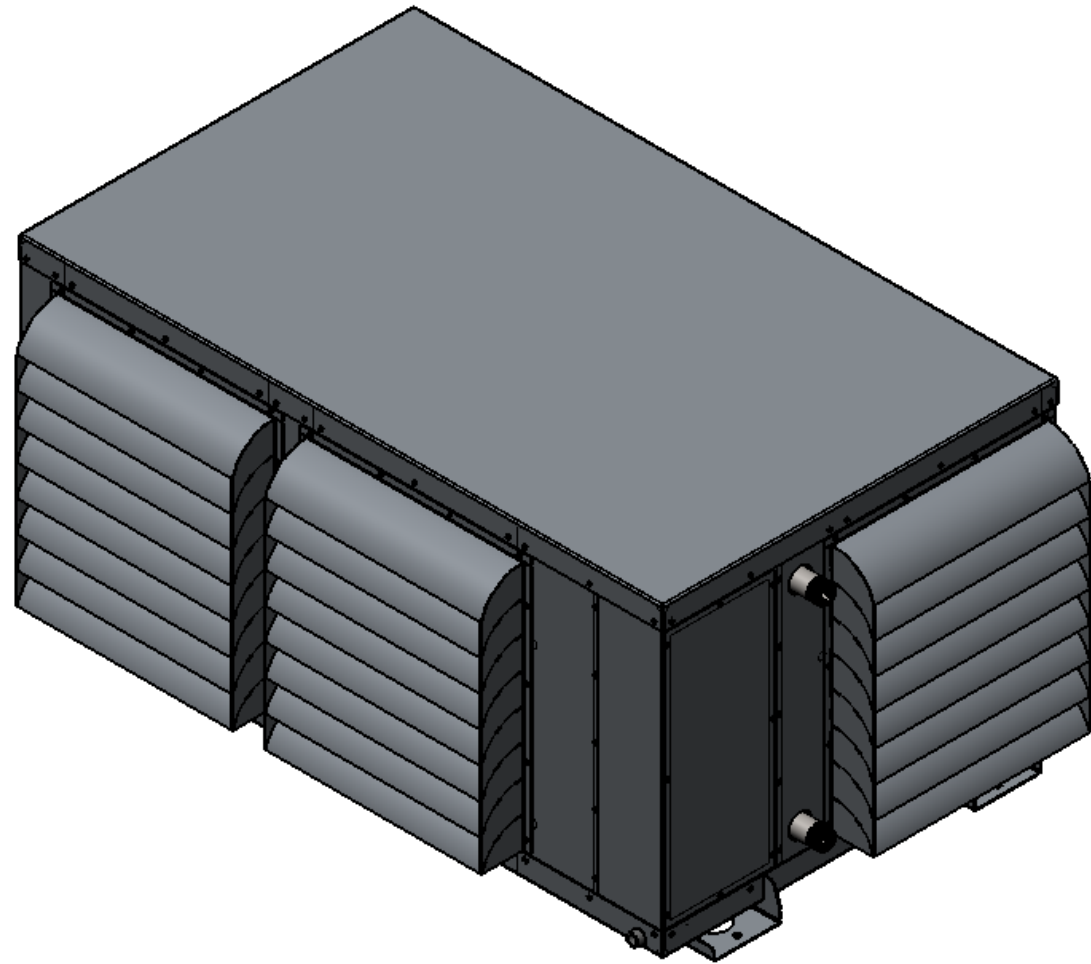


PART NUMBER		DESCRIPTION		FLAGSHIP MARINE, INC.				
20203-001		ASSEMBLY, AIR COOLED, CHILLER, FM120CWAC-H, 240V		REV.	ZONE	DESCRIPTION	DATE	ENG APPROVAL
				01	-	INITIAL CHECK-IN	6/27/2012	-



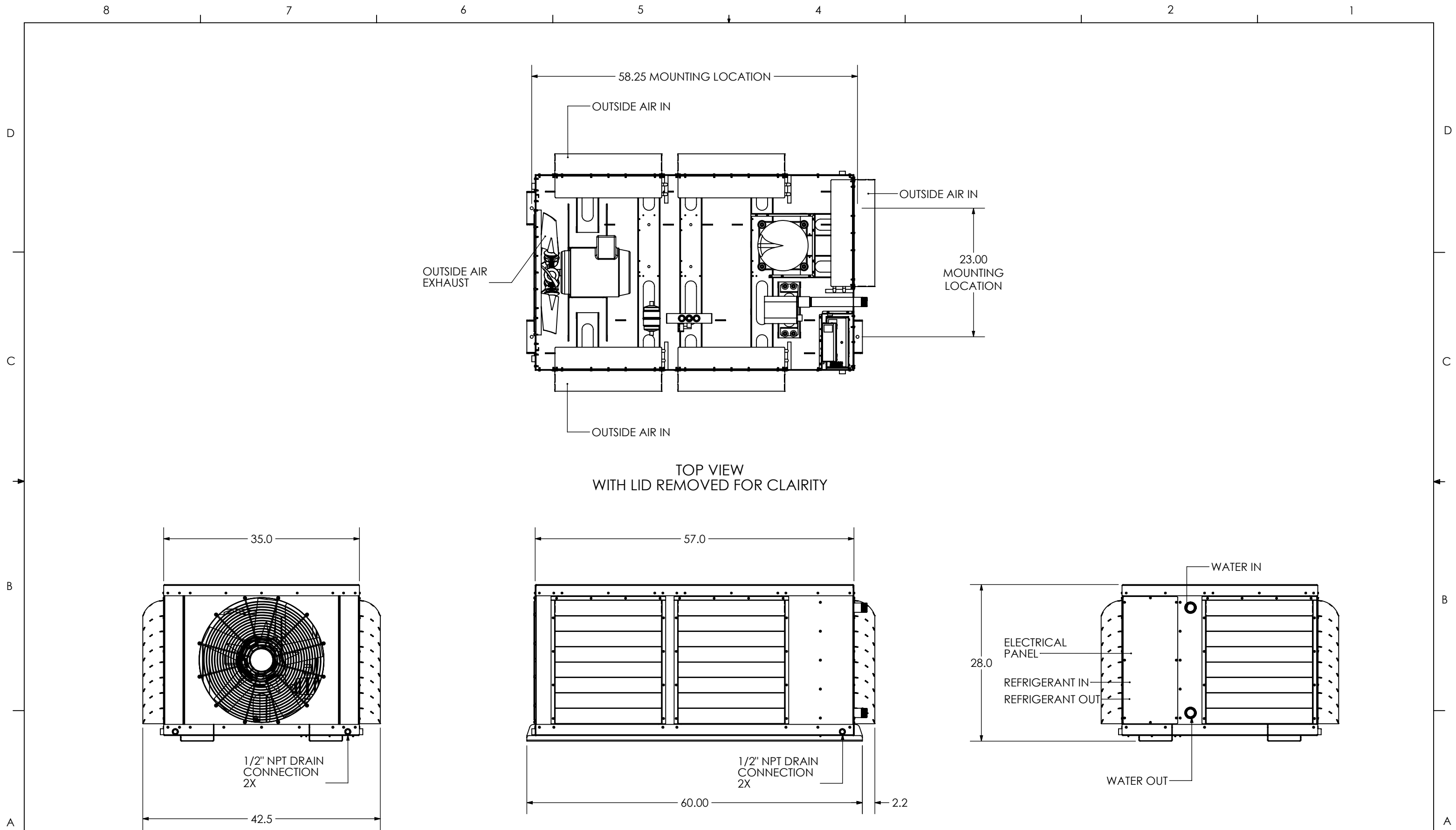
35	70805-001	FABRICATION, PANEL, FIXED, AIR COOLED, CHILLER, FM120-HCWAC	2
34	FM60206	EVAPORATOR, CHILLED WATER, FM120CW	1
33	60272-001	COMPRESSOR, SCROLL, 1PH, 60 Hz, 208V	1
32	60074-001	FAN, 5855CFM, 0.57inH2O, 1.18HP, 22/5-10/P3HR/40/PA/0.875/0.187/BR/JA	1
31	60305-001	MOTOR, 3HP, 1760RPM, 3PH, 60HZ, 182T, 3631M, TEFC, F1	1
30	70801-001	FABRICATION, LID, AIR COOLED, CHILLER, FM120-H/240/360CWAC	1
29	80190-001	WELDMENT, BASE, AIR COOLED, CHILLER, FM120CWAC-H	1
28	V6-414080-170	REVERSING VALVE LESS COIL, V6-414080-170, RANCO	1
27	HPC-104-S	FILTER DRIER, REVERSIBLE, LIQUID LINE, TYPE HPC-104-S, CATCH-ALL	1
26	8C375MXPS	#8-32 x 3/8" PHMS 18-8 SS	12
25	70785-002	FABRICATION, PANEL, CORNER, INTAKE, AIR COOLED, CHILLER, FM60CWAC	1
24	70785-001	FABRICATION, PANEL, CORNER, INTAKE, AIR COOLED, CHILLER, FM60CWAC	1
23	70786-001	FABRICATION, PANEL, BIVECTOR, AIR COOLED, CHILLER, FM60CWAC	1
22	60156-001	GRILL, 3/8" WIRE SPACE, 4" CNTR PLATE, 11ga (.120) SPIRAL, (8).187 SPOKES 304SS, MT HOLES #8	1
21	80065-001	WELDMENT, PANEL, LOUVER, SELF CONTAINED, AIR COOLED, UNIVERSAL	5
20	4830K129		2
19	20016-011	ASSEMBLY, CONTROL BOX, SELF CONTAINED, A/C, SINGLE PHASE, WITH OPTIONAL HEAT, 48K-120K UNIVERSAL	1
18	70787-001	FABRICATION, PANEL, ACCESS, AIR COOLED, CHILLER, FM60/120-V/180CWAC	1
17	70788-001	FABRICATION, PANEL, CLOSEOUT, AIR COOLED, CHILLER, FM60CWAC	5
16	70627-002	FABRICATION, BRACKET, EVAPORATOR, SELF CONTAINED, AIR COOLED, CHILLER UNIT, FM60CWAC	1
15	70784-002	FABRICATION, PANEL, CORNER, EXHAUST, AIR COOLED, CHILLER, FM60CWAC	1
14	70784-001	FABRICATION, PANEL, CORNER, EXHAUST, AIR COOLED, CHILLER, FM60CWAC	1
13	60533-001	RIVET, 3/16" DIA. .062-.125" GRIP RANGE, SSB6-2S	56
12	60131-001	GROMMET, 11/16" PUSH-IN LOCKING, NYLON	8
11	70789-001	FABRICATION, PANEL, CORNER, ELECTRICAL CLOSEOUT, AIR COOLED, CHILLER, FM60/120-V/180CWAC	1
10	60071-001	STANDOFF, .385 ID X 1.406 OD X 1.00 THK, 70 DURO EPDM BLACK	4
9	60070-001	WASHER, .385 ID X 1.406 OD X .25 THK, 60 DURO EPDM BLACK	4
8	60216-001	EVAPORATOR, 36000 MBTU, 17.50HX18.13W, 4 ROW	5
7	4464K66	1 1/4" NPT COUPLING, 304 SS	2
6	37NWLOS	3/8 LOCK WASHER SS	8
5	37N125WFES	3/8 X 1-1/4 FENDER WASHER SS	8
4	37CNFHS	3/8 HEX FINISH NUT SS	8
3	80160-001	WELDMENT, SHROUD PANEL, FAN, AIR COOLED, CHILLER, FM60CWAC	1
2	20014-001	ASSEMBLY, ENCLOSURE, LOW VOLTAGE, CHILLERS	1
1	1131943	#8-18 X 1/2" HWH #3 PT SELF DRILLING SCREW, 410 SS	174

ITEM NO.	PART NUMBER	DESCRIPTION	20203-001/QTY.
----------	-------------	-------------	----------------

**FLAGSHIP MARINE, INC. BILL OF MATERIALS**

<p><b>FLAGSHIP MARINE, INC.</b> 2427 SE DIXIE HIGHWAY STUART   FLORIDA   34996   USA (772) 283-1609   (800) 316-6426 FAX (772) 283-4611</p> <p><b>PROPRIETARY AND CONFIDENTIAL</b></p> <p>THIS DOCUMENT CONTAINS INFORMATION PROPRIETARY TO FLAGSHIP MARINE, INC. NO PART MAY BE REPRODUCED, USED IN ANY FORM, OR STORED ELECTRONICALLY WITHOUT THE WRITTEN PERMISSION OF FLAGSHIP MARINE, INC.</p>	-	-	UNLESS OTHERWISE SPECIFIED:		NAME	DATE	<p>TITLE: ASSEMBLY, AIR COOLED, CHILLER, FM120CWAC-H, 240V</p> <p>PART NO. 20203-001</p> <p>SIZE DWG. NO. REV <b>B</b> FM20203 <b>01</b></p> <p>OLD PART NO. -</p> <p>SCALE: 1:16   WGT: 1299.13 LB\$ SHEET 1 OF 2</p>
	-	-	DIMENSIONS ARE IN INCHES	DRAWN	SWC	10/16/2009	
	-	-	TOLERANCES:	CHECKED	TCM	-	
	-	-	FRACTIONS ± 1/32	ENG APPR.	TCM	-	
	-	-	ANG: MACH ± 0°30' BEND ± 2°	MFG APPR.	TCM	-	
-	-	DECIMALS .XX ± .01	Q.A.	EAS	-		
-	-	.XXX ± .005	PERP STRAIGHTNESS	∓	.003/IN		
-	-	HOLE Ø .XX ± .005	FLATNESS	∓	.005/IN		
-	-	INTERPRET GEOMETRIC TOLERANCING PER: ASME Y14.5M	THREADS:				
-	-	MATERIAL	EXTERNAL - CLASS 2A				
-	-	FINISH	INTERNAL - CLASS 2B				
NEXT ASSY	USED ON		MACHINED SURFACES: ✓ U.O.S				
APPLICATION		DO NOT SCALE DRAWING					

2. PREFERRED LIMITS AND FITS PER ANSI B4.1 (INCHES).  
1. DIMENSIONING & TOLERANCING PER ASME Y14.5M.  
NOTES:



**Flagship Marine**  
Commercial Quality Factory Direct Prices

2427 SE DIXIE HIGHWAY | STUART | FLORIDA | 34996 | USA  
(772) 283-1609 | (800) 316-6426 FAX (772) 283-4611

DRAWN -	SIZE B	DRAWING NO. FM20203	REV 01
CHECKED -	WGT: 1299.13 LBS	SCALE: 1:16	SHEET 2 OF 2
ENG APPR. -			