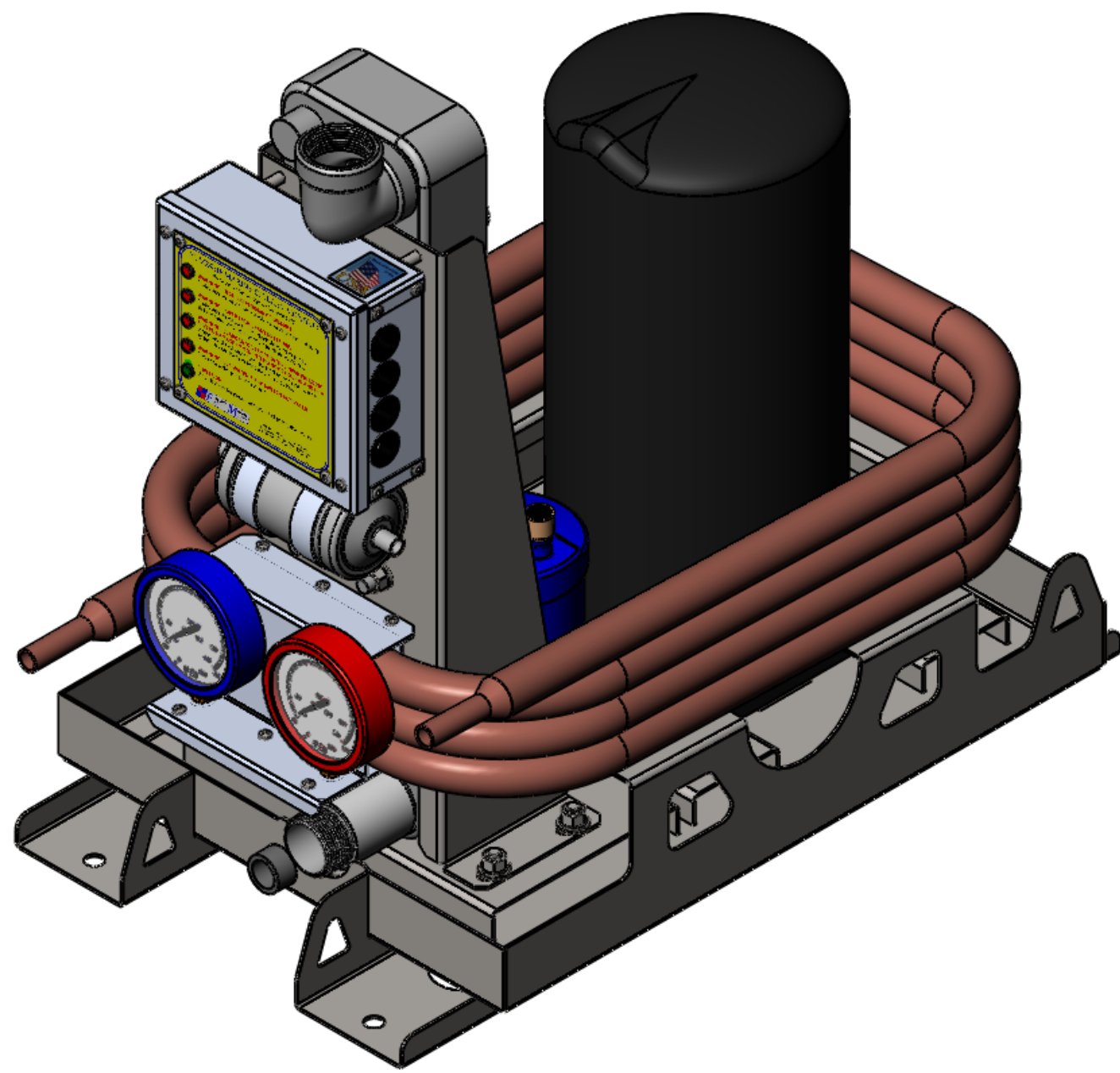


FLAGSHIP MARINE, INC.				
REV.	ZONE	DESCRIPTION	DATE	ENG APPROVAL
01	-	INITIAL CHECK-IN	7/20/2011	-

2. PREFERRED LIMITS AND FITS PER ANSI B4.1 (INCHES).  
 1. DIMENSIONING & TOLERANCING PER ASME Y14.5M.  
 NOTES:



ITEM NO.	PART NUMBER	DESCRIPTION	20062-001/QTY.
26	ZR32K5-PFV-800	COMPRESSOR, 1PH, 60 Hz, 208-230V	1
25	V6-414080-170	REVERSING VALVE LESS COIL, V6-414080-170, RANCO	1
24	LLD163S	FILTER DRIER, LIQUID LINE, TYPE LLD163S, SUPCO	1
23	FM60204	EVAPORATOR, CHILLED WATER, FM24CW & FM36CW	1
22	FM60051-001	SUCTION ACCUMULATOR, CHILLED WATER, FM36CW	1
21	8NWLOS	8-32 LOCK WASHER SS	4
20	8CNMES	8-32 MACHINE SCREW NUT SS	4
19	80264-001	WELDMENT, BASE, CHILLER, FM60CW	1
18	72396	#8-32 x 3/8" PHMS 18-8 SS	10
17	70657-001	FABRICATION, STRAP, FILTER DRIER, CHILLER, FM360CW	2
16	70654-001	FABRICATION, BRACKET, EVAPORATOR, CHILLER, FM60CW	1
15	70646-001	FABRICATION, BRACKET, LIQUID GAUGE & FILTER DRYER, CHILLER, FM36CW	1
14	70645-001	FABRICATION, PANEL, LIQUID GAUGE & FILTER DRYER, CHILLER, FM36CW	1
13	60071-001	STANDOFF, .385 ID X 1.406 OD X 1.00 THK, 70 DURO EPDM BLACK	4
12	60070-001	WASHER, .385 ID X 1.406 OD X .25 THK, 60 DURO EPDM BLACK	4
11	60045-002	PRESSURE GAUGE, LOW SIDE, BLUE, YELLOW JACKET 49002	1
10	60045-001	PRESSURE GAUGE, HIGH SIDE, RED, YELLOW JACKET49001	1
9	50016-001	FABRICATION, TUBING, CHILLER, FM60CW	1
8	4830K241	1 1/4" NPT FULLY THREADED NIPPLE, 304 SS	1
7	4464K66	1 1/4" NPT COUPLING, 304 SS	1
6	4464K17	1 1/4" NPT 90 DEG ELBOW, 304 SS	1
5	37NWLOS	3/8 LOCK WASHER SS	12
4	37N125WFES	3/8 X 1-1/4 FENDER WASHER SS	4
3	37N125WFES	3/8 X 1-1/4 FENDER WASHER SS	4
2	37CNFHS	3/8 HEX FINISH NUT SS	12
1	20014-001	ASSEMBLY, ENCLOSURE, LOW VOLTAGE, CHILLERS	1

**FLAGSHIP MARINE, INC. BILL OF MATERIALS**

**Flagship Marine**  
 Components  
 Quality Direct  
 Service

**FLAGSHIP MARINE, INC.**  
 2427 SE DIXIE HIGHWAY  
 STUART | FLORIDA | 34996 | USA  
 (772) 283-1609 | (800) 316-6426  
 FAX (772) 283-4611

**PROPRIETARY AND CONFIDENTIAL**

THIS DOCUMENT CONTAINS INFORMATION PROPRIETARY TO FLAGSHIP MARINE, INC. NO PART MAY BE REPRODUCED, USED IN ANY FORM, OR STORED ELECTRONICALLY WITHOUT THE WRITTEN PERMISSION OF FLAGSHIP MARINE, INC.

UNLESS OTHERWISE SPECIFIED:		NAME	DATE
DIMENSIONS ARE IN INCHES		DRAWN	SWC 2/4/2011
TOLERANCES:		CHECKED	TCM -
FRACTIONS ± 1/32		ENG APPR.	TCM -
ANG: MACH ± 0°30' BEND ± 2°		MFG APPR.	TCM -
DECIMALS .XX ± .01		Q.A.	EAS -
.XXX ± .005		PERP STRAIGHTNESS ± .003/IN	
HOLE Ø .XX ± .005		FLATNESS ± .005/IN	
INTERPRET GEOMETRIC TOLERANCING PER: ASME Y14.5M		THREADS:	
MATERIAL		EXTERNAL - CLASS 2A	
FINISH		INTERNAL - CLASS 2B	
NEXT ASSY		MACHINED SURFACES: ✓ U.O.S	
USED ON			
APPLICATION		DO NOT SCALE DRAWING	

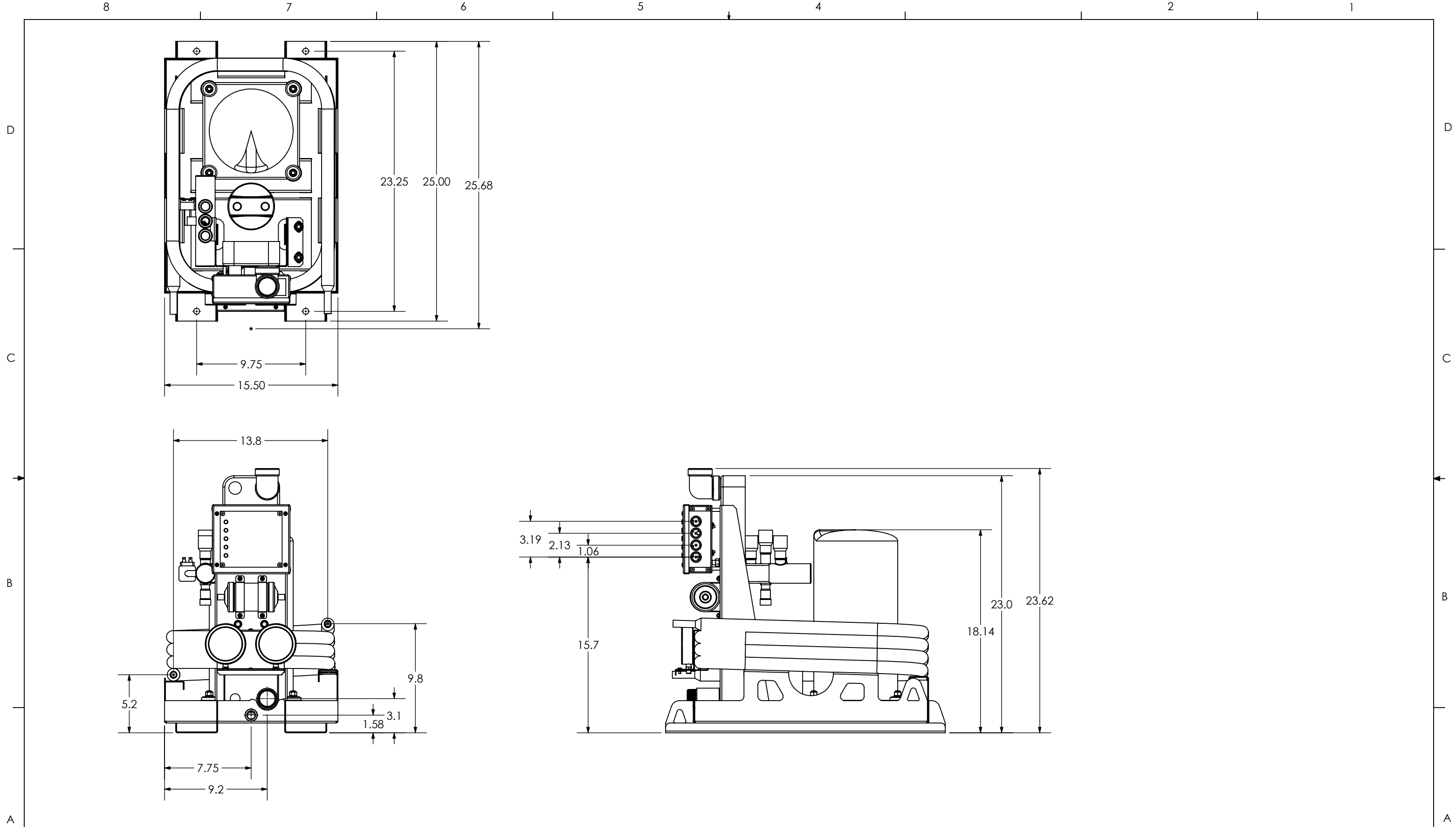
TITLE: ASSEMBLY, CHILLER, FM36CW, 25L X 15.50W X 23H

PART NO. 20062-001

SIZE DWG. NO. REV  
**B** FM20062 **01**

OLD PART NO. -

SCALE: 1:4 WGT: 248.92 LBS SHEET 1 OF 2



**Flagship Marine**  
 Commercial Quality Factory Direct Prices  
 2427 SE DIXIE HIGHWAY | STUART | FLORIDA | 34996 | USA  
 (772) 283-1609 | (800) 316-6426 FAX (772) 283-4611

DRAWN -  
 CHECKED -  
 ENG APPR. -

SIZE B  
 WGT: 248.92 LBS

DRAWING NO. **FM20062**  
 SCALE: 1:8

REV **01**  
 SHEET 2 OF 2