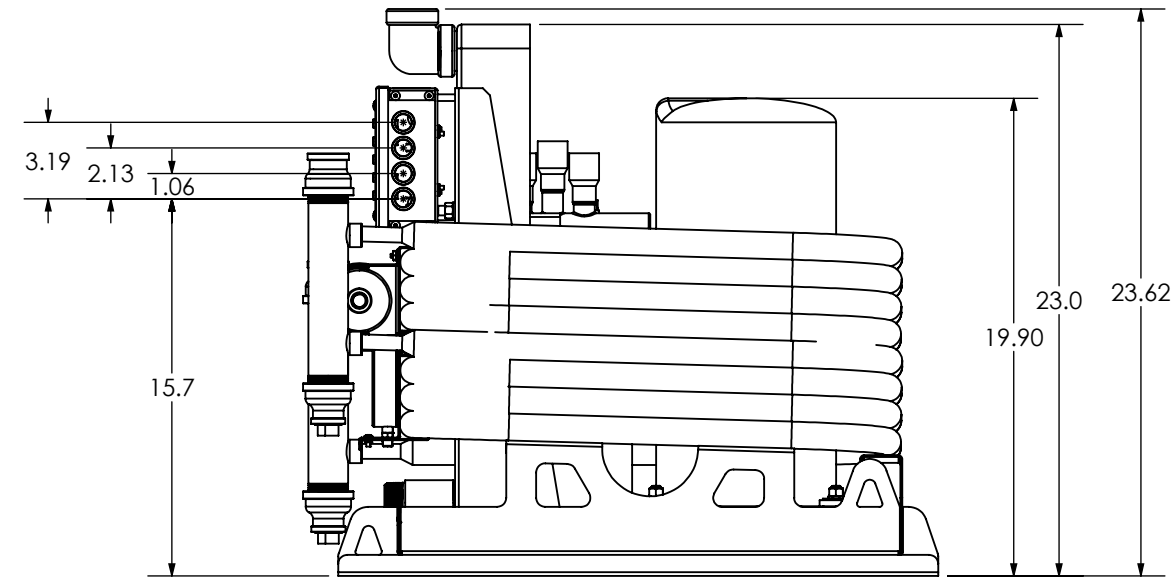
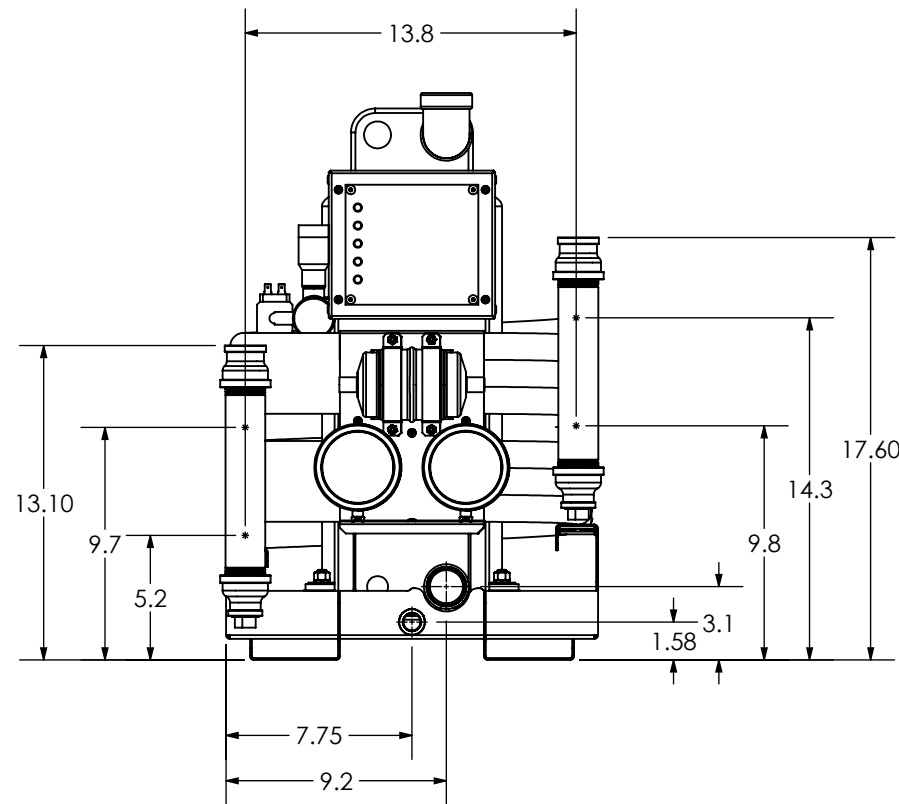
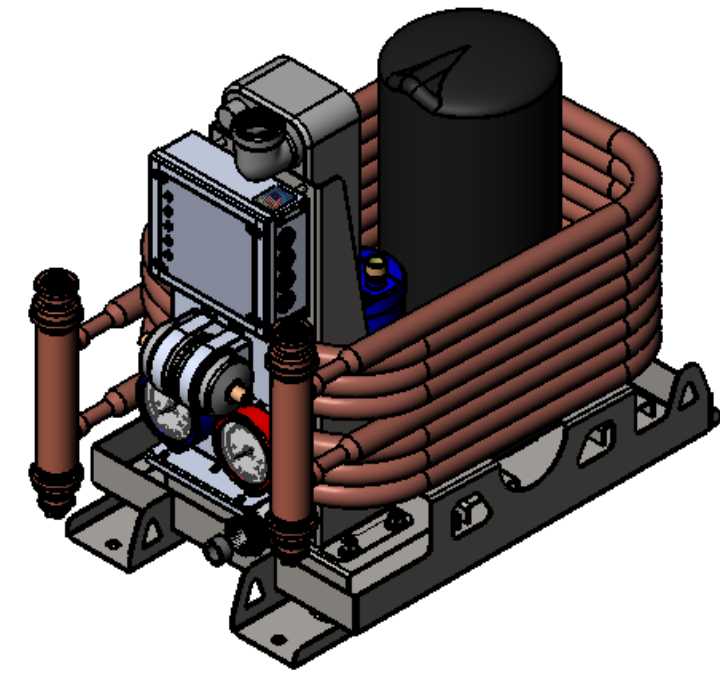
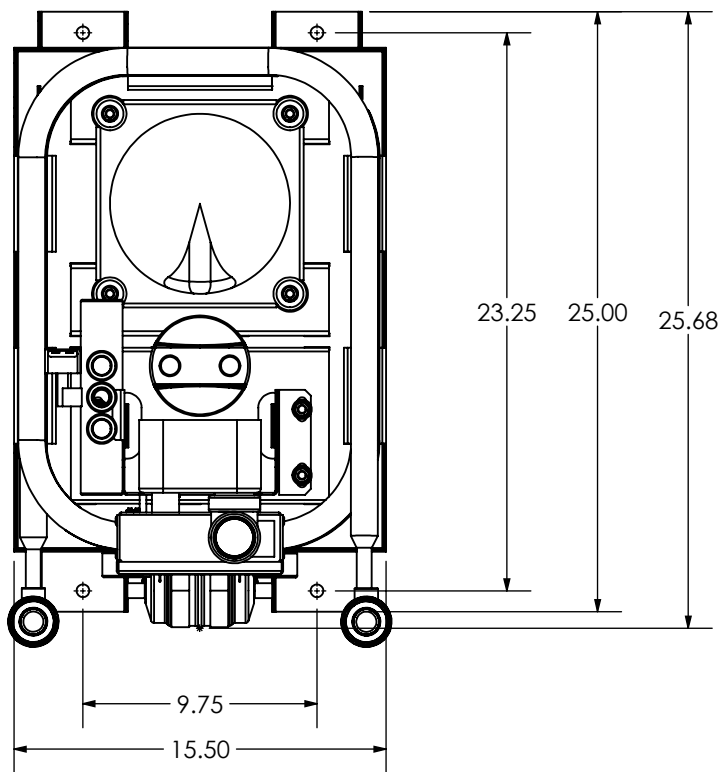


FLAGSHIP MARINE, INC.				
REV.	ZONE	DESCRIPTION	DATE	ENG APPROVAL



2. PREFERRED LIMITS AND FITS PER ANSI B4.1 (INCHES).
 1. DIMENSIONING & TOLERANCING PER ASME Y14.5M.

NOTES:

Flagship Marine
 Components Division

FLAGSHIP MARINE, INC.
 2427 SE DIXIE HIGHWAY
 STUART | FLORIDA | 34996 | USA
 (772) 283-1609 | (800) 316-6426
 FAX (772) 283-4611

PROPRIETARY AND CONFIDENTIAL

THIS DOCUMENT CONTAINS INFORMATION PROPRIETARY TO FLAGSHIP MARINE, INC. NO PART MAY BE REPRODUCED, USED IN ANY FORM, OR STORED ELECTRONICALLY WITHOUT THE WRITTEN PERMISSION OF FLAGSHIP MARINE, INC.

		UNLESS OTHERWISE SPECIFIED:		NAME	DATE
		DIMENSIONS ARE IN INCHES	DRAWN	SWC	2/4/2011
		TOLERANCES:	CHECKED	TCM	-
		FRACTIONS ± 1/32	ENG APPR.	TCM	-
		ANG: MACH ± 0°30' BEND ± 2°	MFG APPR.	TCM	-
		DECIMALS .XX ± .01	Q.A.	EAS	-
		.XXX ± .005			
		HOLE Ø .XX ± .005			
		INTERPRET GEOMETRIC TOLERANCING PER: ASME Y14.5M			
		MATERIAL	PERP	∓	.003/IN
		FINISH	STRAIGHTNESS	∓	.005/IN
			FLATNESS	∓	.005/IN
			THREADS:		
			EXTERNAL - CLASS 2A		
			INTERNAL - CLASS 2B		
			MACHINED SURFACES: √		U.O.S
NEXT ASSY	USED ON				
APPLICATION		DO NOT SCALE DRAWING			

TITLE:		ASSEMBLY, CHILLER, FM60CW, 25L X 15.50W X 23H		
PART NO.		20064-001		
SIZE	DWG. NO.	REV		
B	FM20064	-		
OLD PART NO. -				
SCALE: 1:8	WGT: 299.16 LBS	SHEET 1 OF 1		