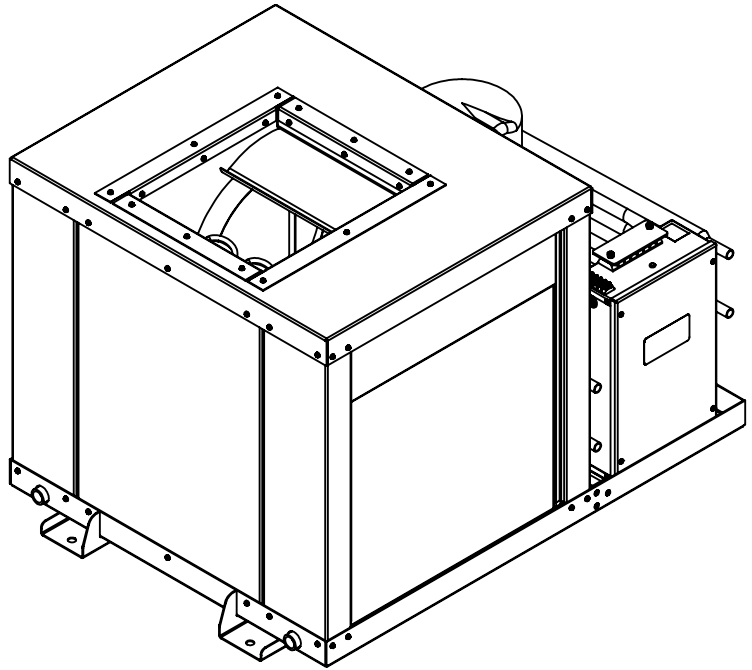
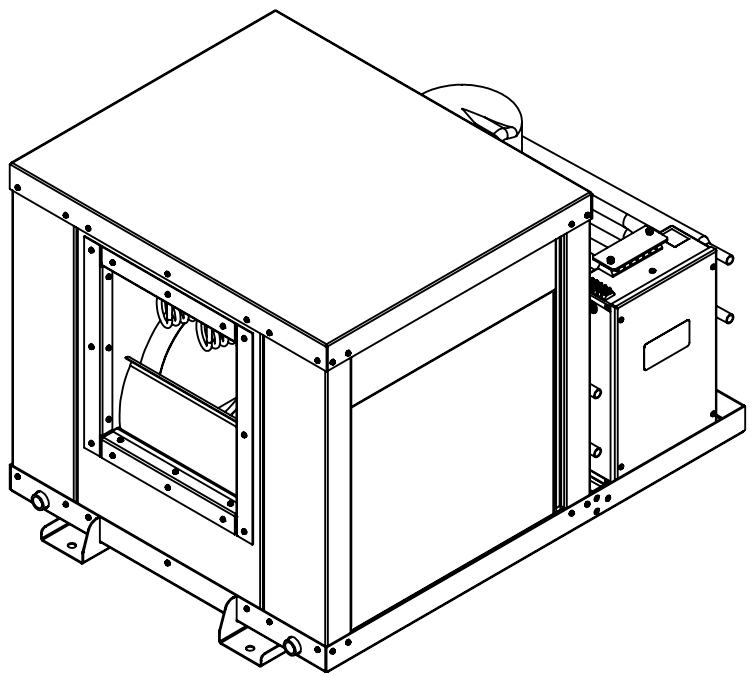


PART NUMBER	DESCRIPTION
20050-001	ASSEMBLY, AIR CONDITIONER FM60S-H, 39L X 28W X 26H, 230V TOP
20050-002	ASSEMBLY, AIR CONDITIONER FM60S-H, 39L X 28W X 26H, 230V SIDE
20050-011	ASSEMBLY, AIR CONDITIONER FM60S-H, 39L X 28W X 26H, 230V TOP, WITH OPTIONAL HEAT
20050-012	ASSEMBLY, AIR CONDITIONER FM60S-H, 39L X 28W X 26H, 230V SIDE, WITH OPTIONAL HEAT

FLAGSHIP MARINE, INC.				
REV.	ZONE	DESCRIPTION	DATE	ENG APPROVAL
01	-	INITIAL CHECK-IN	12/16/2010	-
02	-	UPDATED WITH PART REVISIONS	2/14/2011	-
03	-	ADDED HARDWARE	2/25/2011	-



**20050-011 SHOWN  
SEE SHEET 3 AND 4 OF 3 FOR DIMENSIONS**



**20050-012 SHOWN  
SEE SHEET 3 AND 4 OF 3 FOR DIMENSIONS**

ITEM NO.	PART NUMBER	DESCRIPTION	20050-001/QTY.	20050-002/QTY.	20050-011/QTY.	20050-012/QTY.
34	ZR54K5-PFV-800	COMPRESSOR, 1PH, 60 Hz, 208-230V	1	1	1	1
33	Selected Wide FW 0.375		4	-	4	-
32	Regular LW 0.375		4	4	4	4
31	HNUT 0.3750-16-D-N		4	-	4	-
30	80055-001	WELDMENT, PANEL, ACCESS, AIR CONDITIONER, FMAC60S-H	-	1	-	1
29	80054-001	WELDMENT, LID, AIR CONDITIONER, FMAC60S-H	1	-	1	-
28	80053-001	WELDMENT, DRAIN PAN, EVAPORATOR, FMAC60S-H	2	2	2	2
27	80052-001	WELDMENT, BASE, AIR CONDITIONER, FM48S-H / FM60S-H / FM72S-H	1	1	1	1
26	72396	#8-32 x 3/8" PHMS 18-8 SS	-	-	4	4
25	70169-001	FABRICATION, LID, ENCLOSURE, HEATER COIL, AIR CONDITIONER, FM48S - FM180S	-	-	1	1
24	70168-001	FABRICATION, ENCLOSURE, HEATER COIL, AIR CONDITIONER, FM48S - FM180S	-	-	1	1
23	70081-002	FABRICATION, BRACKET, BLOWER, AIR CONDITIONER, FM48S/60S/72S/96S/120S/180S-H	-	2	-	2
22	70081-001	FABRICATION, BRACKET, BLOWER, AIR CONDITIONER, FM48S/60S/72S/96S/120S/180S-H	2	-	2	-
21	70079-001	FABRICATION, PANEL, CLOSE OUT, AIR CONDITIONER, FMAC60S-H	2	2	2	2
20	70078-001	FABRICATION, PANEL, ACCESS, AIR CONDITIONER, FMAC60S-H	2	1	2	1
19	70075-001	FABRICATION, BRACKET, WATER COIL, FM48S/60S/120S/180S-H	1	1	1	1
18	70073-012	FABRICATION, PANEL, CORNER, AIR CONDITIONER, FM48S/60S/120S/180S-H	1	1	1	1
17	70073-002	FABRICATION, PANEL, CORNER, AIR CONDITIONER, FM48S/60S/120S/180S-H	1	1	1	1
16	70073-001	FABRICATION, PANEL, CORNER, AIR CONDITIONER, FM48S/60S/120S/180S-H	2	2	2	2
15	70071-001	FABRICATION, LID, AIR CONDITIONER, FMAC60S-H	-	1	-	1
14	70067-101	FABRICATION, BRACKET, BLOWER 1XJY2, AIR HANDLER	2	2	2	2
13	70067-001	FABRICATION, BRACKET, BLOWER 1XJY2, AIR HANDLER	2	2	2	2
12	60216-001	EVAPORATOR, 36000 MBTU, 17.50HX18.13W, 3 ROW	2	2	2	2
11	60131-001	GROMMET, 11/16" PUSH-IN LOCKING, NYLON	3	3	4	4
10	60071-001	STANDOFF, .385 ID X 1.406 OD X 1.00 THK, 70 DURO EPDM BLACK	4	4	4	4
9	60070-001	WASHER, .385 ID X 1.406 OD X .25 THK, 60 DURO EPDM BLACK	4	4	4	4
8	60062-001	THERMAL LIMIT SWITCH, 130 DEGREE	-	-	1	1
7	60060-001	THERMAL LIMIT SWITCH, 110 DEGREE	-	-	2	2
6	60035-001	HEATER ELEMENT, COIL, 74"L, 8MM, 4000W, 230VAC, DBL END THRD BULKHEAD	-	-	2	2
5	60014-001	BLOWER, PSC, FORWARD CURVE, DIRECT DRIVE, WHEEL DIA 13"	1	1	1	1
4	50011-001	FABRICATION, TUBING, AIR CONDITIONER, FM60S-H	2	2	2	2
3	20016-001	ASSEMBLY, CONTROL BOX, SELF CONTAINED, A/C, 48K-120K UNIVERSAL	1	1	1	1
2	1131943	#8-18 X 1/2" HWH #3 PT SELF DRILLING SCREW, 410 SS	80	80	90	90
1	41424	RIVET 3/16" DIA .062-.125" GRIP RANGE, SSB62S STAINLESS	27	27	27	27

**FLAGSHIP MARINE, INC. BILL OF MATERIALS**

**Flagship Marine**  
CORPORATION  
EST. 1982

**FLAGSHIP MARINE, INC.**  
2427 SE DIXIE HIGHWAY  
STUART | FLORIDA | 34996 | USA  
(772) 283-1609 | (800) 319-6426  
FAX (772) 283-4611

**PROPRIETARY AND CONFIDENTIAL**

THIS DOCUMENT CONTAINS INFORMATION PROPRIETARY TO **FLAGSHIP MARINE, INC.** NO PART MAY BE REPRODUCED, USED IN ANY FORM, OR STORED ELECTRONICALLY WITHOUT THE WRITTEN PERMISSION OF **FLAGSHIP MARINE, INC.**

UNLESS OTHERWISE SPECIFIED:		NAME	DATE
DIMENSIONS ARE IN INCHES		DRAWN	SWC 5/7/2009
TOLERANCES:		CHECKED	TCM -
FRACTIONS ± 1/32		ENG APPR.	TCM -
ANG: MACH ± 0°30' BEND ± 2°		MFG APPR.	TCM -
DECIMALS .XX ± .01		Q.A.	EAS -
.XXX ± .005		PERP STRAIGHTNESS	∓ .003/IN
HOLE Ø .XX ± .005		FLATNESS	∓ .005/IN
INTERPRET GEOMETRIC TOLERANCING PER: ASME Y14.5M		THREADS:	EXTERNAL - CLASS 2A
MATERIAL		INTERNAL - CLASS 2B	63/ U.O.S
FINISH		MACHINED SURFACES: ✓	
NEXT ASSY	USED ON		
APPLICATION		DO NOT SCALE DRAWING	

TITLE: **ASSEMBLY, AIR CONDITIONER FM60S-H, 39L X 28W X 26H**

PART NO. **20050-0XX**

SIZE **B** DWG. NO. **FM20050** REV **03**

OLD PART NO. -

SCALE: 1:12 | WGT: 531.34 LBS | SHEET 1 OF 3

2. PREFERRED LIMITS AND FITS PER ANSI B4.1 (INCHES).

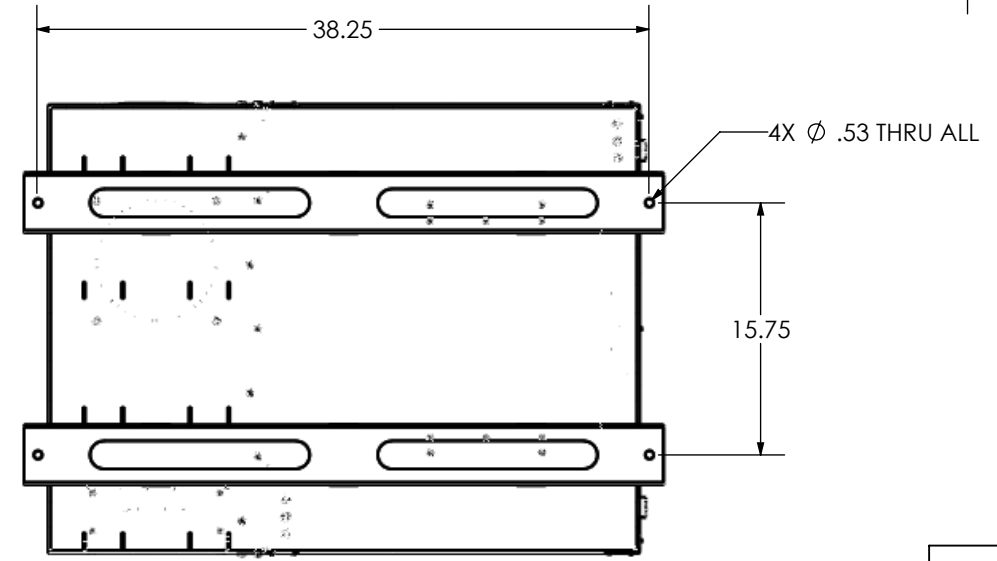
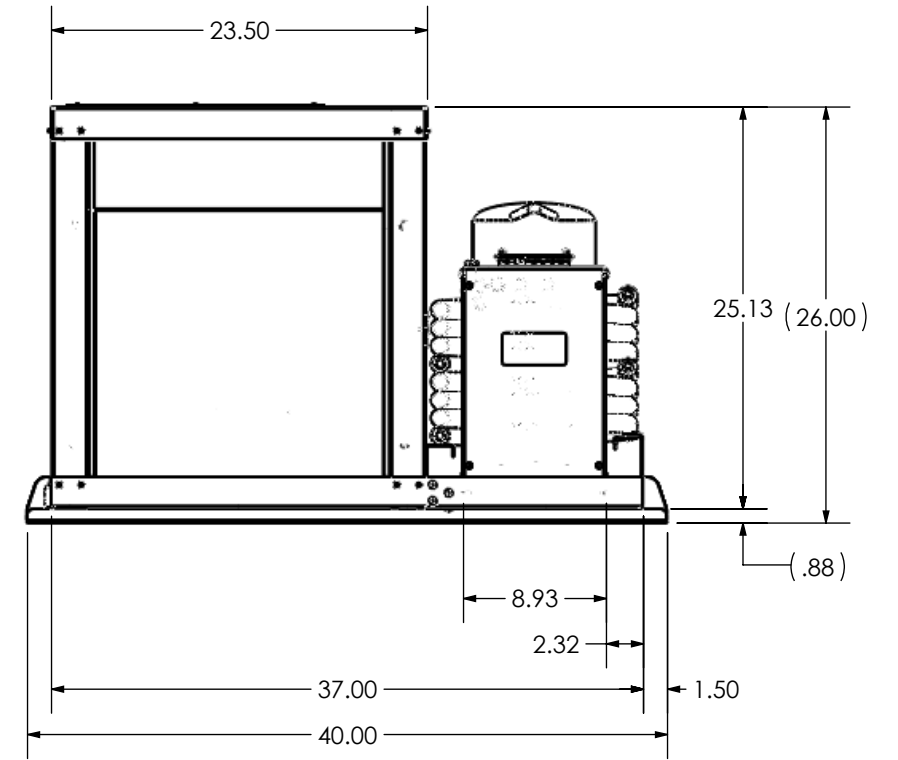
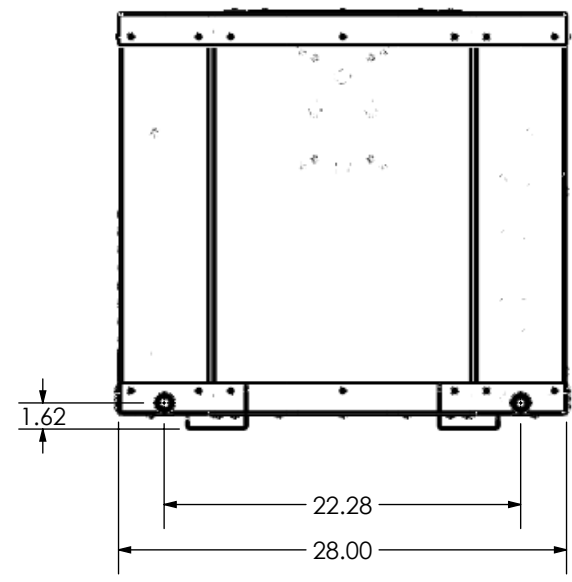
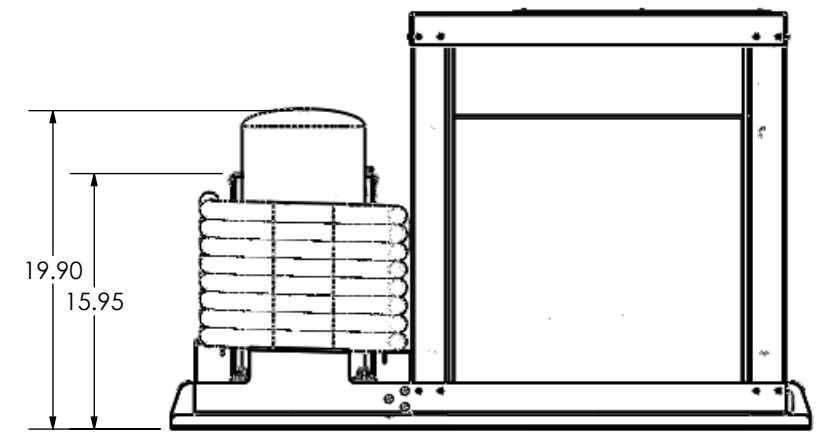
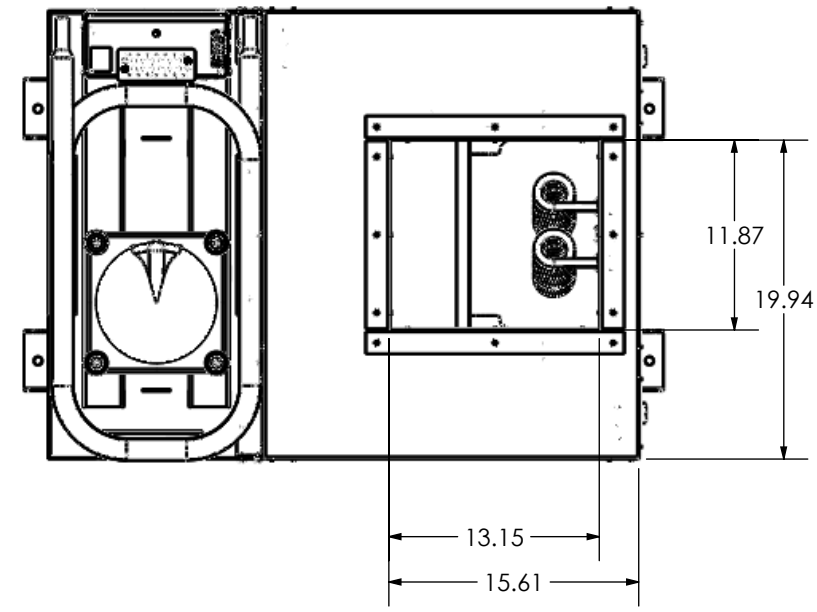
1. DIMENSIONING & TOLERANCING PER ASME Y14.5M.

NOTES:

8 7 6 5 4 3 2 1

D  
C  
B  
A

D  
C  
B  
A



**20050-011 SHOWN  
SEE SHEET 1 OF 3 FOR BILL OF MATERIALS**

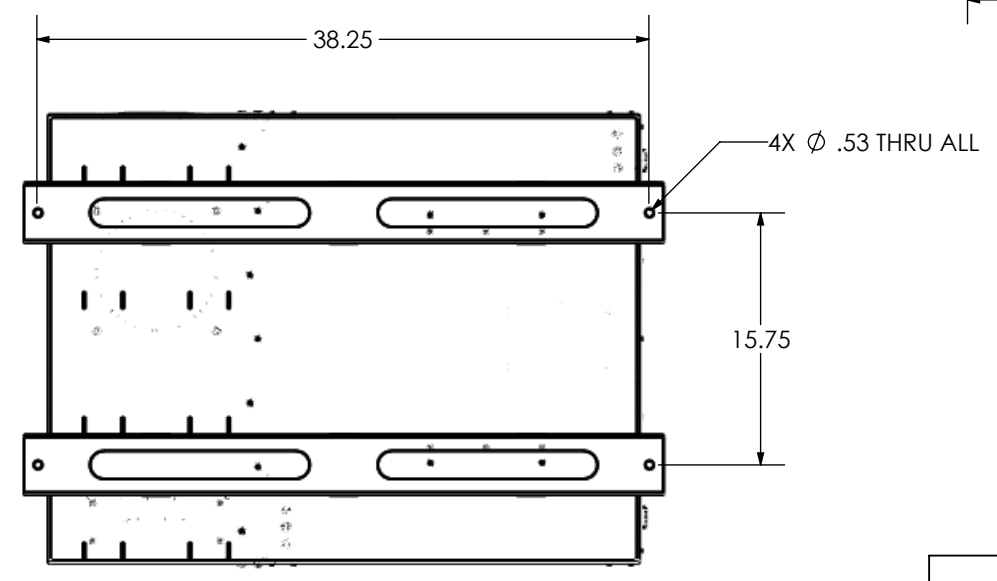
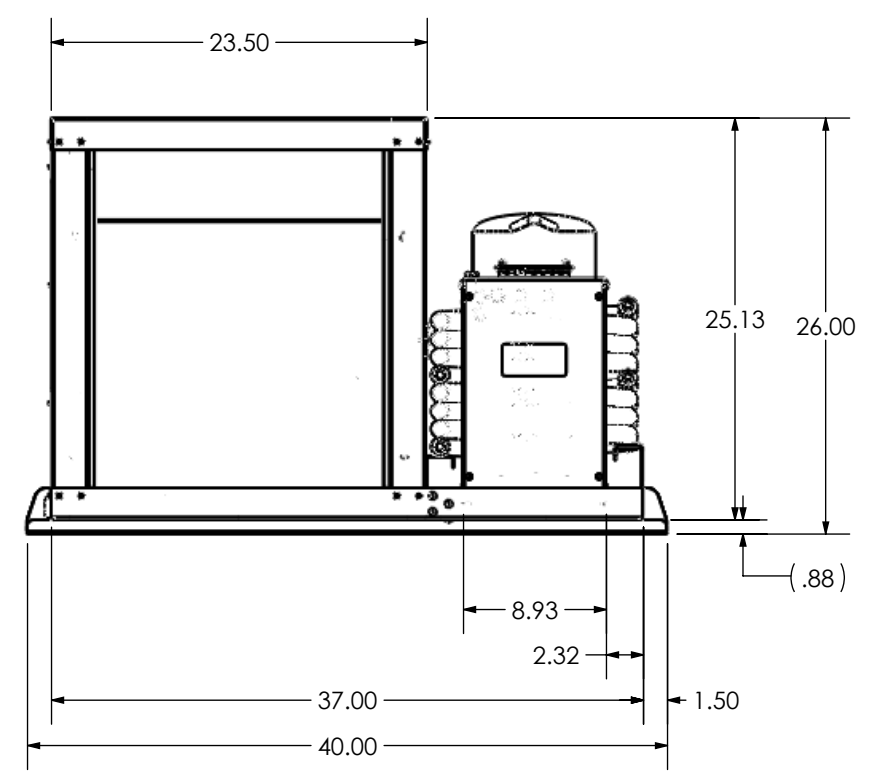
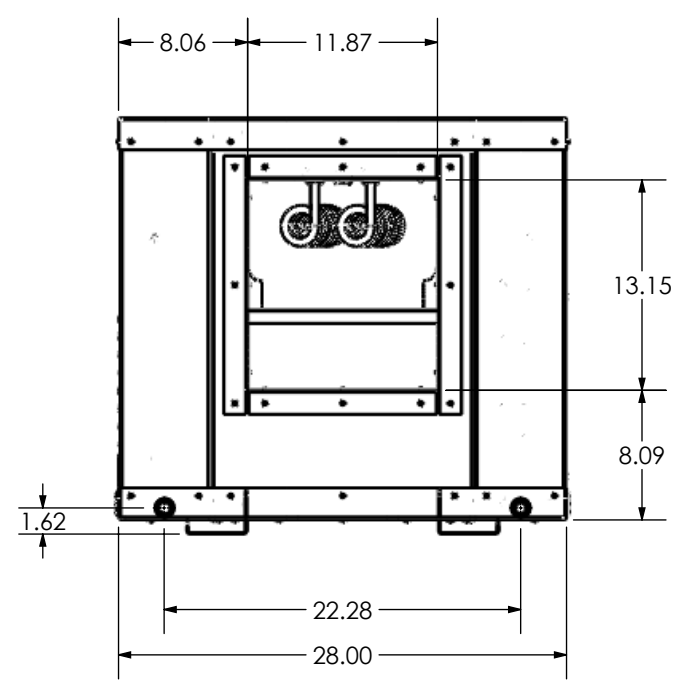
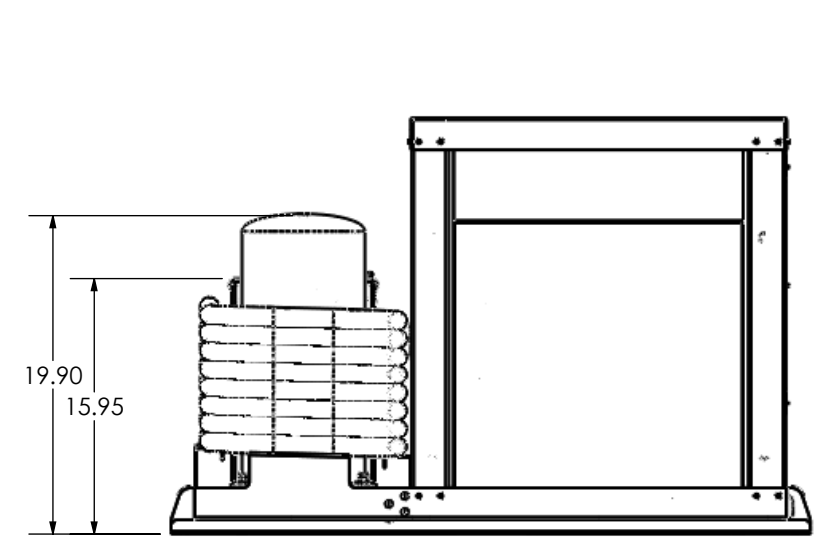
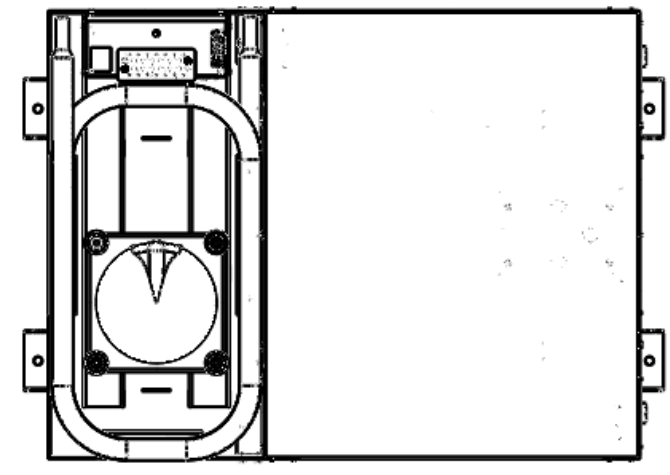
2427 SE DIXIE HIGHWAY   STUART   FLORIDA   34996   USA (772) 283-1609   (800) 319-6426 FAX (772) 283-4611	DRAWN -	SIZE	DRAWING NO.	REV
	CHECKED -	B	FM20050	03
	ENG APPR. -	WGT: 531.34 LBS	SCALE: 1:12	SHEET 2 OF 3

8 7 6 5 4 3 2 1

8 7 6 5 4 2 1

D  
C  
B  
A

D  
C  
B  
A



**20050-012 SHOWN  
SEE SHEET 1 OF 3 FOR BILL OF MATERIALS**

2427 SE DIXIE HIGHWAY   STUART   FLORIDA   34996   USA (772) 283-1609   (800) 319-6426 FAX (772) 283-4611	DRAWN -	SIZE B	DRAWING NO. FM20050	REV 03
	CHECKED -			
	ENG APPR. -	WGT: 528.52 LBS	SCALE: 1:12	SHEET 3 OF 3

8 7 6 5 4 3 2 1