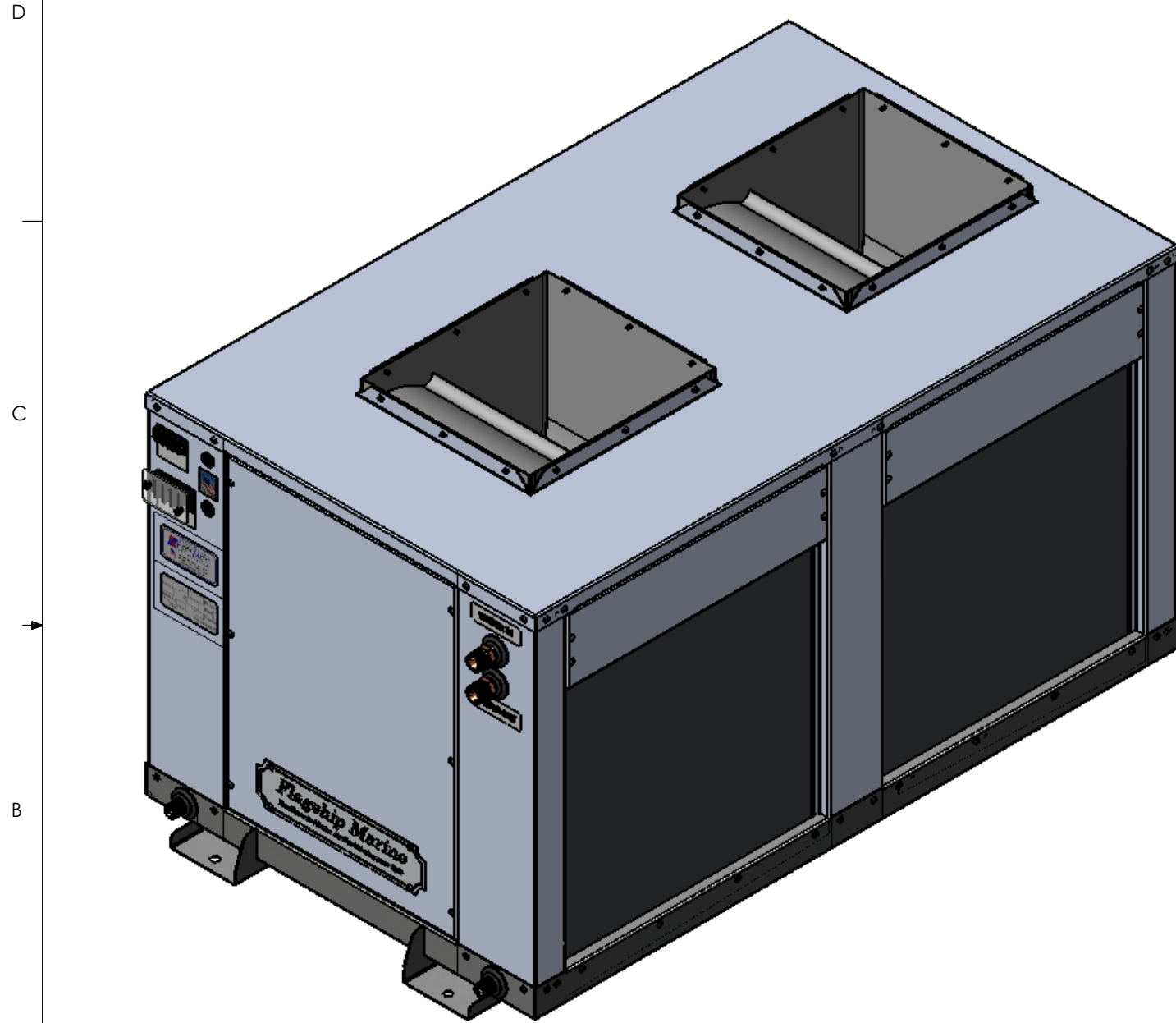
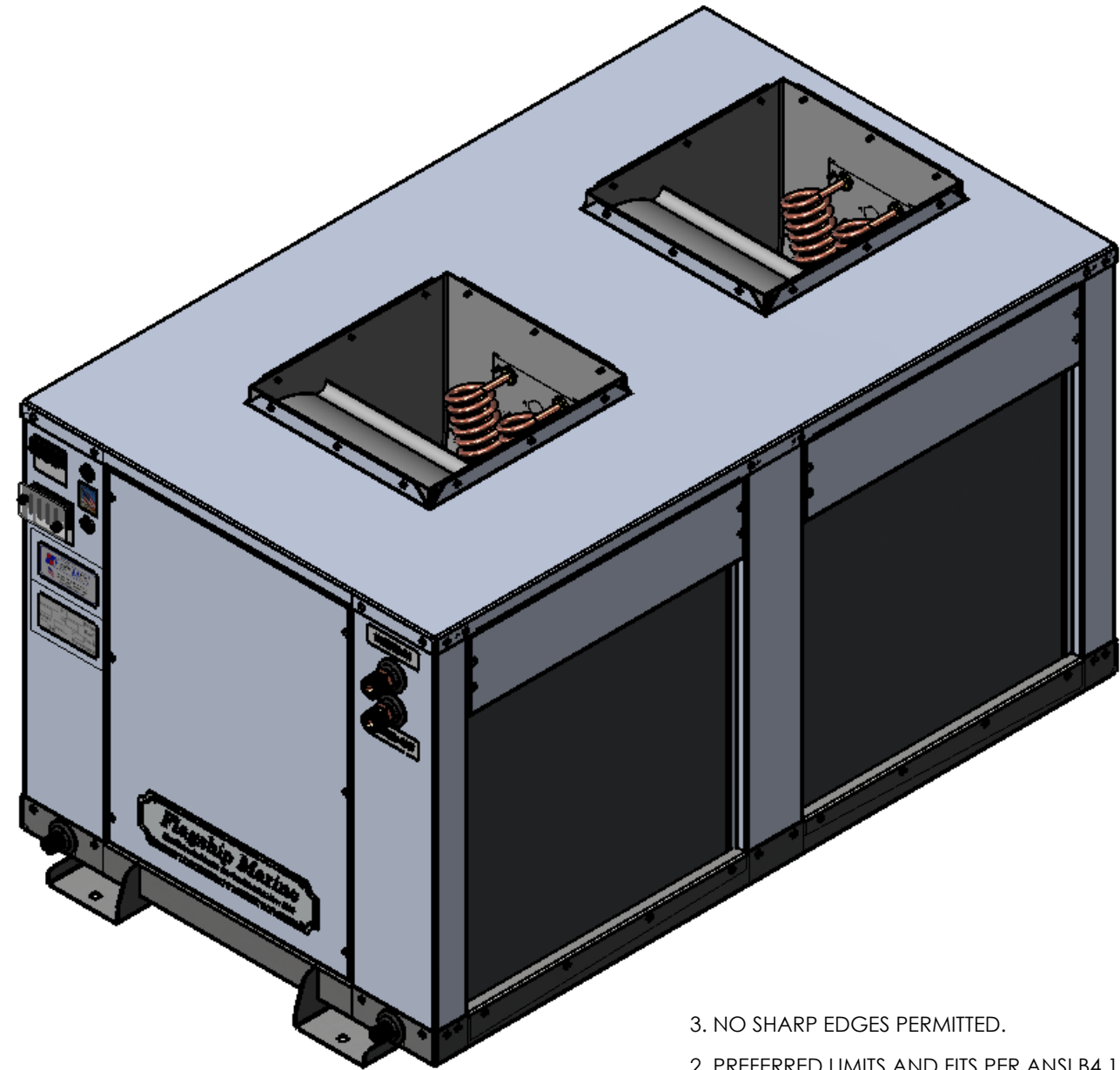


PART NUMBER	DESCRIPTION
20088-001	ASSEMBLY, CHILLED WATER, FAN COIL, FM120/144CWFC, 230V TOP
20088-011	ASSEMBLY, CHILLED WATER, FAN COIL, FM120/144CWFC, 230V TOP, WITH OPTIONAL HEAT

FLAGSHIP MARINE, INC.				
REV.	ZONE	DESCRIPTION	DATE	ENG APPROVAL
02	-	UPDATED WITH INTERNAL PART NUMBERS	2/25/2014	-
03	-	REDESIGNED AND REDIMENSIONED	6/20/2014	-
A	-	RELEASED FOR MANUFACTURING	7/16/2014	-



**20088-001 SHOWN
SEE SHEET 2 OF 4 FOR BOM
SEE SHEET 3 OF 4 FOR DIMENSIONS**



**20088-011 SHOWN
SEE SHEET 2 OF 4 FOR BOM
SEE SHEET 4 OF 4 FOR DIMENSIONS**

- 3. NO SHARP EDGES PERMITTED.
- 2. PREFERRED LIMITS AND FITS PER ANSI B4.1 (INCHES).
- 1. DIMENSIONING & TOLERANCING PER ASME Y14.5M.

NOTES:



FLAGSHIP MARINE, INC.
2427 SE DIXIE HIGHWAY
STUART | FLORIDA | 34996 | USA
(772) 283-1609 | (800) 319-6426
FAX (772) 283-4611

PROPRIETARY AND CONFIDENTIAL

THIS DOCUMENT CONTAINS INFORMATION PROPRIETARY TO FLAGSHIP MARINE, INC. NO PART MAY BE REPRODUCED, USED IN ANY FORM, OR STORED ELECTRONICALLY WITHOUT THE WRITTEN PERMISSION OF FLAGSHIP MARINE, INC.

UNLESS OTHERWISE SPECIFIED:		NAME	DATE	TITLE: ASSEMBLY, CHILLED WATER, FAN COIL, FM120/144CWFC	
DIMENSIONS ARE IN INCHES		DRAWN	SWC		5/7/2009
TOLERANCES:		CHECKED	TCM		-
FRACTIONS ± 1/32		ENG APPR.	TCM		-
ANG: MACH ± 0°30' BEND ± 2°		MFG APPR.	TCM		-
DECIMALS .XX ± .01		Q.A.	EAS	-	
.XXX ± .005		PERP STRAIGHTNESS		SIZE DWG. NO. REV B FM20088 A	
HOLE Ø .XX ± .005		FLATNESS			
INTERPRET GEOMETRIC TOLERANCING PER: ASME Y14.5M		THREADS:		OLD PART NO. -	
MATERIAL		EXTERNAL - CLASS 2A		SCALE: 1:8	
FINISH		INTERNAL - CLASS 2B		WGT: 494.85 LBS	
NEXT ASSY	USED ON	MACHINED SURFACES: ✓ U.O.S		SHEET 1 OF 4	
APPLICATION		DO NOT SCALE DRAWING			

D

C

B

A

D

C


B

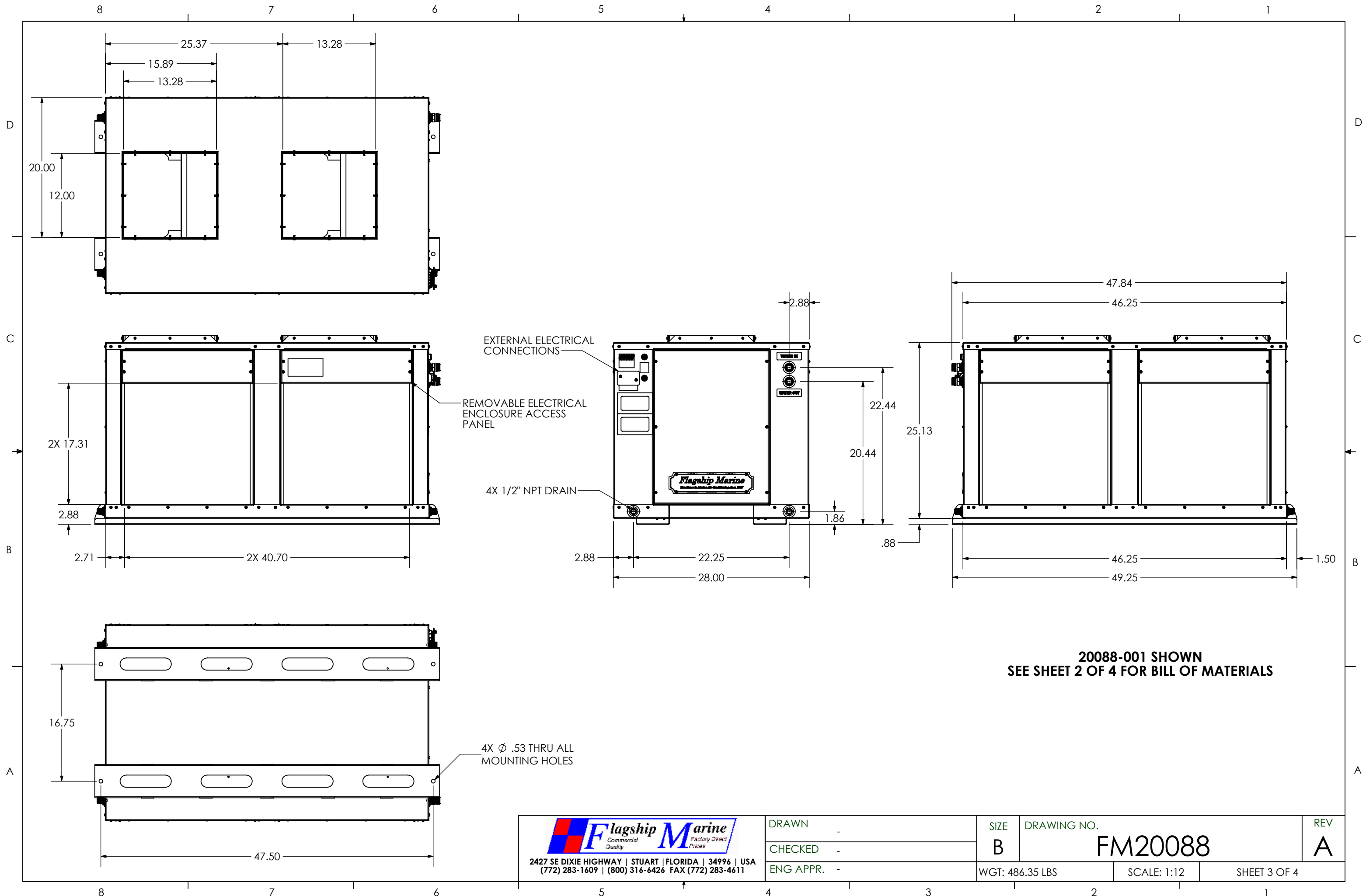
A

50	80077-102	WELDMENT, DRY DRAIN PAN, CHILLED WATER, FAN COIL, FM60/72/120/144CWFC	-	2
49	80077-101	WELDMENT, DRY DRAIN PAN, CHILLED WATER, FAN COIL, FM60/72/120/144CWFC	2	2
48	80077-001	WELDMENT, DRY DRAIN PAN, CHILLED WATER, FAN COIL, FM48/96CWFC	2	-
47	80056-004	WELDMENT, BASE, CHILLED WATER, FAN COIL, FM120/144CWFC	1	1
46	70269-001	FABRICATION, CONTROL BOX, CHILLED WATER, FAN COIL, UNIVERSAL	1	1
45	70249-002	WELDMENT, PANEL, BIFECTOR, CHILLED WATER, FAN COIL, FM120/144/180CWFC	2	2
44	70237-005	FABRICATION, SUPPORT RAIL, CHILLED WATER, FAN COIL, FM60/72/120/144/180CWFC	4	4
43	70237-004	FABRICATION, SUPPORT RAIL, CHILLED WATER, FAN COIL, FM60/72/120/144/180CWFC	4	4
42	70237-001	FABRICATION, SUPPORT RAIL, CHILLED WATER, FAN COIL, FM48/60/72/96/120/144/180CWFC	2	2
41	70232-005	FABRICATION, PANEL, CHILLED WATER, FAN COIL, FM60/72/120/144/180CWFC	4	4
40	70232-002	FABRICATION, PANEL, CHILLED WATER, FAN COIL, FM48/60/72/96/120/144/180CWFC	1	1
39	70232-001	FABRICATION, PANEL, CHILLED WATER, FAN COIL, FM48/60/72/96/120/144/180CWFC	1	1
38	70171-005	FABRICATION, LID, CHILLED WATER, FAN COIL, FM96CWFC	1	1
37	70170-001	DETAIL, PLATE, DECORATIVE, FLAGSHIP MARINE	1	1
36	70169-001	FABRICATION, LID, ENCLOSURE, HEATER COIL, AIR CONDITIONER, FM48S - FM180S	-	2
35	70168-001	FABRICATION, ENCLOSURE, HEATER COIL, AIR CONDITIONER, FM48S - FM180S	-	2
34	70166-104	FABRICATION, CORNER, PLUMBING INPUT, CHILLED WATER, FAN COIL, FM60/72/120/144/180CWFC	1	1
33	70166-103	FABRICATION, CORNER, ELECTRICAL INPUT, CHILLED WATER, FAN COIL, FM60/72/120/144/180CWFC	1	1
32	70166-102	FABRICATION, CORNER, CHILLED WATER, FAN COIL, FM60/72/120/144/180CWFC	1	1
31	70166-101	FABRICATION, CORNER, CHILLED WATER, FAN COIL, FM60/72/120/144/180CWFC	1	1
30	70081-001	FABRICATION, BRACKET, BLOWER, FM48/60/72/96/120/144/180	4	4
29	672A GP 03	TERMINAL BLOCK, 300 SERIES, KULKA 672A GP SERIES, 600V, 3 POLE	1	1
28	670A GP 04	TERMINAL BLOCK, 100 SERIES, KULKA 670A GP SERIES, 150V, 4 POLE	1	1
27	60814-001	NIPPLE, 1/2 X 3 1/2, ALUMINUM	4	4
26	60652-001	SCREW, #8-32 X 1" - #2 DRIVE TRUSS HEAD PHILLIPS, 18-8 SS	28	28
25	60649-001	SCREW, #8-32 X 3/8" - #2 DRIVE TRUSS HEAD PHILLIPS, 18-8 SS	20	20
24	60572-001	#8-32 X 1 1/4" PHMS 18-8 SS	2	2
23	60533-001	RIVET, 3/16" DIA. .062-.125" GRIP RANGE, SSB6-2S	96	96
22	60527-001	#8-18 X 1/2" HWH #3 PT SELF DRILLING SCREW, 410 SS	48	64
21	60526-001	#8-32 MACHINE SCREW NUT SS	4	4
20	60521-001	#8-32 X 1/2" PHMS 18-8 SS	4	4
19	60517-001	#8-32 x 3/8" PHMS 18-8 SS	-	8
18	60510-001	LABEL, CLEAR OVERLAY	2	2
17	60506-001	LABEL, DYMO LABEL WRITER DUO, MISC	1	1
16	60506-001	LABEL, DYMO LABEL WRITER DUO, MISC	1	1
15	60505-001	LABEL, MADE IN USA	1	1
14	60503-001	LABEL, DANGER HAZARDOUS VOLTAGE	1	1
13	60501-001	LABEL, FMI SERIAL NUMBER	1	1
12	60500-001	LABEL, FMI MANUFACTURED BY	1	1
11	60493-001	LABEL, DYMO LABEL WRITER DUO, WATER IN	1	1
10	60492-001	LABEL, DYMO LABEL WRITER DUO, WATER OUT	1	1
9	60216-001	EVAPORATOR, 36000 MBTU, 17.50HX18.13W, 3 ROW	4	4
8	60139-001	GROMMET, SNAP-IN SEALING, 1/2" PIPE, FITS .82"-.91" PIPE DIA.	6	6
7	60132-001	GROMMET, ALL-FIT ADJUSTABLE, PUSH IN LOCKING, NYLON	2	2
6	60131-001	GROMMET, 11/16" PUSH-IN LOCKING, NYLON	-	2
5	60062-001	THERMAL LIMIT SWITCH, 130 DEGREE	-	4
4	60035-001	HEATER ELEMENT, COIL, 74"L, 8MM, 4000W, 230VAC, DBL END THRD BULKHEAD	-	4
3	60014-001	BLOWER, PSC, FORWARD CURVE, DIRECT DRIVE, WHEEL DIA 13", DAYTON 1XJY4	2	2
2	5520K127	SOLDER-JOINT COPEER TUBE FITTING, REDUCING ADAPTER, 5/8" TUBE, 3/4" NPT	2	2
1	50001-001	DETAIL, COVER, PROTECTIVE, TERMINAL BLOCK, 3 POS	1	1

ITEM NO.	PART NUMBER	DESCRIPTION	20088-001/QTY.	20088-011/QTY.
----------	-------------	-------------	----------------	----------------

FLAGSHIP MARINE, INC. BILL OF MATERIALS

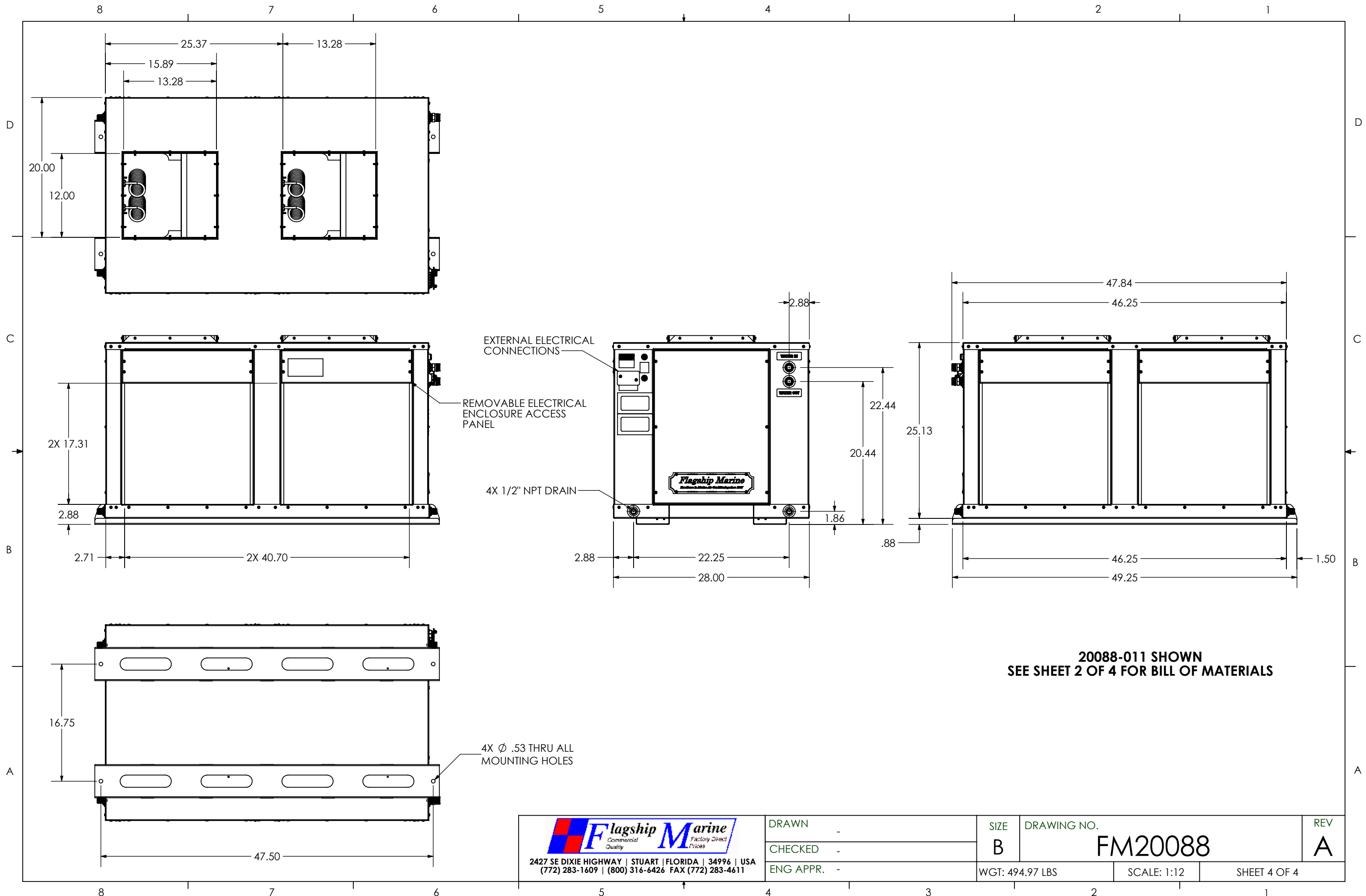
 <p>2427 SE DIXIE HIGHWAY STUART FLORIDA 34996 USA (772) 283-1609 (800) 316-6426 FAX (772) 283-4611</p>	DRAWN -	SIZE	DRAWING NO.		REV
	CHECKED -	B	FM20088		A
	ENG APPR. -	WGT: 494.85 LBS	SCALE: 1:12	SHEET 2 OF 4	



Flagship Marine
 Commercial Quality Factory Direct Prices
 2427 SE DIXIE HIGHWAY | STUART | FLORIDA | 34996 | USA
 (772) 283-1609 | (800) 316-6426 FAX (772) 283-4611

DRAWN	-
CHECKED	-
ENG APPR.	-

SIZE	DRAWING NO.	REV
B	FM20088	A
WGT: 486.35 LBS	SCALE: 1:12	SHEET 3 OF 4



20088-011 SHOWN
SEE SHEET 2 OF 4 FOR BILL OF MATERIALS

 <p>Commercial Quality Factory Direct Prices</p> <p>2427 SE DIXIE HIGHWAY STUART FLORIDA 34996 USA (772) 283-1609 (800) 316-6426 FAX (772) 283-4611</p>	DRAWN -	SIZE B	DRAWING NO. FM20088	REV A
	CHECKED -	WGT: 494.97 LBS	SCALE: 1:12	SHEET 4 OF 4
	ENG APPR. -			