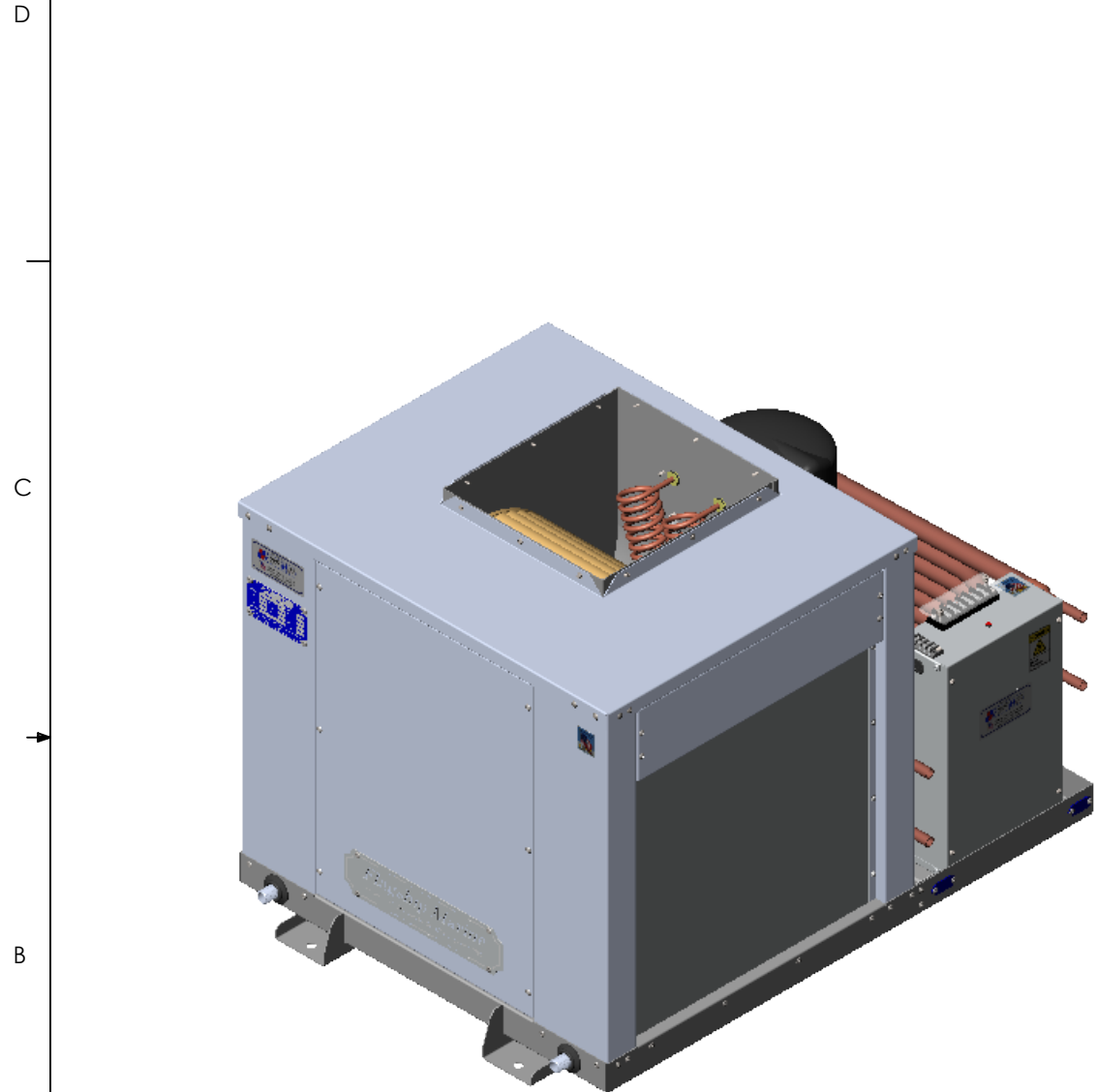


PART NUMBER	DESCRIPTION
20050-001	ASSEMBLY, AIR CONDITIONER, SELF CONTAINED, FM60S-H, 230V TOP
20050-002	ASSEMBLY, AIR CONDITIONER, SELF CONTAINED, FM60S-H, 230V SIDE
20050-011	ASSEMBLY, AIR CONDITIONER, SELF CONTAINED, FM60S-H, 230V TOP, WITH OPTIONAL HEAT
20050-012	ASSEMBLY, AIR CONDITIONER, SELF CONTAINED, FM60S-H, 230V SIDE, WITH OPTIONAL HEAT

FLAGSHIP MARINE, INC.				
REV.	ZONE	DESCRIPTION	DATE	ENG APPROVAL
H	-	FIXED ALIGNMENTS DISCOVERED AT ASSEMBLY	3/14/2018	-
J	-	UPDATE TO CONDENSER COIL	3/20/2018	-
K	-	NEW CONDENSER ASSEMBLY, ADDED TAGS	4/4/2018	-



56	1	1	1	1	80077-102	WELDMENT, DRY DRAIN PAN, CHILLED WATER, FAN COIL, FM60/72/120/144CWFC
55	1	1	1	1	80077-101	WELDMENT, DRY DRAIN PAN, CHILLED WATER, FAN COIL, FM60/72/120/144CWFC
54	1	1	1	1	80052-002	WELDMENT, BASE, AIR CONDITIONER, SELF CONTAINED, FM60/72S-H
53	1	1	1	1	71187-001	ASSEMBLY, CORNER, CHILLED WATER, FAN COIL, FM60CWFC
52	1	1	1	1	71186-001	ASSEMBLY, CORNER, CHILLED WATER, FAN COIL, FM60CWFC
51	1	1	1	1	71000-001	DETAIL, PLATE, SERIAL NUMBER TAG, FLAGSHIP MARINE
50	1	1	1	1	70999-001	TAG, WATER IN, ANODIZED, ETCHED
49	1	1	1	1	70998-001	TAG, WATER OUT, ANODIZED, ETCHED
48	1	1	1	1	70681-002	FABRICATION, CORNER, CHILLED WATER, FAN COIL
47	1	1	1	1	70681-001	FABRICATION, CORNER, CHILLED WATER, FAN COIL
46	2	2	2	2	70657-001	FABRICATION, STRAP, FILTER DRIER, CHILLER, FM360CW
45	1	-	1	-	70399-002	FABRICATION, LID, CHILLED WATER, FAN COIL, FM60/72CWFC, TOP
44	-	1	-	1	70399-001	FABRICATION, LID, CHILLED WATER, FAN COIL, FM60/72CWFC, SIDE
43	4	4	4	4	70237-004	FABRICATION, SUPPORT RAIL, CHILLED WATER, FAN COIL, FM60/72/120/144/180CWFC
42	2	2	2	2	70237-001	FABRICATION, SUPPORT RAIL, CHILLED WATER, FAN COIL, FM48/60/72/96/120/144/180CWFC
41	2	2	2	2	70232-005	FABRICATION, PANEL, CHILLED WATER, FAN COIL, FM60/72/120/144/180CWFC
40	-	1	-	1	70232-003	FABRICATION, PANEL, CHILLED WATER, FAN COIL, FM48/60/72CWFC
39	1	-	1	-	70232-002	FABRICATION, PANEL, CHILLED WATER, FAN COIL, FM48/60/72/96/120/144/180CWFC
38	1	1	1	1	70232-001	FABRICATION, PANEL, CHILLED WATER, FAN COIL, FM48/60/72/96/120/144/180CWFC
37	1	1	1	1	70170-001	DETAIL, PLATE, DECORATIVE, FLAGSHIP MARINE
36	-	-	1	1	70169-001	FABRICATION, LID, ENCLOSURE, HEATER COIL, AIR CONDITIONER, FM48S - FM180S
35	-	-	1	1	70168-001	FABRICATION, ENCLOSURE, HEATER COIL, AIR CONDITIONER, FM48S - FM180S
34	-	2	-	2	70081-002	FABRICATION, BRACKET, BLOWER, FM48/60/72/96
34	2	-	2	-	70081-001	FABRICATION, BRACKET, BLOWER, FM48/60/72/96/120/144/180
33	1	1	1	1	70075-001	FABRICATION, BRACKET, AIR CONDITIONER, SELF CONTAINED, FM48S-H/60S-H/72S-H/96S-H/120S-H/144S-H/180S-H
32	A/R	A/R	A/R	A/R	61002-001	WEATHER STRIP, NEOPRENE/EPDM/SBR FOAM, ADHESIVE BACK, 3/16" THICK, 3/4" WIDE
31	A/R	A/R	A/R	A/R	61000-001	INSULATION, 1/8" FOAM PEEL AND STICK
30	A/R	A/R	A/R	A/R	60998-001	TAPE, CORK ROLL, 30"x2"
29	2	2	2	2	60814-001	NIPPLE, 1/2 X 3 1/2, ALUMINUM
28	20	20	20	20	60652-001	SCREW, #8-32 X 1" - #2 DRIVE TRUSS HEAD PHILLIPS, 18-8 SS
27	20	20	20	20	60649-001	SCREW, #8-32 X 3/8" - #2 DRIVE TRUSS HEAD PHILLIPS, 18-8 SS
26	4	4	4	4	60539-001	NUT, 3/8-16 NYLON LOCK NUT 18-8 SS
25	4	4	4	4	60534-001	WASHER, 3/8 X 1 1/4 FENDER WASHER, 18-8 SS
24	82	82	82	82	60533-001	RIVET, 3/16" DIA. .062-.125" GRIP RANGE, SSB-6-2S
23	16	16	16	16	60528-001	SELF TAP. #8 X 3/8 HWH SELF DRILL 410 SS
22	24	24	30	30	60527-001	SELF TAP. #8 X 1/2 HWH SELF DRILL 410 SS
21	-	-	4	4	60517-001	SCREW, #8-32 X 3/8" PAN HEAD MACHINE SCREW, #2 DRIVE PHILLIPS, 18-8 SS
20	1	1	1	1	60505-001	LABEL, MADE IN USA
19	1	1	1	1	60500-001	LABEL, FMI MANUFACTURED BY
18	1	1	1	1	60263-001	COMPRESSOR, SCROLL, 230/1/60, 80x370 RUN CAP, ZR54 SERIES
17	2	2	2	2	60216-001	EVAPORATOR, 36000 MBTU, 17.50HX18.13W, 3 ROW
16	2	2	2	2	60139-001	GROMMET, SNAP-IN SEALING, 1/2" PIPE (7/8" TUBE), FITS .82"-.91" PIPE DIA.
15	4	4	5	5	60131-001	GROMMET, 11/16" PUSH-IN LOCKING, NYLON
14	1	1	1	1	60124-001	FILTER DRIER, 48K-72K, 1/2", LIQUID LINE, TYPE LLD164S
13	20	20	20	20	60070-001	WASHER, .385 ID X 1.406 OD X .25 THK. 60 DURO EPDM BLACK
12	2	2	2	2	60069-001	SWITCH, PRESSURE, OPEN (400) CLOSE (300)
11	-	-	2	2	60062-001	SWITCH, THERMAL LIMIT, 130 DEG. F, NC
10	-	-	2	2	60035-001	HEATER ELEMENT, COIL, 74" L, 8MM, 4000W, 230VAC, DBL END THRD BULKHEAD
9	1	1	1	1	60014-001	BLOWER, PSC, FORWARD CURVE, DIRECT DRIVE, WHEEL DIA 13", DAYTON 1XJY4
8	1	1	1	1	40095-001	VALVE, EXPANSION, CHARGE ELEMENT AND CAP TUBE, 2-6 TON, KT43VGA
7	1	1	1	1	40085-001	VALVE, EXPANSION, EXT. BALANCED, 2-5 1/2-TON, R22/R410a, SBQEBODY3X4
6	1	1	1	1	40080-001	ORIFICE, CARTRIDGE, BALANCED PORT VALVES, WHITE, 3-1/4 - 5-1/2 TON (R22), 4-6 TON (R410a), BQC-C
5	A/R	A/R	A/R	A/R	30230-001	LOOM, SPLIT-TYPE, BLUE TRACER, 1/2", 1100, M125-0120-A
4	1	1	1	1	30020-001	WIRING, LARGE SELF-CONTAINED, 230/1/60
3	2	2	2	2	20161-001	CONDENSER, LIQUID COOLED, FM48S, FM60S, FM72S-H
2	-	-	1	1	20016-011	CONTROL ENCLOSURE, SELF-CONTAINED, 230/1/60, 48K-120K, HEAT
2	1	1	-	-	20016-001	CONTROL ENCLOSURE, SELF-CONTAINED, 230/1/60, 48K-120K, COOL ONLY

ITEM NO.	QTY	001/ QTY	002/ QTY	011/ QTY	012/ QTY	PART NUMBER	DESCRIPTION
----------	-----	----------	----------	----------	----------	-------------	-------------

Flagship Marine
FLAGSHIP MARINE, INC.
 2427 SE DIXIE HIGHWAY
 STUART | FLORIDA | 34996 | USA
 (772) 283-1609 | (800) 316-6426
 FAX (772) 283-4611

PROPRIETARY AND CONFIDENTIAL
 THIS DOCUMENT CONTAINS INFORMATION PROPRIETARY TO FLAGSHIP MARINE, INC. NO PART MAY BE REPRODUCED, USED IN ANY FORM, OR STORED ELECTRONICALLY WITHOUT THE WRITTEN PERMISSION OF FLAGSHIP MARINE, INC.

UNLESS OTHERWISE SPECIFIED:	NAME	DATE
DIMENSIONS ARE IN INCHES	DRAWN	TJW
TOLERANCES:	CHECKED	TCM
FRACTIONS ± 1/32	ENG APPR.	TCM
ANG: MACH ± 0°30' BEND ± 2°	MFG APPR.	TCM
DECIMALS .XX ± .01	Q.A.	EAS
.XXX ± .005		
HOLE Ø .XX ± .005		
INTERPRET GEOMETRIC TOLERANCING PER: ASME Y14.5M		
MATERIAL	PERP	± .003/IN
	STRAIGHTNESS	± .005/IN
	FLATNESS	± .005/IN
FINISH	THREADS:	
	EXTERNAL - CLASS 2A	
	INTERNAL - CLASS 2B	
	MACHINED SURFACES: ✓ U.O.S	

FLAGSHIP MARINE, INC. BILL OF MATERIALS

TITLE: ASSEMBLY, AIR CONDITIONER, SELF CONTAINED, FM60S-H

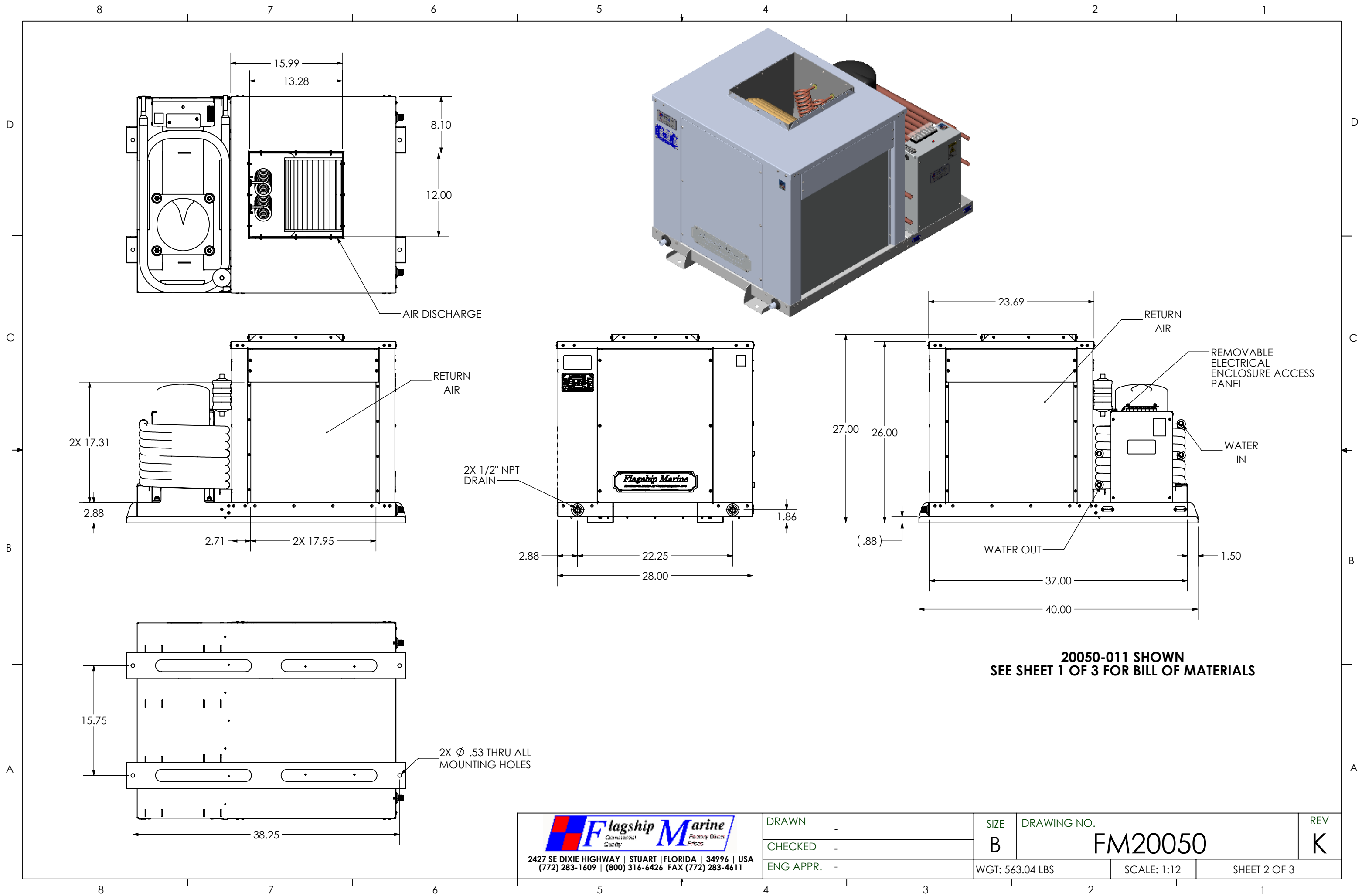
PART NO. 20050-0XX

SIZE DWG. NO. REV
B **FM20050** **K**


NSN NO. -

SCALE: 1:10 | WGT: 562.67 LBS | SHEET 1 OF 3

- NOTES:
3. NO SHARP EDGES PERMITTED.
 2. PREFERRED LIMITS AND FITS PER ANSI B4.1 (INCHES).
 1. DIMENSIONING & TOLERANCING PER ASME Y14.5M.



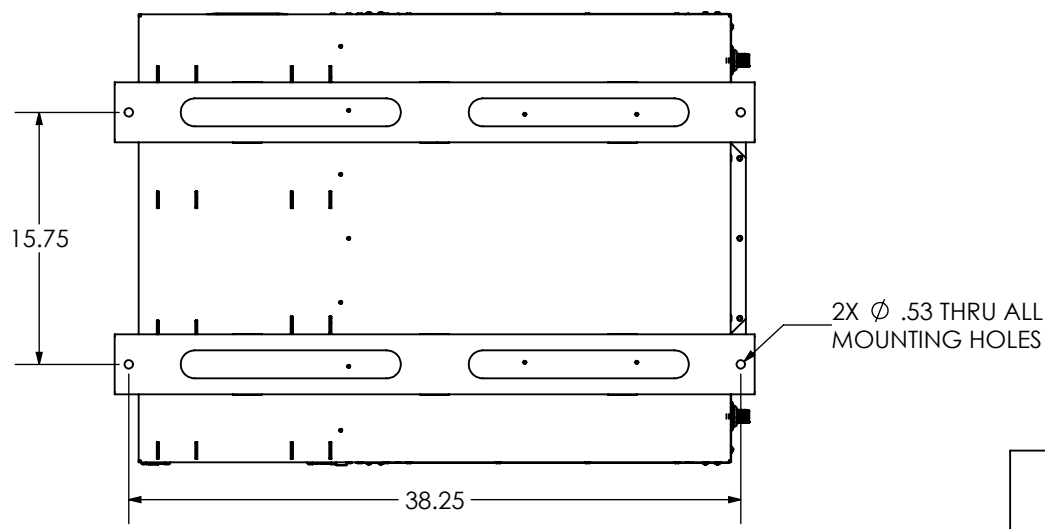
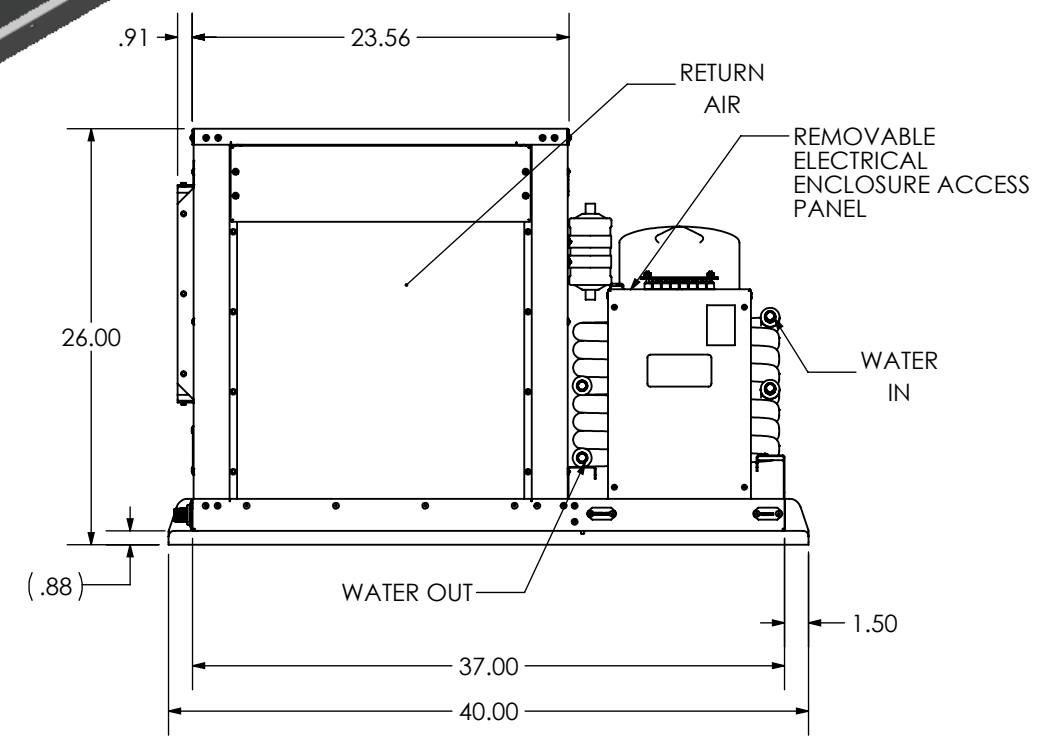
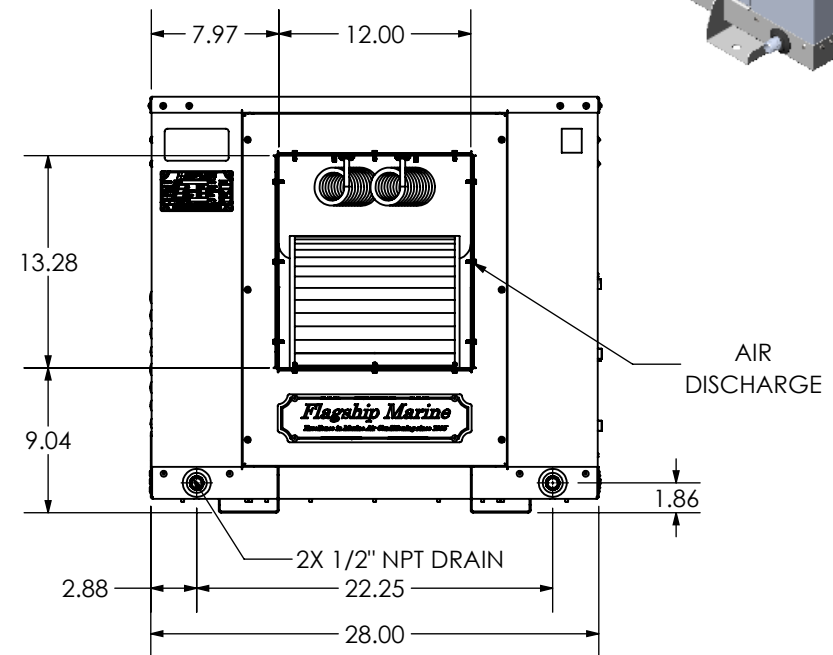
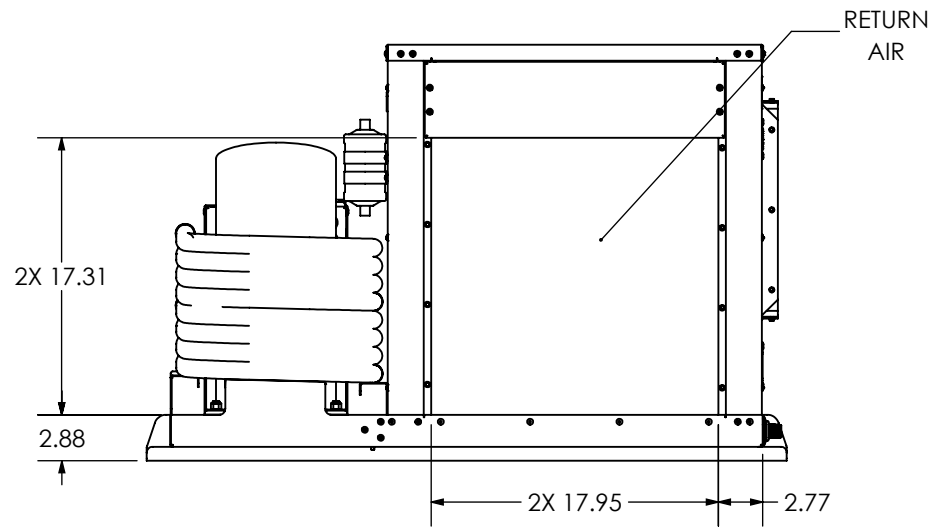
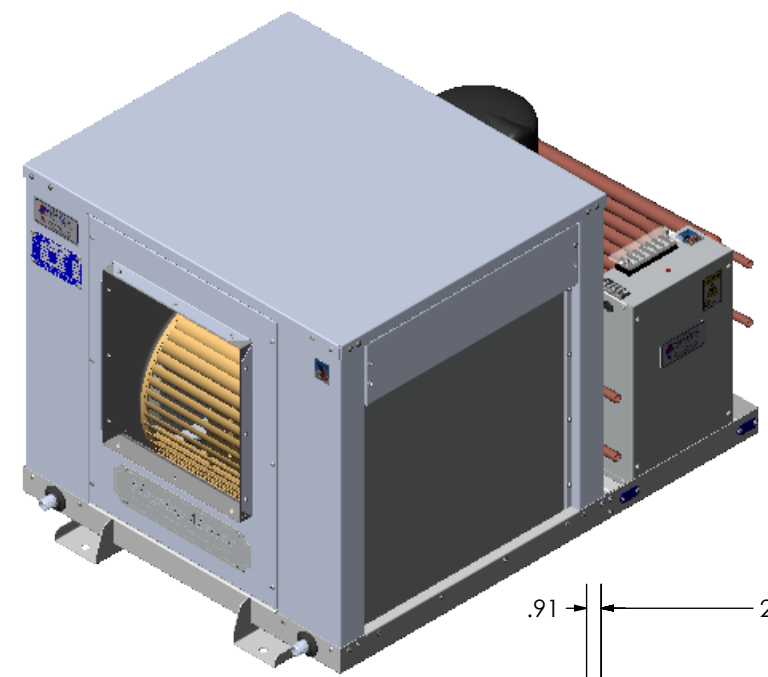
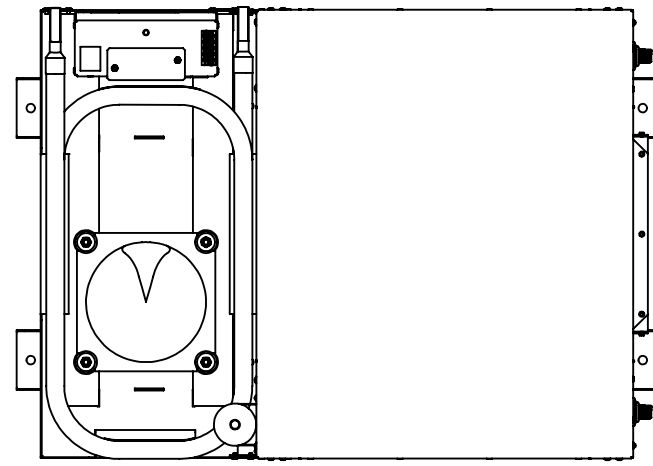
20050-011 SHOWN
SEE SHEET 1 OF 3 FOR BILL OF MATERIALS

 2427 SE DIXIE HIGHWAY STUART FLORIDA 34996 USA (772) 283-1609 (800) 316-6426 FAX (772) 283-4611	DRAWN -	SIZE B	DRAWING NO. FM20050	REV K
	CHECKED -	WGT: 563.04 LBS	SCALE: 1:12	SHEET 2 OF 3
	ENG APPR. -			

8 7 6 5 4 3 2 1

D
C
B
A

D
C
B
A



20050-012 SHOWN
SEE SHEET 1 OF 3 FOR BILL OF MATERIALS

 2427 SE DIXIE HIGHWAY STUART FLORIDA 34996 USA (772) 283-1609 (800) 316-6426 FAX (772) 283-4611	DRAWN -	SIZE B	DRAWING NO. FM20050	REV K
	CHECKED -			
	ENG APPR. -	WGT: 562.27 LBS	SCALE: 1:12	SHEET 3 OF 3

8 7 6 5 4 3 2 1