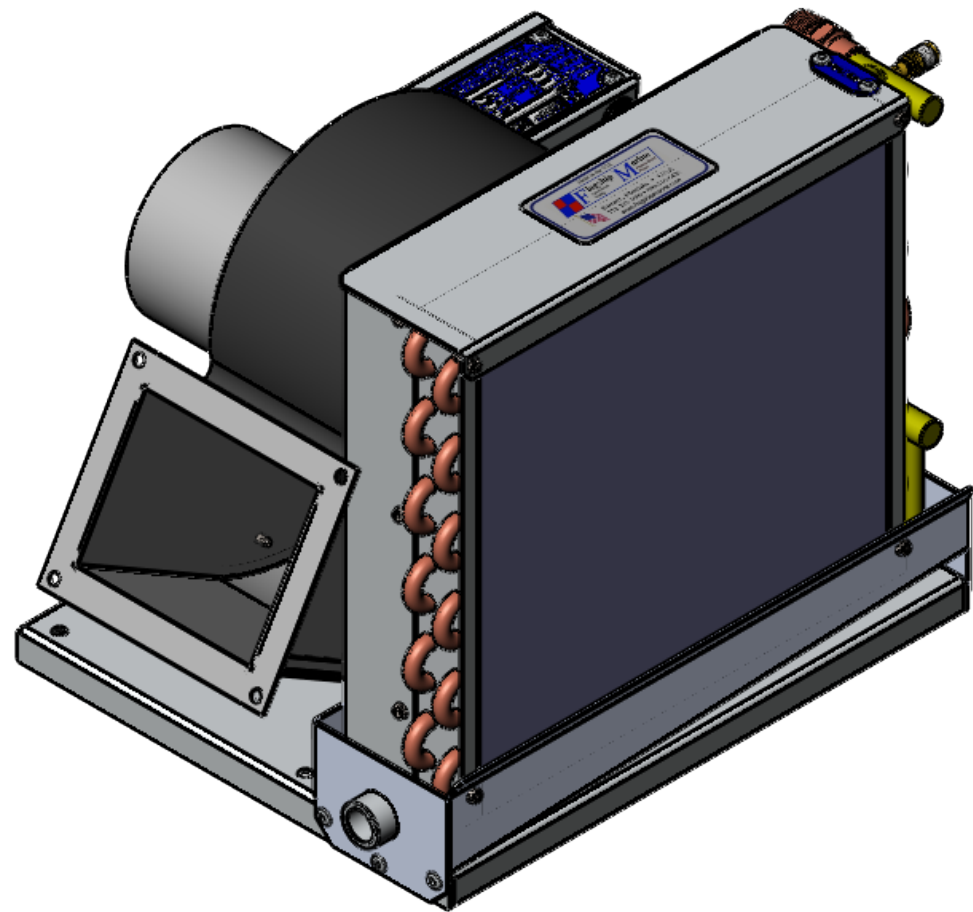


PART NUMBER	DESCRIPTION
20080-001	ASSEMBLY, CHILLED WATER, FAN COIL, FM16CWFC, 120V SIDE
20080-002	ASSEMBLY, CHILLED WATER, FAN COIL, FM16CWFC, 230V SIDE
20080-003	ASSEMBLY, CHILLED WATER, FAN COIL, FM16CWFC, 120V TOP
20080-004	ASSEMBLY, CHILLED WATER, FAN COIL, FM16CWFC, 230V SIDE
20080-011	ASSEMBLY, CHILLED WATER, FAN COIL, FM16CWFC, 120V SIDE, WITH HEAT OPTION
20080-012	ASSEMBLY, CHILLED WATER, FAN COIL, FM16CWFC, 230V SIDE, WITH HEAT OPTION
20080-013	ASSEMBLY, CHILLED WATER, FAN COIL, FM16CWFC, 120V TOP, WITH HEAT OPTION
20080-014	ASSEMBLY, CHILLED WATER, FAN COIL, FM16CWFC, 230V TOP, WITH HEAT OPTION

FLAGSHIP MARINE, INC.				
REV.	ZONE	DESCRIPTION	DATE	ENG APPROVAL
C		MULTIPLE CORRECTIONS, DRAWING UPDATE	10/26/2017	
D		SHROUD CORRECTION	2/7/2018	
E		ADDED CALL-OUT TO DRAWING	3/19/2018	



34	-	-	1	1	-	-	1	1	80907-002	WELDMENT, DRY DRAIN PAN, EVAPORATOR, CHILLED WATER, FAN COIL, FM12CWFC, FM16CWFC & FM18CWFC, TOP
33	1	1	-	-	1	1	-	-	80907-001	WELDMENT, DRY DRAIN PAN, EVAPORATOR, CHILLED WATER, FAN COIL, FM12CWFC, FM16CWFC & FM18CWFC, SIDE
32	1	1	1	1	1	1	1	1	70999-001	TAG, WATER IN, ANODIZED, ETCHED
31	1	1	1	1	1	1	1	1	70998-001	TAG, WATER OUT, ANODIZED, ETCHED
30	1	1	1	1	1	1	1	1	70995-001	TAG, AIR PURGE VALVE, ANODIZED, ETCHED
29	-	-	1	1	-	-	1	1	70916-004	FABRICATION, SHROUD, EVAPORATOR, CHILLED WATER, FAN COIL, TOP, FM16CWFC
28	1	1	-	-	1	1	-	-	70916-002	FABRICATION, SHROUD, EVAPORATOR, CHILLED WATER, FAN COIL, SIDE, FM16CWFC
27	-	-	1	1	-	-	1	1	70284-003	FABRICATION, BRACKET, BLOWER, CHILLED WATER, FAN COIL, FMCWFC, TOP
26	1	1	-	-	1	1	-	-	70284-001	FABRICATION, BRACKET, BLOWER, CHILLED WATER, FAN COIL, FMCWFC, SIDE
25	1	1	1	1	1	1	1	1	70283-002	FABRICATION, SUPPORT, BASE, CHILLED WATER, FAN COIL, FMCWFC
24	-	-	1	1	-	-	1	1	70279-004	FABRICATION, BASE, CHILLED WATER, FAN COIL, FM12CWFC & FM16CWFC
23	1	1	-	-	1	1	-	-	70279-001	FABRICATION, BASE, CHILLED WATER, FAN COIL, FM12CWFC & FM16CWFC
22	-	-	-	-	1	1	1	1	70086-001	FABRICATION, LID, ENCLOSURE, HEATER COIL, AIR CONDITIONER, FM9R - FM20R
21	-	-	-	-	1	1	1	1	70085-001	FABRICATION, ENCLOSURE, HEATER COIL, AIR CONDITIONER, FM9R - FM20R
20	A/R	A/R	A/R	A/R	A/R	A/R	A/R	A/R	61000-001	INSULATION, 1/8" FOAM PEEL AND STICK
19	4	4	4	4	4	4	4	4	60657-001	WASHER, SPLIT LOCK, M6, SS
18	4	4	4	4	4	4	4	4	60656-001	BOLT, M6 X 1.0 X 12, SS
17	25	25	25	25	25	25	25	25	60532-001	RIVET, 3/16" DIA. .062-.125" GRIP RANGE, AB62A ALUM
16	13	13	13	13	16	16	16	16	1131943	#8-18 X 1/2" HWH #3 PT SELF DRILLING SCREW, 410 SS
15	-	-	-	-	4	4	4	4	60517-001	SCREW, #8-32 X 3/8" PAN HEAD MACHINE SCREW, #2 DRIVE PHILLIPS, 18-8 SS
14	-	-	-	-	1	1	1	1	60504-001	LABEL, CAUTION HIGH VOLTAGE
13	1	1	1	1	1	1	1	1	60500-001	LABEL, FMI MANUFACTURED BY
12	1	1	1	1	1	1	1	1	60211-001	EVAPORATOR, 16K BTU, ALUMINUM/COPPER, 2-ROW
11	-	-	-	-	1	1	1	1	60131-001	GROMMET, 11/16" PUSH-IN LOCKING, NYLON
10	-	-	-	-	1	1	1	1	60062-001	SWITCH, THERMAL LIMIT, 130 DEG. F, NC
9	-	-	-	-	1	-	-	-	60032-002	HEATER ELEMENT, COIL, 45"L, 8MM, 2000W, 240VAC, DBL END THRD BULKHEAD
8	-	-	-	-	1	-	1	1	60032-001	HEATER ELEMENT, COIL, 45"L, 8MM, 2000W, 120VAC, DBL END THRD BULKHEAD
7	-	1	-	1	-	1	-	1	60010-001	BLOWER, PSC, SHADED POLE, 1TDT3, 230V
6	1	-	1	-	1	-	1	-	60006-001	BLOWER, PSC, SHADED POLE, 1TDT2, 115V
5	2	2	2	2	2	2	2	2	40142-001	FITTING, 1/2"x3/4" MNPT, COPPER, 30316, 104R
4	1	1	1	1	1	1	1	1	40102-001	VALVE, 1/4" STANDARD SERVICE, CAP W/RUBBER O-RING
3	A/R	A/R	A/R	A/R	A/R	A/R	A/R	A/R	30230-001	LOOM, SPLIT-TYPE, BLUE TRACER, 1/2", 1100', M125-0120-A
2	-	-	-	-	1	1	-	-	20017-002	ASSEMBLY, CONTROL BOX, CHILLED WATER, FAN COIL, WITH OPTIONAL HEAT, 9K-36K UNIVERSAL
1	1	1	1	1	-	-	1	1	20017-001	ASSEMBLY, CONTROL BOX, CHILLED WATER, FAN COIL, 9K-36K UNIVERSAL

ITEM NO.	QTY	DESCRIPTION	PART NUMBER					
001	002	003	004	011	012	013	014	

FLAGSHIP MARINE, INC. BILL OF MATERIALS			
UNLESS OTHERWISE SPECIFIED:	NAME	DATE	TITLE
DIMENSIONS ARE IN INCHES	SWC	4/29/2009	ASSEMBLY, CHILLED WATER, FAN COIL, FM16CWFC, 120V SIDE
TOLERANCES:	TCM	-	PART NO. 20080-001
FRACTIONS ± 1/32	TCM	-	SIZE DWG. NO. <b>B</b> FM20080
ANG: MACH ± 0°30' BEND ± 2°	TCM	-	REV <b>E</b>
DECIMALS .XX ± .01	TCM	-	OLD PART NO. -
.XXX ± .005	TCM	-	SCALE: 1:4 WGT: 34.80 LBS SHEET 1 OF 3
HOLE Ø .XX ± .005	TCM	-	
INTERPRET GEOMETRIC TOLERANCING PER: ASME Y14.5M	Q.A.	EAS	
MATERIAL	PERP	± .003/IN	
FINISH	STRAIGHTNESS	± .005/IN	
	FLATNESS	± .005/IN	
	THREADS:	EXTERNAL - CLASS 2A	
		INTERNAL - CLASS 2B	
		MACHINED SURFACES: √ U.O.S	
NEXT ASSY	USED ON		
APPLICATION	DO NOT SCALE DRAWING		

**Flagship Marine**  
 FLAGSHIP MARINE, INC.  
 2427 SE DIXIE HIGHWAY  
 STUART | FLORIDA | 34996 | USA  
 (772) 283-1609 | (800) 319-6426  
 FAX (772) 283-4611

**PROPRIETARY AND CONFIDENTIAL**

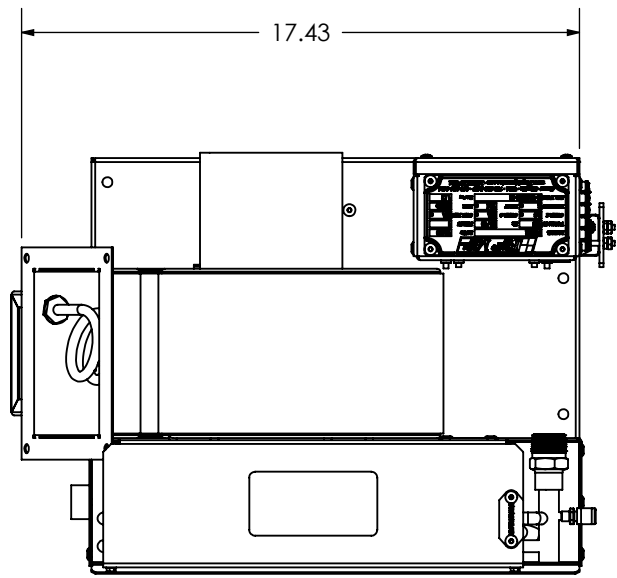
THIS DOCUMENT CONTAINS INFORMATION PROPRIETARY TO FLAGSHIP MARINE, INC. NO PART MAY BE REPRODUCED, USED IN ANY FORM, OR STORED ELECTRONICALLY WITHOUT THE WRITTEN PERMISSION OF FLAGSHIP MARINE, INC.

2. PREFERRED LIMITS AND FITS PER ANSI B4.1 (INCHES).  
 1. DIMENSIONING & TOLERANCING PER ASME Y14.5M.  
 NOTES:

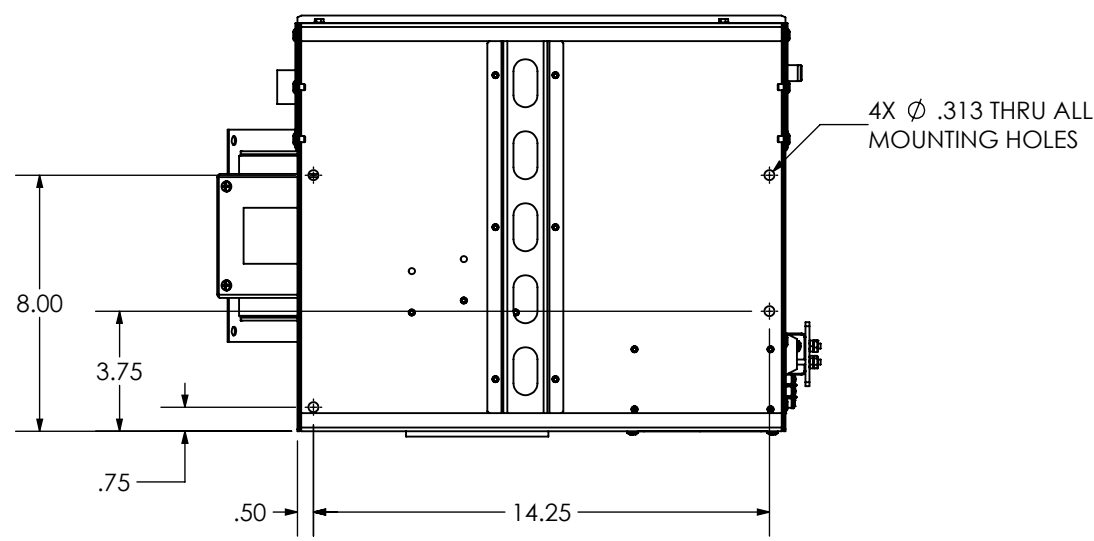
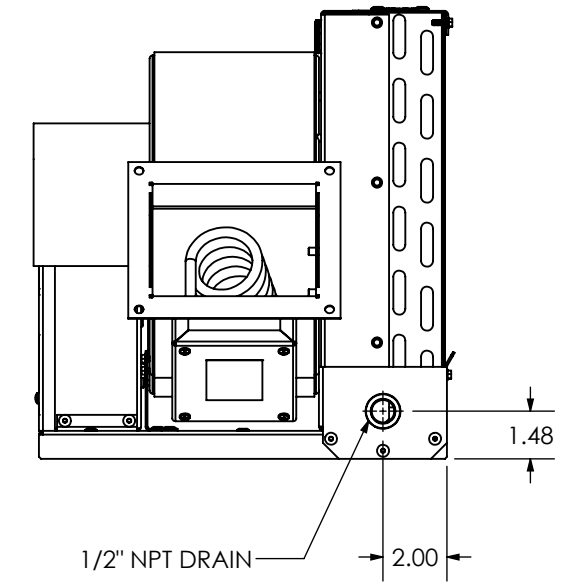
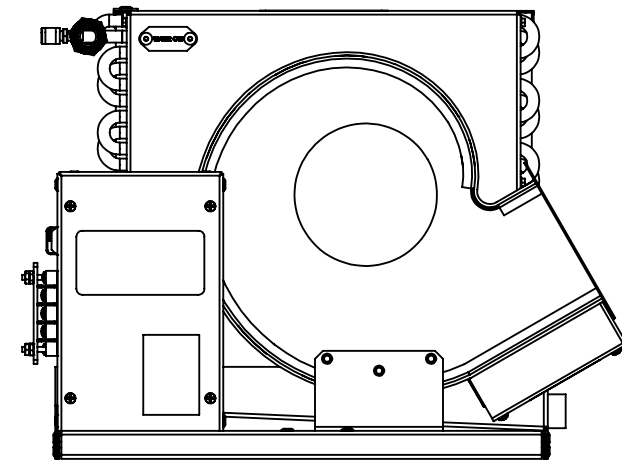
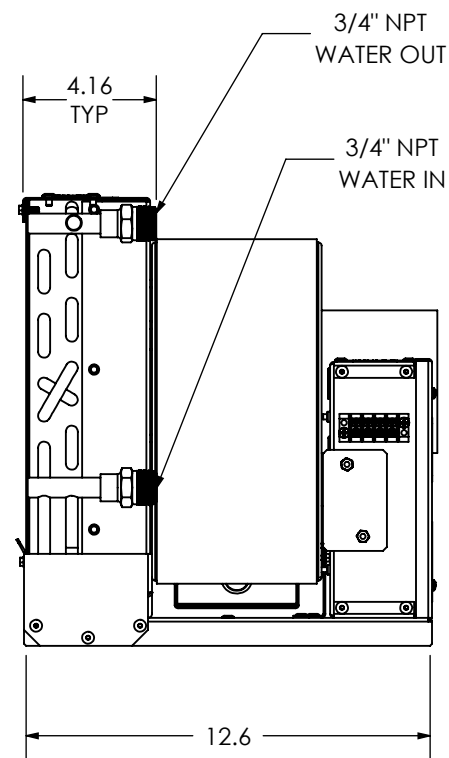
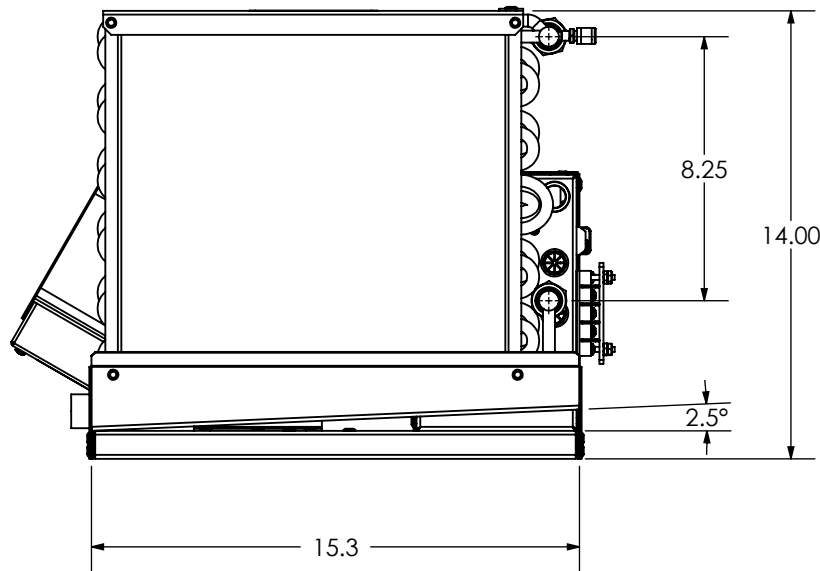
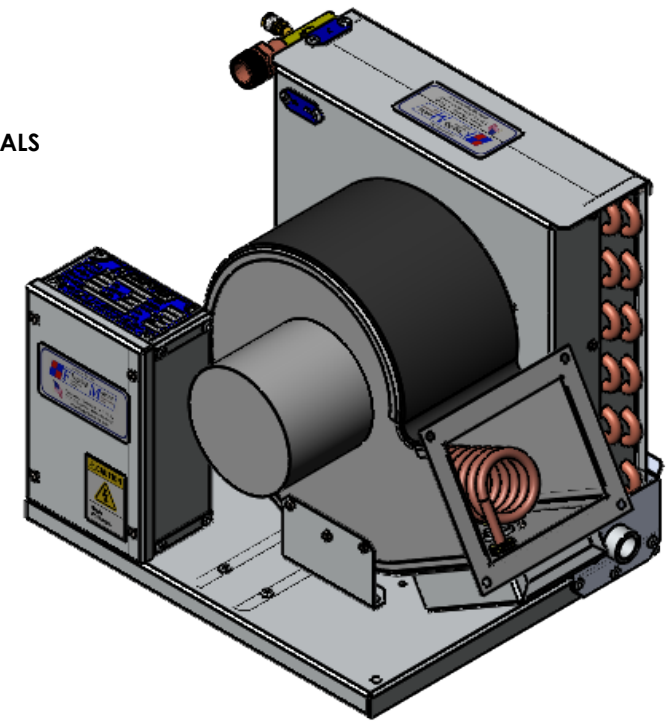
8 7 6 5 4 2 1

D  
C  
B  
A


D  
C  
B  
A

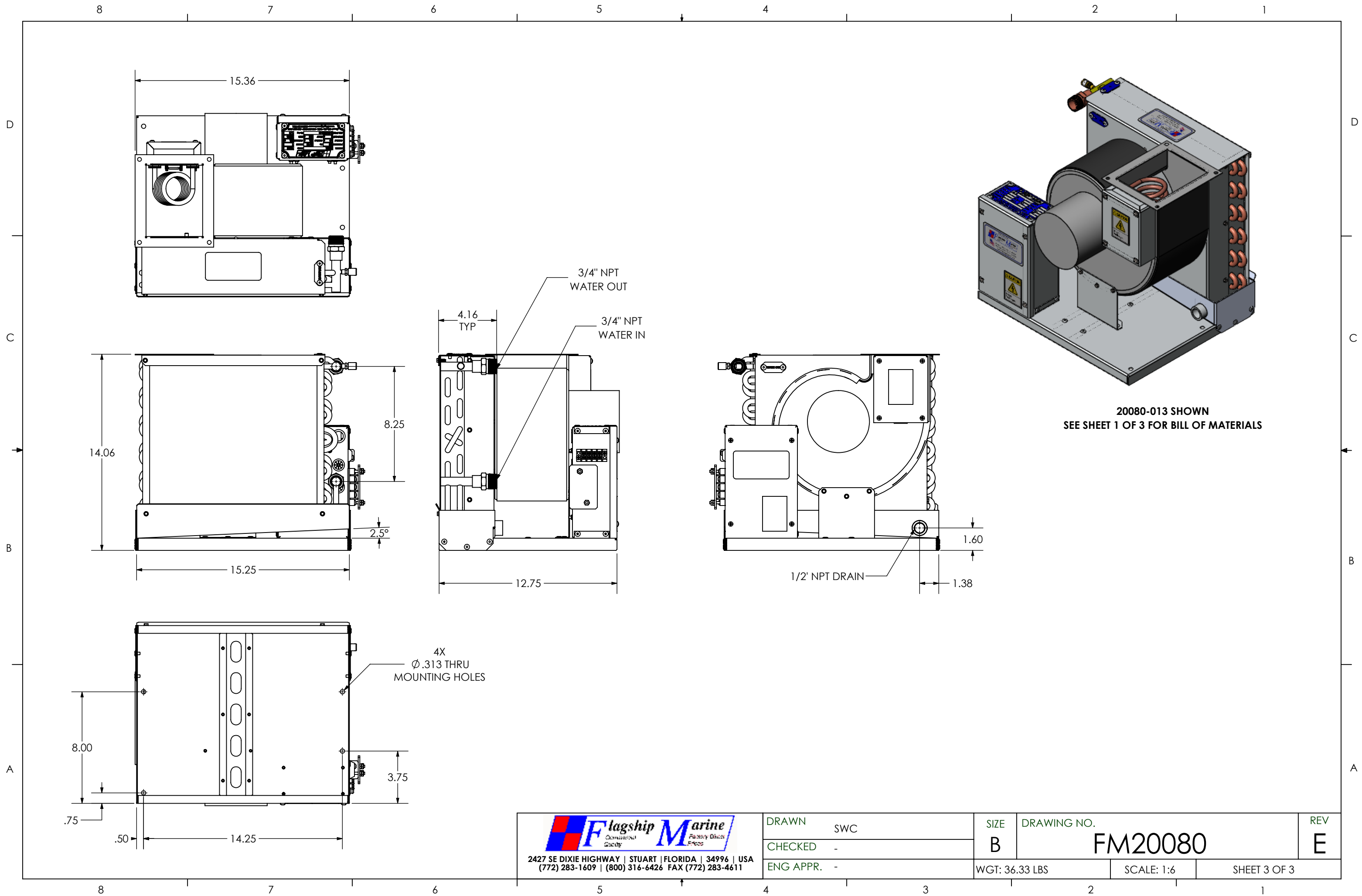


20080-011 SHOWN  
SEE SHEET 1 OF 3 FOR BILL OF MATERIALS



8 7 6 5 4 3 2 1

 2427 SE DIXIE HIGHWAY   STUART   FLORIDA   34996   USA (772) 283-1609   (800) 316-6426 FAX (772) 283-4611	DRAWN	SWC	SIZE	DRAWING NO.	REV
	CHECKED	-	B	FM20080	E
	ENG APPR.	-	WGT: 36.55 LBS	SCALE: 1:6	SHEET 2 OF 3



20080-013 SHOWN  
SEE SHEET 1 OF 3 FOR BILL OF MATERIALS

**Flagship Marine**  
COMMERCIAL QUALITY PERFORMANCE RELIABILITY  
 2427 SE DIXIE HIGHWAY | STUART | FLORIDA | 34996 | USA  
 (772) 283-1609 | (800) 316-6426 FAX (772) 283-4611

DRAWN	SWC	SIZE	DRAWING NO.	REV
CHECKED	-	B	FM20080	E
ENG APPR.	-	WGT: 36.33 LBS	SCALE: 1:6	SHEET 3 OF 3