

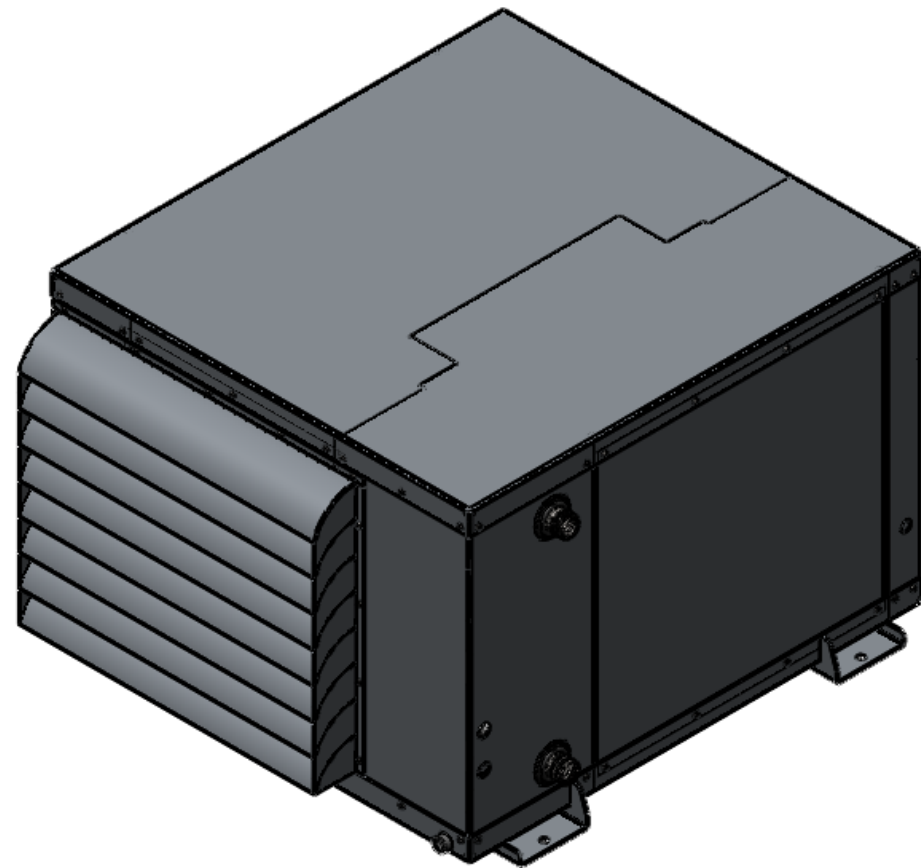
PART NUMBER	DESCRIPTION
20170-001	ASSEMBLY, SELF CONTAINED, AIR COOLED, CHILLER UNIT, FM60CWAC, 240V
20170-002	ASSEMBLY, SELF CONTAINED, AIR COOLED, CHILLER UNIT, FM60CWAC, 460V

FLAGSHIP MARINE, INC.				
REV.	ZONE	DESCRIPTION	DATE	ENG APPROVAL
01	-	INITIAL CHECK-IN	5/18/2012	-

2. PREFERRED LIMITS AND FITS PER ANSI B4.1 (INCHES).

1. DIMENSIONING & TOLERANCING PER ASME Y14.5M.

NOTES:



36	V6-414080-170	REVERSING VALVE LESS COIL, V6-414080-170, RANCO	1	1
35	HPC-104-S	FILTER DRIER, REVERSIBLE, LIQUID LINE, TYPE HPC-104-S, CATCH-ALL	1	1
34	FM60265	COMPRESSOR, SCROLL, 1PH, 60 Hz, 208-230V	1	1
33	FM60205	EVAPORATOR, CHILLED WATER, FM48CW & FM60CW	1	1
32	8C375MXPS	#8-32 x 3/8" PHMS 18-8 SS	4	4
31	80226-002	WELDMENT, FAN HUB, 5/8IN SHAFT WITH KEYWAY	1	1
30	80186-001	WELDMENT, BASE, SELF CONTAINED, AIR COOLED, CHILLER UNIT, FM60CWAC	1	1
29	80059-001	WELDMENT, PANEL, LOUVER, SELF CONTAINED, AIR COOLED, UNIVERSAL	1	3
28	70628-001	FABRICATION, BRACKET, ENCLOSURE, LOW VOLTAGE, SELF CONTAINED, AIR COOLED, CHILLER UNIT, FM60CWAC	1	1
27	70627-002	FABRICATION, BRACKET, EVAPORATOR, SELF CONTAINED, AIR COOLED, CHILLER UNIT, FM60CWAC	1	1
26	70626-002	FABRICATION, PANEL, CLOSEOUT, SELF CONTAINED, AIR COOLED, CHILLER UNIT, FM60CWAC	1	1
25	70626-001	FABRICATION, PANEL, CLOSEOUT, SELF CONTAINED, AIR COOLED, CHILLER UNIT, FM60CWAC	1	1
24	70625-001	FABRICATION, PANEL, ACCESS, SELF CONTAINED, AIR COOLED, CHILLER UNIT, FM60CWAC	1	1
23	70624-001	FABRICATION, PANEL, BIVECTOR, SELF CONTAINED, AIR COOLED, CHILLER UNIT, FM60CWAC	1	1
22	70623-002	FABRICATION, PANEL, CORNER, SELF CONTAINED, AIR COOLED, CHILLER UNIT, FM60CWAC	1	1
21	70623-001	FABRICATION, PANEL, CORNER, SELF CONTAINED, AIR COOLED, CHILLER UNIT, FM60CWAC	1	1
20	70621-001	FABRICATION, LID, SELF CONTAINED, AIR COOLED, CHILLER UNIT, FM60CWAC	1	1
19	70553-002	FABRICATION, PANEL, CORNER, SELF CONTAINED, AIR COOLED, FM60AC	1	1
18	70553-001	FABRICATION, PANEL, CORNER, SELF CONTAINED, AIR COOLED, FM60AC	1	1
17	70448-001	FABRICATION, PANEL, FAN, SELF CONTAINED, AIR COOLED, FM48AC & FM60AC	1	1
16	6359K37	GROMMET, SNAP-IN SEALING, 1.25" PIPE, FITS 1.62" TO 1.75" PIPE DIA.	2	2
15	60533-001	RIVET, 3/16" DIA. .062-.125" GRIP RANGE, SSB6-2S	31	31
14	60301-001	MOTOR GP, CSCR, 1 HP, 1140, 115/230, TEFC, 56H	1	-
13	60216-001	EVAPORATOR, 36000 MBTU, 17.50HX18.13W, 3 ROW	4	4
12	60131-001	GROMMET, 11/16" PUSH-IN LOCKING, NYLON	2	2
11	60071-001	STANDOFF, .385 ID X 1.406 OD X 1.00 THK, 70 DURO EPDM BLACK	4	4
10	60070-001	WASHER, .385 ID X 1.406 OD X .25 THK, 60 DURO EPDM BLACK	4	4
9	60025-001	FAN, 5-BLADE, 1140 RPM, CW, 22", D33"P	1	1
8	4830K189	1 1/4" NPT NIPPLE, 7"L, 304 SS	2	2
7	4464K66	1 1/4" NPT COUPLING, 304 SS	2	2
6	37NWLOS	3/8 LOCK WASHER SS	8	8
5	37N125WFES	3/8 X 1-1/4 FENDER WASHER SS	8	8
4	37CNFHS	3/8 HEX FINISH NUT SS	8	8
3	20016-001	ASSEMBLY, CONTROL BOX, SELF CONTAINED, A/C, SINGLE PHASE, 48K-120K UNIVERSAL	1	1
2	20014-001	ASSEMBLY, ENCLOSURE, LOW VOLTAGE, CHILLERS	1	1
1	1131943	#8-18 X 1/2" HWH #3 PT SELF DRILLING SCREW, 410 SS	119	119

PRELIMINARY - UNRELEASED
CHANGES WILL NOT BE RECORDED
Friday, May 18, 2012

ITEM NO.	PART NUMBER	DESCRIPTION	20170-001/QTY.	20170-002/QTY.
----------	-------------	-------------	----------------	----------------

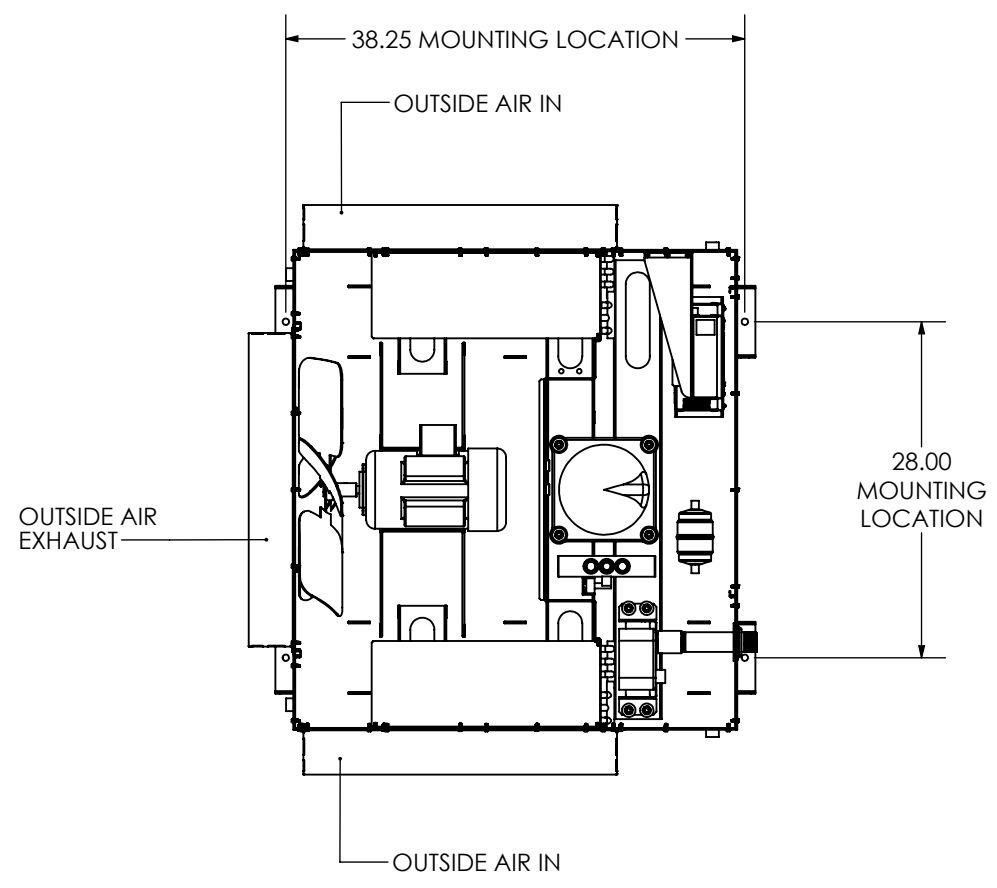
FLAGSHIP MARINE, INC. BILL OF MATERIALS

<p>FLAGSHIP MARINE, INC. 2427 SE DIXIE HIGHWAY STUART FLORIDA 34996 USA (772) 283-1609 (800) 316-6426 FAX (772) 283-4611</p> <p>PROPRIETARY AND CONFIDENTIAL</p> <p>THIS DOCUMENT CONTAINS INFORMATION PROPRIETARY TO FLAGSHIP MARINE, INC. NO PART MAY BE REPRODUCED, USED IN ANY FORM, OR STORED ELECTRONICALLY WITHOUT THE WRITTEN PERMISSION OF FLAGSHIP MARINE, INC.</p>	-	-	UNLESS OTHERWISE SPECIFIED: DIMENSIONS ARE IN INCHES TOLERANCES: FRACTIONS ± 1/32 ANG: MACH ± 0°30' BEND ± 2° DECIMALS .XX ± .01 .XXX ± .005 HOLE Ø .XX ± .005	DRAWN	SWC	10/16/2009	<p>TITLE: ASSEMBLY, SELF CONTAINED, AIR COOLED, CHILLER UNIT, FM60CWAC</p> <p>PART NO. 20170-0XX</p> <p>SIZE B DWG. NO. FM20170 REV 01</p> <p>OLD PART NO. -</p> <p>SCALE: 1:16 WGT: 930.80 LBS SHEET 1 OF 2</p>
	-	-	INTERPRET GEOMETRIC TOLERANCING PER: ASME Y14.5M	CHECKED	TCM	-	
	-	-	MATERIAL	ENG APPR.	TCM	-	
	-	-	FINISH	MFG APPR.	TCM	-	
-	-	PERP STRAIGHTNESS .003/IN FLATNESS .005/IN THREADS: EXTERNAL - CLASS 2A INTERNAL - CLASS 2B MACHINED SURFACES: ✓ U.O.S	Q.A.	EAS	-		
-	-	APPLICATION	DO NOT SCALE DRAWING				

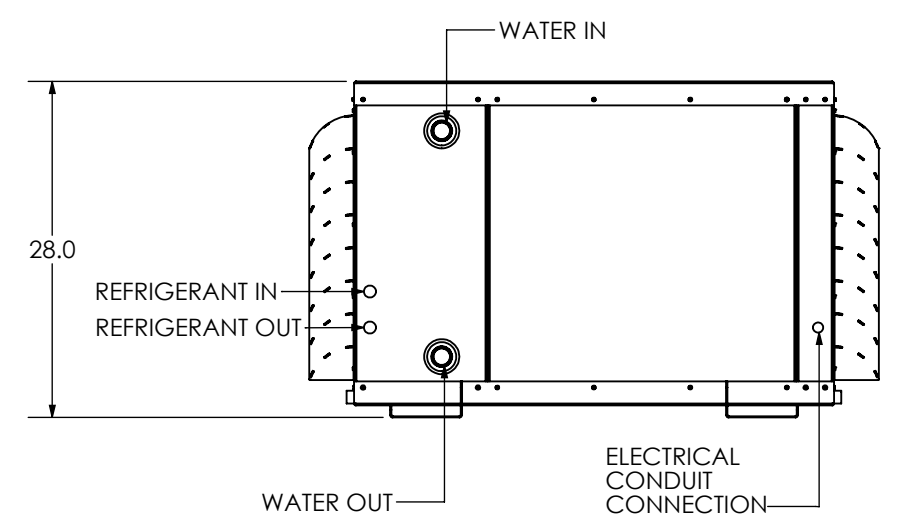
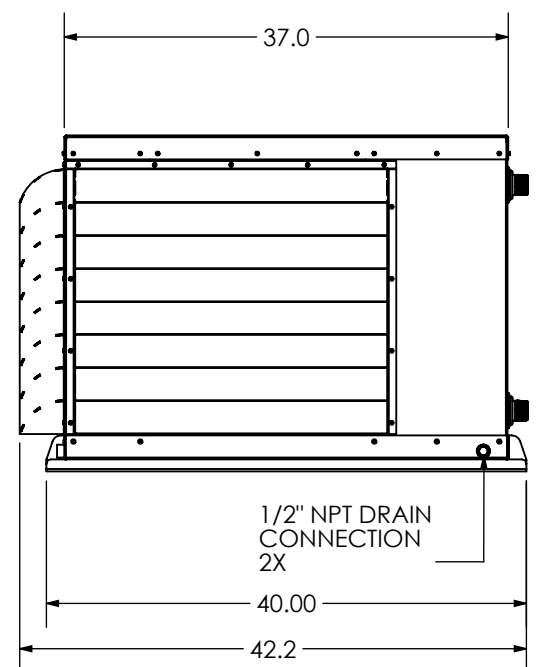
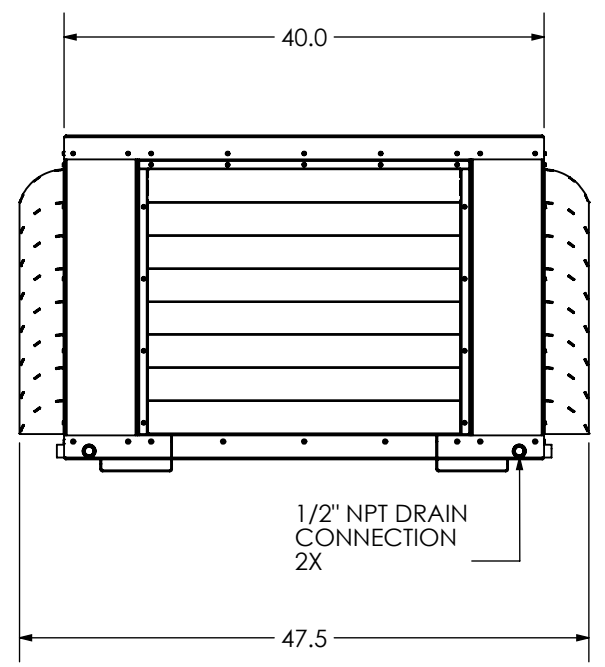
8 7 6 5 4 2 1

D
C
B
A

D
C
B
A



TOP VIEW
WITH LID REMOVED FOR CLAIRITY



Flagship Marine
Commercial Quality Factory Direct Prices

2427 SE DIXIE HIGHWAY | STUART | FLORIDA | 34996 | USA
(772) 283-1609 | (800) 316-6426 FAX (772) 283-4611

DRAWN -	SIZE B	DRAWING NO. FM20170	REV 01
CHECKED -	WGT: 930.80 LBS	SCALE: 1:16	SHEET 2 OF 2
ENG APPR. -			

8 7 6 5 4 3 2 1