

FLAGSHIP MARINE, INC.				
REV.	ZONE	DESCRIPTION	DATE	ENG APPROVAL
02	-	ADDED 70363-001; ADDED 4X 70172-001; ADDED 4X 70373-001; 2X SHORTENED 70365-001; RELOCATED CHILLED WATER IN AND OUT	3/24/2014	-
03	-	60139-001 WAS 60140-001	4/16/2014	-
04	-	REPLACED PEM FASTENERS WITH NYLON INSERTS	7/28/2015	-

ITEM NO.	PART NUMBER	DESCRIPTION	-001/QTY.	-011/QTY.	-101/QTY.	-111/QTY.	-211/QTY.	ITEM NO.	PART NUMBER	DESCRIPTION	-001/QTY.	-011/QTY.	-101/QTY.	-111/QTY.	-211/QTY.
59	80017-002	WELDMENT, DRAIN PAN, CHILLED WATER, FAN COIL, FM36CWFC-LP-EN	1	1	1	1	1	29	60517-001	SCREW, #8-32 X 3/8" PAN HEAD MACHINE SCREW, #2 DRIVE PHILLIPS, 18-8 SS	4	4	4	4	4
58	80017-001	WELDMENT, DRAIN PAN, CHILLED WATER, FAN COIL, FM36CWFC-LP-EN	1	1	1	1	1	28	60514-001	WASHER, 1/4 SPLIT LOCK, 18-8 SS	6	6	6	6	6
57	80016-001	WELDMENT, DRAIN PAN, CHILLED WATER, FAN COIL, FM36CWFC-LP-EN	1	1	1	1	1	27	60513-001	1/4" X 5/8"OD SAE FLAT WASHER 18-8 SS	8	8	8	8	8
56	70376-001	FABRICATION, 4" X 5"SQ DUCT RING, FM36CWFC-LP-EN	1	1	1	1	1	26	60512-001	WASHER, #8 SPLIT LOCK, 18-8 SS	2	2	2	2	2
55	70375-001	FABRICATION, 6" DUCT RING, FM36CWFC-LP-EN	1	1	1	1	1	25	60510-001	LABEL, CLEAR OVERLAY	1	1	1	1	1
54	70374-001	DETAIL, PLATE, 6" PLENUM CLOSE OUT, FM36CWFC-LP-EN	1	1	1	1	1	24	60506-001	LABEL, DYMO LABEL WRITER DUO, MISC	1	1	1	1	1
53	70371-001	FABRICATION, PANEL, CHILLED WATER, FAN COIL, FM36CWFC-LP-EN	3	3	3	3	3	23	60506-001	LABEL, DYMO LABEL WRITER DUO, MISC	1	1	1	1	1
52	70370-001	ASSEMBLY, COVER, CHILLED WATER, FAN COIL, FM36CWFC-LP-EN	1	1	1	1	1	22	60505-001	LABEL, MADE IN USA	1	1	1	1	1
51	70369-001	FABRICATION, SUPPORT RAIL, CHILLED WATER, FAN COIL, FM36CWFC-LP-EN	3	3	3	3	3	21	60504-001	LABEL, CAUTION HIGH VOLTAGE	1	1	1	1	1
50	70368-002	FABRICATION, CORNER, CHILLED WATER, FAN COIL, FM36CWFC-LP-EN	1	1	1	1	1	20	60500-001	LABEL, FMI MANUFACTURED BY	1	1	1	1	1
49	70368-001	FABRICATION, CORNER, CHILLED WATER, FAN COIL, FM36CWFC-LP-EN	1	1	1	1	1	19	60213-001	EVAPORATOR, 18000LP MBTU, 10HX14W, 3 ROW	1	1	1	1	1
48	70367-001	FABRICATION, BIFECTOR, CHILLED WATER, FAN COIL, FM36CWFC-LP-EN	1	1	1	1	1	18	60139-001	GROMMET, SNAP-IN SEALING, 1/2" PIPE (7/8" TUBE), FITS .82"-.91" PIPE DIA.	2	2	2	2	2
47	70366-002	FABRICATION, CORNER, CHILLED WATER, FAN COIL, FM36CWFC-LP-EN	1	1	1	1	1	17	60134-001	TERMINAL BLOCK, 100 SERIES, KULKA 670A GP SERIES, 150V, 4 POLE	1	1	1	1	1
46	70366-001	FABRICATION, CORNER, CHILLED WATER, FAN COIL, FM36CWFC-LP-EN	1	1	1	1	1	16	60132-001	GROMMET, ALL-FIT ADJUSTABLE, PUSH IN LOCKING, NYLON	2	2	2	2	2
45	70363-001	FABRICATION, PLATE, PLENUM CLOSE-OUT, CHILLED WATER, FAN COIL, FM36CWFC-LP-EN	1	1	1	1	1	15	60131-001	GROMMET, 11/16" PUSH-IN LOCKING, NYLON	-	2	-	2	2
44	70172-001	FABRICATION, 8" DUCT RING	4	4	4	4	4	14	60129-001	TERMINAL BLOCK, 300 SERIES, KULKA 672A GP SERIES, 600V, 3 POLE	1	1	1	1	1
43	70133-001	FABRICATION, BRACKET, BLOWER, AIR CONDITIONER, FM18R-LP	2	2	2	2	2	13	60062-001	THERMAL LIMIT SWITCH, 130 DEGREE	-	2	-	2	2
42	70086-001	FABRICATION, LID, ENCLOSURE, HEATER COIL, AIR CONDITIONER, FM9R - FM20R	-	2	-	2	2	12	60032-003	HEATER ELEMENT, COIL, 45"L, 8MM, 2000W, 277VAC, DBL END THRD BULKHEAD	-	-	-	-	2
41	70085-001	FABRICATION, ENCLOSURE, HEATER COIL, AIR CONDITIONER, FM9R - FM20R	-	2	-	2	2	11	60032-002	HEATER ELEMENT, COIL, 45"L, 8MM, 2000W, 240VAC, DBL END THRD BULKHEAD	-	-	-	2	-
40	60652-001	SCREW, #8-32 X 1" - #2 DRIVE TRUSS HEAD PHILLIPS, 18-8 SS	12	12	12	12	12	10	60032-001	HEATER ELEMENT, COIL, 45"L, 8MM, 2000W, 120VAC, DBL END THRD BULKHEAD	-	2	-	-	-
39	60649-001	SCREW, #8-32 X 3/8" - #2 DRIVE TRUSS HEAD PHILLIPS, 18-8 SS	16	16	16	16	16	9	60010-001	BLOWER, PSC, SHADED POLE, 1TDT3, 230V	-	-	2	2	2
38	60623-001	BOLT, 1/4-20 X 1/2", SS	8	8	8	8	8	8	60006-001	BLOWER, PSC, SHADED POLE, 1TDT2, 115V	2	2	-	-	-
37	60581-001	#8-32 X 5/8" PHMS 18-8 SS	2	2	2	2	2	7	5520K226	SOLDER-JOINT COPPER TUBE FITTING, REDUCER, 3/4" X 1/2"	1	2	1	1	1
36	60572-001	SCREW, #8-32 X 1 1/4" PAN HEAD MACHINE SCREW, #2 DRIVE PHILLIPS, 18-8 SS	2	2	2	2	2	6	5520K127	SOLDER-JOINT COPPER TUBE FITTING, REDUCING ADAPTER, 5/8" TUBE, 3/4" NPT	2	2	2	2	2
35	60536-001	NUT, 1/4-20 FINISH NUT SS	8	8	8	8	8	5	50045-001	MODIFICATION, EVAPORATOR, 18000LP MBTU, 10HX14W, 3 ROW	1	1	1	1	1
34	60533-001	RIVET, 3/16" DIA. .062-.125" GRIP RANGE, SSB6-2S	42	42	42	42	42	4	50001-001	DETAIL, COVER, PROTECTIVE, TERMINAL BLOCK, 30A, 3 POS	1	1	1	1	1
33	60527-001	SELF TAP, #8 X 1/2 HWH SELF DRILL 18-8 SS	40	40	40	40	40	3	30125-001	TRANSFORMER, .5KVCA, PRI: 277, SEC: 120/240	-	-	-	-	1
32	60526-001	NUT, #8-32 MACHINE SCREW NUT 18-8 SS	4	4	4	4	4	2	20017-002	ASSEMBLY, CONTROL BOX, CHILLED WATER, FAN COIL, WITH OPTIONAL HEAT, 9K-36K UNIVERSAL	-	1	-	1	1
31	60521-001	SCREW, #8-32 X 1/2" PAN HEAD MACHINE SCREW, #2 DRIVE PHILLIPS, 18-8 SS	2	2	2	2	2	1	20017-001	ASSEMBLY, CONTROL BOX, CHILLED WATER, FAN COIL, 9K-36K UNIVERSAL	1	-	1	-	-

**FLAGSHIP MARINE, INC. BILL OF MATERIALS**

**FLAGSHIP MARINE, INC. BILL OF MATERIALS**

2. PREFERRED LIMITS AND FITS PER ANSI B4.1 (INCHES).  
 1. DIMENSIONING & TOLERANCING PER ASME Y14.5M.

NOTES:

**Flagship Marine**  
 FLAGSHIP MARINE, INC.  
 2427 SE DIXIE HIGHWAY  
 STUART | FLORIDA | 34996 | USA  
 (772) 283-1609 | (800) 316-6426  
 FAX (772) 283-4611

**PROPRIETARY AND CONFIDENTIAL**  
 THIS DOCUMENT CONTAINS INFORMATION PROPRIETARY TO FLAGSHIP MARINE, INC. NO PART MAY BE REPRODUCED, USED IN ANY FORM, OR STORED ELECTRONICALLY WITHOUT THE WRITTEN PERMISSION OF FLAGSHIP MARINE, INC.

UNLESS OTHERWISE SPECIFIED:	NAME	DATE
DIMENSIONS ARE IN INCHES	SWC	3/19/2014
TOLERANCES:	TCM	-
FRACTIONS ± 1/32	TCM	-
ANG: MACH ± 0°30' BEND ± 2°	TCM	-
DECIMALS .XX ± .01	TCM	-
.XXX ± .005	TCM	-
HOLE Ø .XX ± .005	TCM	-
INTERPRET GEOMETRIC TOLERANCING PER: ASME Y14.5M	EAS	-
MATERIAL	PERP	± .003/IN
FINISH	STRAIGHTNESS	± .005/IN
PRE-ANODIZED	FLATNESS	± .005/IN
THREADS:	EXTERNAL - CLASS 2A	
INTERNAL - CLASS 2B		
MACHINED SURFACES:	U.O.S	

TITLE: FABRICATION, 6" DUCT RING, FM36CWFC-LP-EN

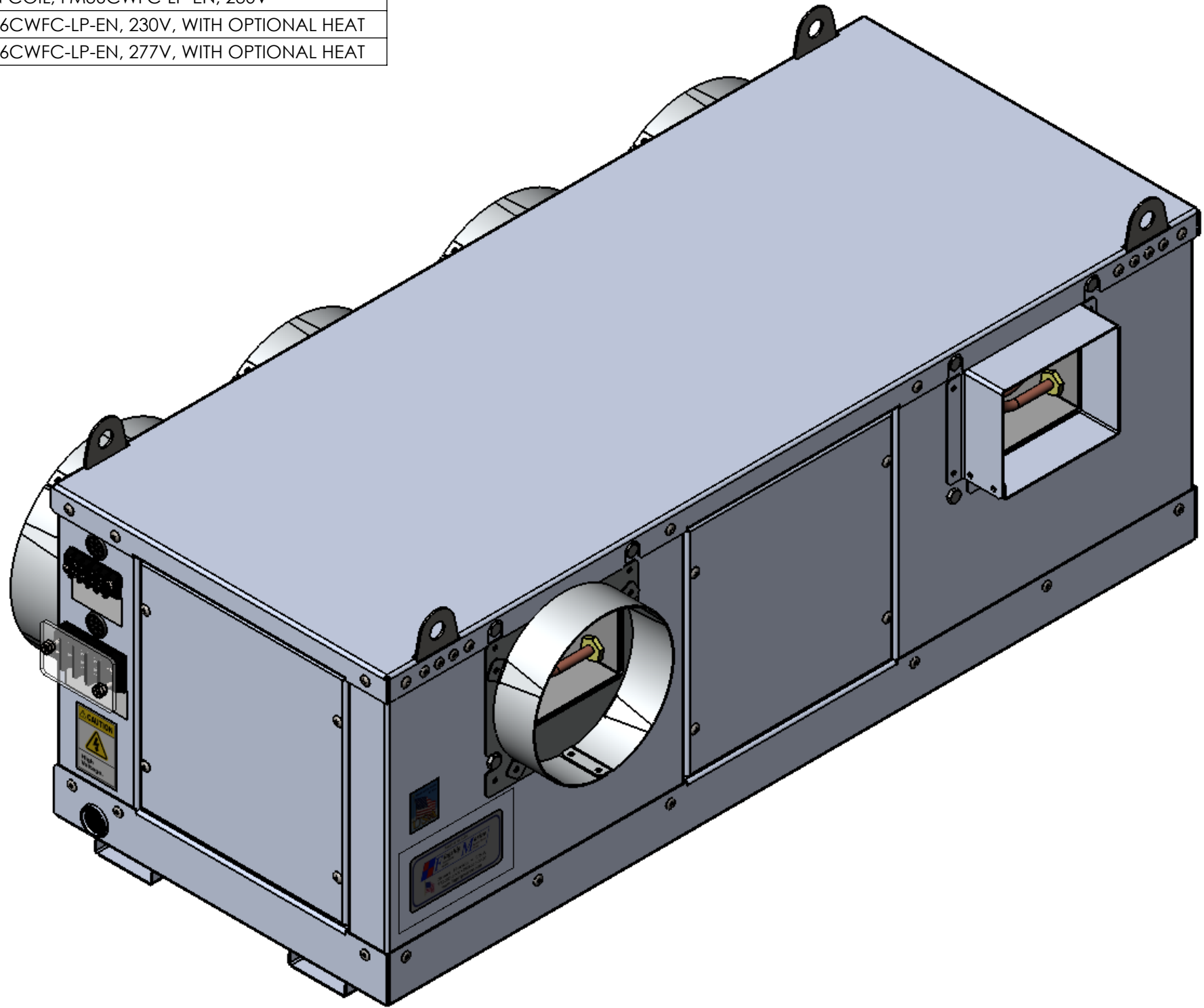
PART NO. 20116-XX1

SIZE **B** DWG. NO. **FM20116** REV **04**

OLD PART NO. -

SCALE: 1:12 WGT: 113.46 LBS SHEET 1 OF 3

PART NUMBER	DESCRIPTION
20116-001	ASSEMBLY, CHILLED WATER, FAN COIL, FM36CWFC-LP-EN, 120V
20116-011	ASSEMBLY, CHILLED WATER, FAN COIL, FM36CWFC-LP-EN, 120V, WITH OPTIONAL HEAT
20116-101	ASSEMBLY, CHILLED WATER, FAN COIL, FM36CWFC-LP-EN, 230V
20116-111	ASSEMBLY, CHILLED WATER, FAN COIL, FM36CWFC-LP-EN, 230V, WITH OPTIONAL HEAT
20116-211	ASSEMBLY, CHILLED WATER, FAN COIL, FM36CWFC-LP-EN, 277V, WITH OPTIONAL HEAT




  
**Flagship Marine**  
COMMERCIAL QUALITY

2427 SE DIXIE HIGHWAY | STUART | FLORIDA | 34996 | USA  
 (772) 283-1609 | (800) 316-6426 FAX (772) 283-4611

DRAWN -	SIZE B	DRAWING NO. FM20116	REV 04
CHECKED -	WGT: 113.46 LBS	SCALE: 1:4	SHEET 2 OF 3
ENG APPR. -			

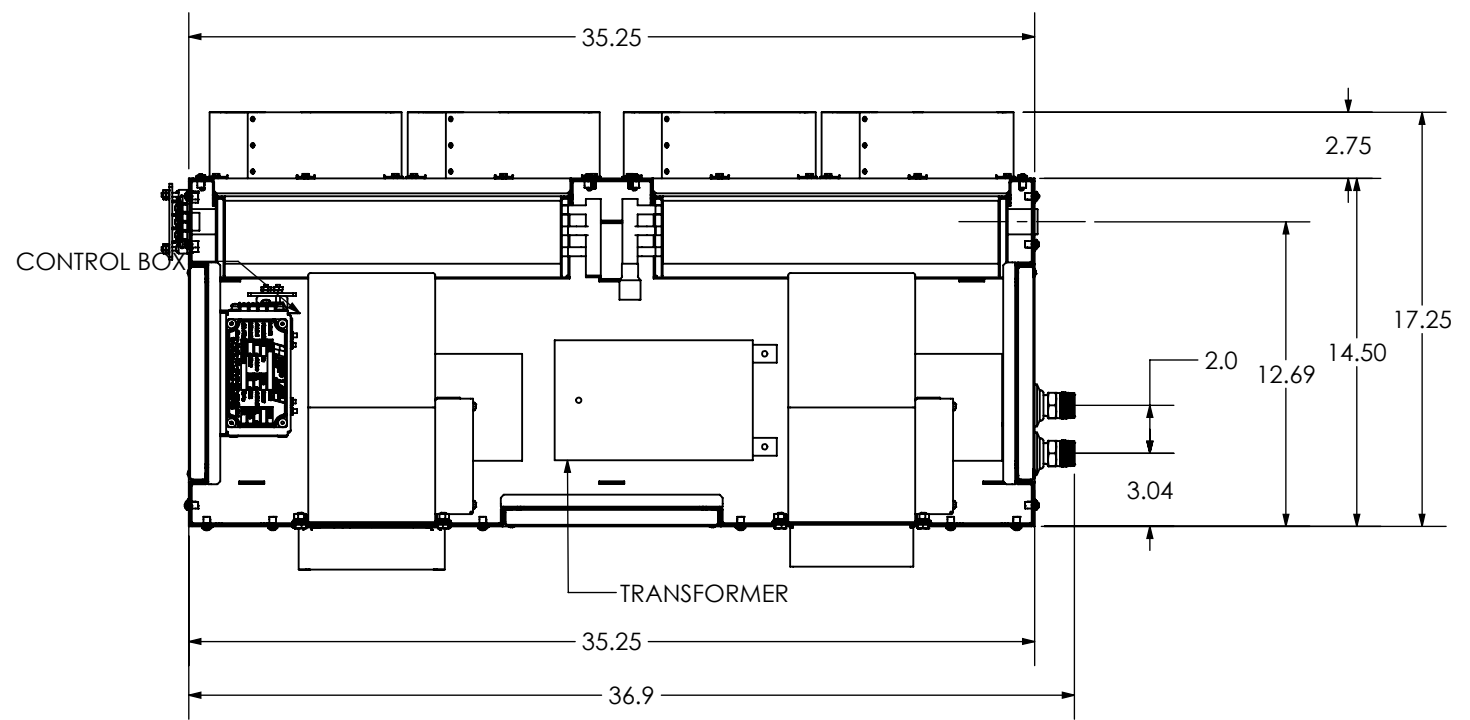
8 7 6 5 4 2 1

D

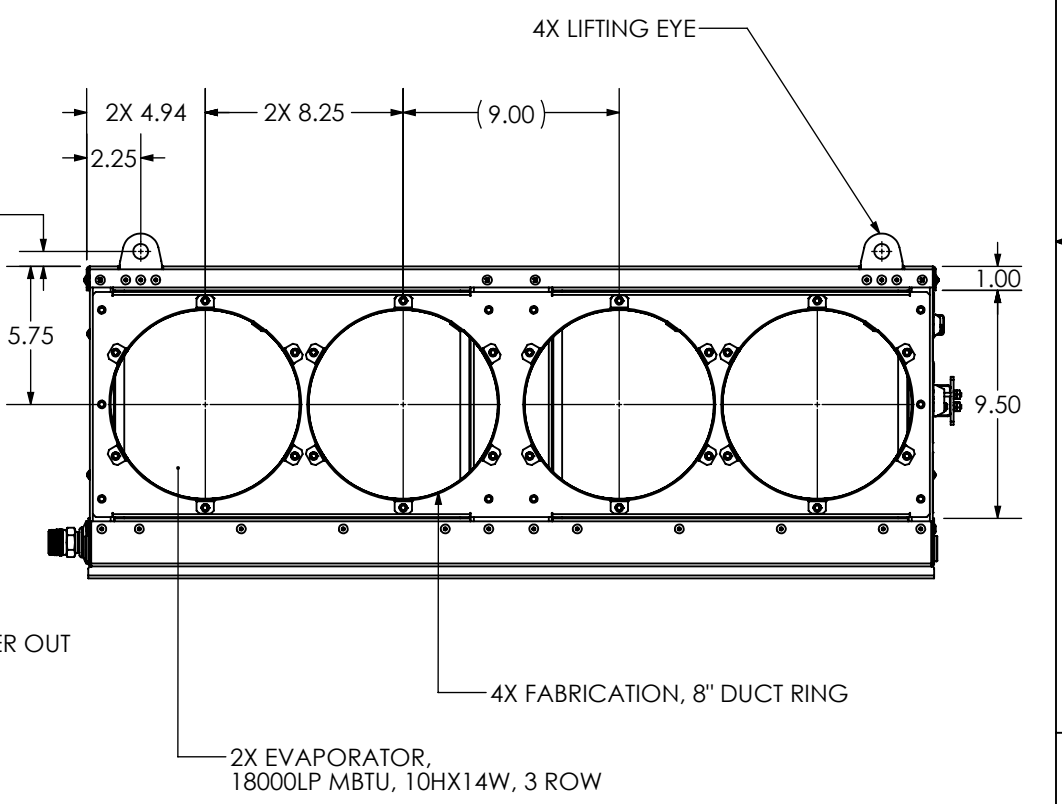
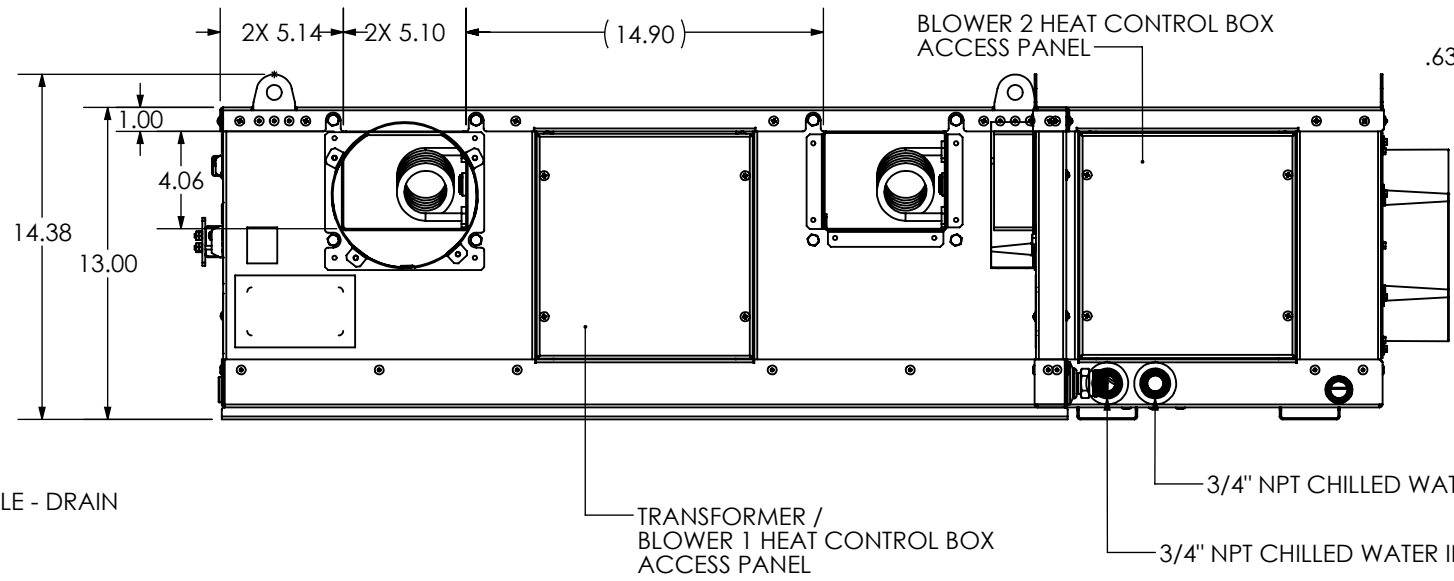
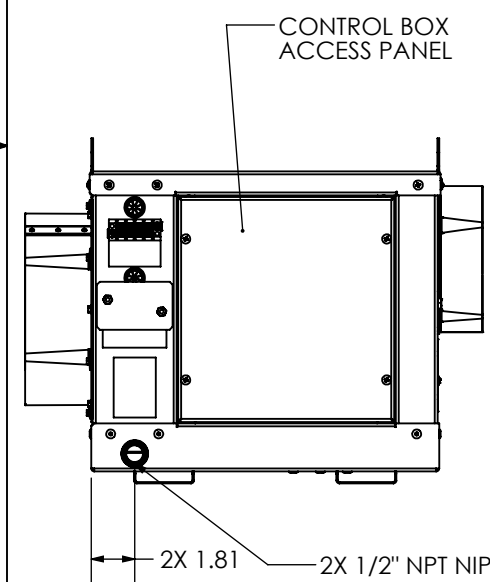
C

B

A



SHOWN WITH COVER REMOVED FOR CLAIRITY



2. PREFERRED LIMITS AND FITS PER ANSI B4.1 (INCHES).  
 1. DIMENSIONING & TOLERANCING PER ASME Y14.5M.  
 NOTES:

 2427 SE DIXIE HIGHWAY   STUART   FLORIDA   34996   USA (772) 283-1609   (800) 316-6426 FAX (772) 283-4611	DRAWN -	SIZE B	DRAWING NO. FM20116	REV 04
	CHECKED -	WGT: 113.46 LBS	SCALE: 1:8	SHEET 3 OF 3
	ENG APPR. -			

8 7 6 5 4 3 2 1