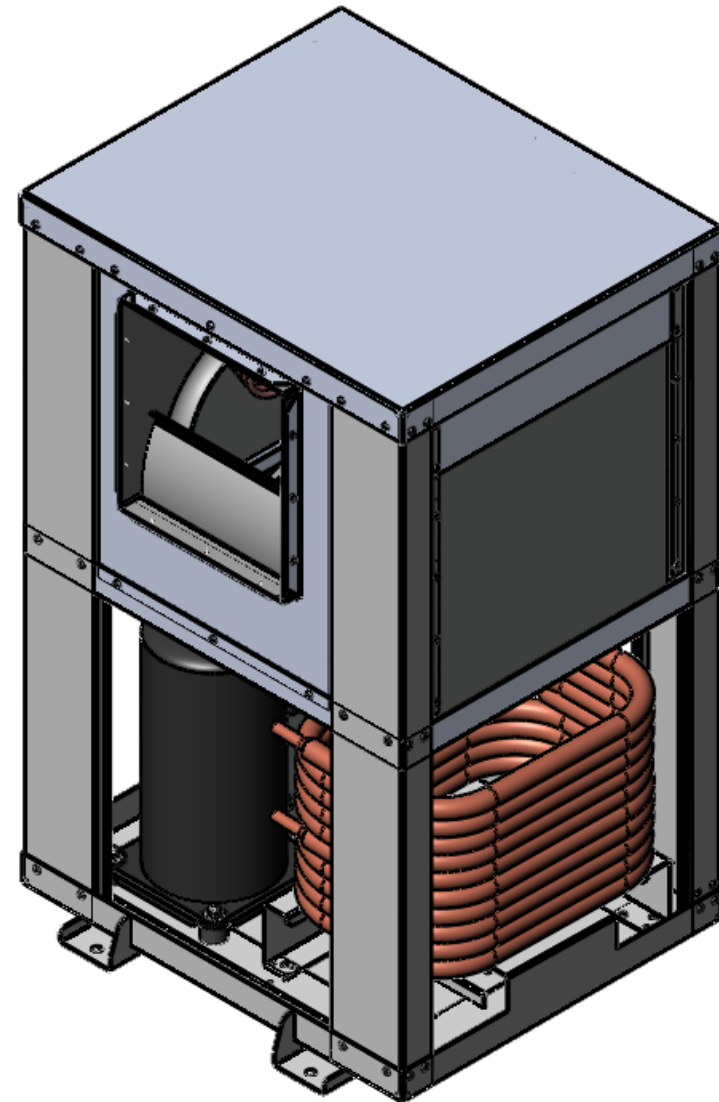


PART NUMBER	DESCRIPTION
20058-001	ASSEMBLY, AIR CONDITIONER FMAC48S-V, SIDE, 230V
20058-011	ASSEMBLY, AIR CONDITIONER FMAC48S-V, SIDE, 230V, WITH OPTIONAL HEAT

FLAGSHIP MARINE, INC.				
REV.	ZONE	DESCRIPTION	DATE	ENG APPROVAL
01		INITIAL CHECK-IN	2/18/2014	
02		FIXED CONFIGURATIONS -011 & -012	7/14/2015	



**20058-011 SHOWN
SEE SHEET 3 OF 4 FOR DIMENSIONS**

30	80051-001	WELDMENT, DRAIN PAN, AIR CONDITIONER, FMAC60S-V	1	1
29	80050-001	WELDMENT, BASE, AIR CONDITIONER, FMAC60S-V	1	1
28	70253-002	ASSEMBLY, PANEL, ACCESS, AIR CONDITIONER, FMAC48S-V	-	1
27	70253-001	ASSEMBLY, PANEL, ACCESS, AIR CONDITIONER, FMAC48S-V	2	1
26	70169-001	FABRICATION, LID, ENCLOSURE, HEATER COIL, AIR CONDITIONER, FM48S - FM180S	-	1
25	70168-001	FABRICATION, ENCLOSURE, HEATER COIL, AIR CONDITIONER, FM48S - FM180S	-	1
24	70164-001	FABRICATION, PANEL, CLOSE OUT, AIR CONDITIONER, FMAC48S-V/FMAC96S-V	2	2
23	70081-002	FABRICATION, BRACKET, BLOWER, FM48/60/72/96	-	2
22	70081-001	FABRICATION, BRACKET, BLOWER, FM48/60/72/96/120/144/180	2	-
21	70065-001	FABRICATION, BRACKET, CONDENSOR, AIR CONDITIONER, FMAC60S-V	1	1
20	70053-012	ASSEMBLY, PANEL, CORNER, AIR CONDITIONER, FMAC60S-V	2	2
19	70053-011	ASSEMBLY, PANEL, CORNER, AIR CONDITIONER, FMAC60S-V	2	2
18	70051-002	FABRICATION, LID, AIR CONDITIONER, FMAC60S-V	-	1
17	70051-001	FABRICATION, LID, AIR CONDITIONER, FMAC60S-V	1	-
16	60655-001	NUT, 3/8-16 FINISH NUT, 18-8 SS	4	4
15	60637-001	WASHER, 3/8 SPLIT LOCK, 18-8 SS	4	4
14	60534-001	WASHER, 3/8 X 1 1/4 FENDER WASHER, 18-8 SS	4	4
13	60533-001	RIVET, 3/16" DIA. .062-.125" GRIP RANGE, SSB6-2S	47	47
12	60527-001	SELF TAP, #8 X 1/2 HWH SELF DRILL 18-8 SS	40	48
11	60517-001	SCREW, #8-32 X 3/8" PAN HEAD MACHINE SCREW, #2 DRIVE PHILLIPS, 18-8 SS	36	40
10	60261-001	COMPRESSOR, SCROLL SERIES ZR42, 1PH, 60 Hz, 208-230V BY COPELAND	1	1
9	60215-001	EVAPORATOR, 24000 MBTU, 16HX17W, 3 ROW	2	2
8	60131-001	GROMMET, 11/16" PUSH-IN LOCKING, NYLON	2	3
7	60071-001	STANDOFF, .385 ID X 1.406 OD X 1.00 THK, 70 DURO EPDM BLACK	4	4
6	60070-001	WASHER, .385 ID X 1.406 OD X .25 THK, 60 DURO EPDM BLACK	4	4
5	60062-001	THERMAL LIMIT SWITCH, 130 DEGREE	-	2
4	60039-001	HEATER ELEMENT, COIL, 66"L, 8MM, 3000W, 240VAC, DBL END THRD BULKHEAD	-	2
3	60014-001	BLOWER, PSC, FORWARD CURVE, DIRECT DRIVE, WHEEL DIA 13", DAYTON 1XJY4	1	1
2	50007-001	DETAIL, TUBING, AIR CONDITIONER, FM60S-V	2	2
1	20016-001	ASSEMBLY, CONTROL BOX, SELF CONTAINED, A/C, 230-460/1/60, 48K-120K UNIVERSAL	1	1

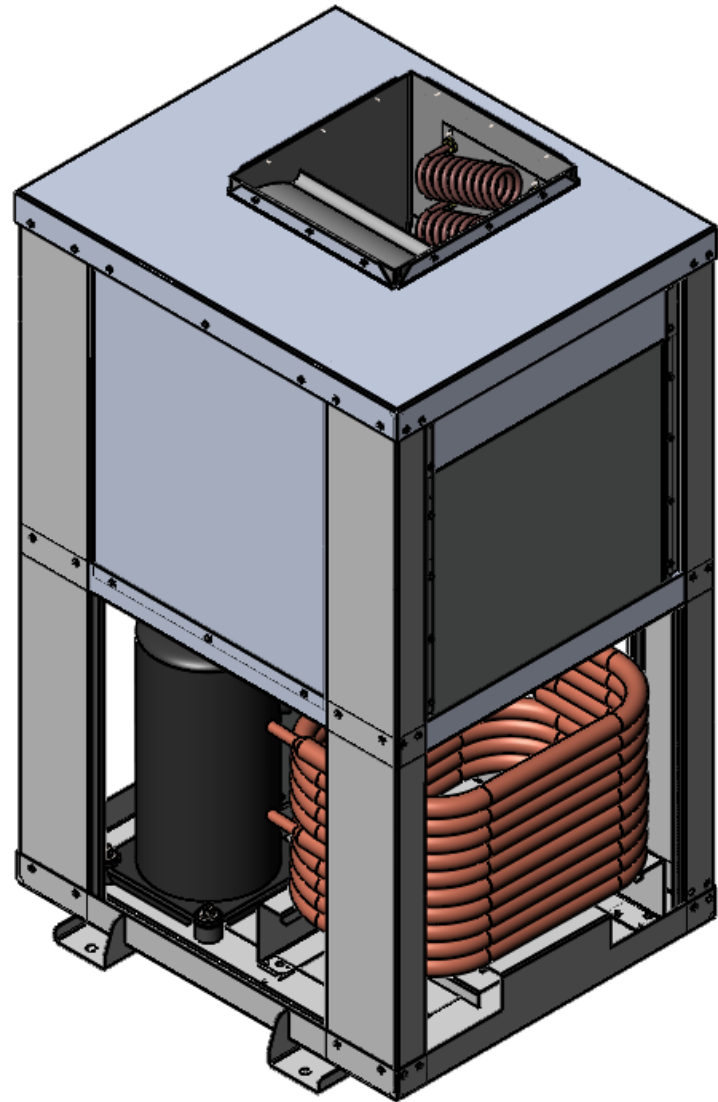
ITEM NO.	PART NUMBER	DESCRIPTION	20058-001/QTY.	20058-011/QTY.
----------	-------------	-------------	----------------	----------------

FLAGSHIP MARINE, INC. BILL OF MATERIALS

<p>FLAGSHIP MARINE, INC. 2427 SE DIXIE HIGHWAY STUART FLORIDA 34996 USA (772) 283-1609 (800) 316-6426 FAX (772) 283-4611</p> <p>PROPRIETARY AND CONFIDENTIAL</p> <p>THIS DOCUMENT CONTAINS INFORMATION PROPRIETARY TO FLAGSHIP MARINE, INC. NO PART MAY BE REPRODUCED, USED IN ANY FORM, OR STORED ELECTRONICALLY WITHOUT THE WRITTEN PERMISSION OF FLAGSHIP MARINE, INC.</p>	-	-	UNLESS OTHERWISE SPECIFIED: DIMENSIONS ARE IN INCHES TOLERANCES: FRACTIONS ± 1/32 ANG: MACH ± 0°30' BEND ± 2° DECIMALS .XX ± .01 .XXX ± .005 HOLE Ø .XX ± .005	DRAWN	SWC	8/2/2010	TITLE: ASSEMBLY, AIR CONDITIONER FMAC48S-V, SIDE PART NO. 20058-0X1 SIZE B DWG. NO. FM20058 REV 02 OLD PART NO. - SCALE: 1:10 WGT: 460.39 LBS SHEET 1 OF 4
	-	-	INTERPRET GEOMETRIC TOLERANCING PER: ASME Y14.5M	CHECKED	TCM	-	
	-	-	MATERIAL	ENG APPR.	TCM	-	
	-	-	FINISH	MFG APPR.	TCM	-	
-	-	PERP STRAIGHTNESS .003/IN FLATNESS .005/IN THREADS: EXTERNAL - CLASS 2A INTERNAL - CLASS 2B MACHINED SURFACES: ✓ U.O.S	Q.A.	EAS	-		
<p>APPLICATION</p>	<p>USED ON</p>	<p>DO NOT SCALE DRAWING</p>					

4. NO DEVIATION FROM THIS DESIGN WILL BE ACCEPTED WITHOUT THE PRIOR WRITTEN CONSENT OF FLAGSHIP MARINE, INC. (NINGUNA DESVIACION SE PERMITERA SIN AUTORIZACION ESCRITA PREVIA DE FLAGSHIP MARINE, INC.)
3. NO SHARP EDGES PERMITTED.
2. PREFERRED LIMITS AND FITS PER ANSI B4.1 (INCHES).
1. DIMENSIONING & TOLERANCING PER ASME Y14.5M.
- NOTES:

PART NUMBER	DESCRIPTION
20058-002	ASSEMBLY, AIR CONDITIONER FMAC48S-V, TOP, 230V
20058-012	ASSEMBLY, AIR CONDITIONER FMAC48S-V, TOP, 230V, WITH OPTIONAL HEAT



**20058-012 SHOWN
SEE SHEET 4 OF 4 FOR DIMENSIONS**

4. NO DEVIATION FROM THIS DESIGN WILL BE ACCEPTED WITHOUT THE PRIOR WRITTEN CONSENT OF FLAGSHIP MARINE, INC. (NINGUNA DESVIACION SE PERMITERA SIN AUTORIZACION ESCRITA PREVIA DE FLAGSHIP MARINE, INC.)

3. NO SHARP EDGES PERMITTED.

2. PREFERRED LIMITS AND FITS PER ANSI B4.1 (INCHES).

1. DIMENSIONING & TOLERANCING PER ASME Y14.5M.

NOTES:

30	80051-001	WELDMENT, DRAIN PAN, AIR CONDITIONER, FMAC60S-V	1	1
29	80050-001	WELDMENT, BASE, AIR CONDITIONER, FMAC60S-V	1	1
28	70253-002	ASSEMBLY, PANEL, ACCESS, AIR CONDITIONER, FMAC48S-V	1	-
27	70253-001	ASSEMBLY, PANEL, ACCESS, AIR CONDITIONER, FMAC48S-V	1	2
26	70169-001	FABRICATION, LID, ENCLOSURE, HEATER COIL, AIR CONDITIONER, FM48S - FM180S	-	1
25	70168-001	FABRICATION, ENCLOSURE, HEATER COIL, AIR CONDITIONER, FM48S - FM180S	-	1
24	70164-001	FABRICATION, PANEL, CLOSE OUT, AIR CONDITIONER, FMAC48S-V/FMAC96S-V	2	2
23	70081-002	FABRICATION, BRACKET, BLOWER, FM48/60/72/96	2	-
22	70081-001	FABRICATION, BRACKET, BLOWER, FM48/60/72/96/120/144/180	-	2
21	70065-001	FABRICATION, BRACKET, CONDENSOR, AIR CONDITIONER, FMAC60S-V	1	1
20	70053-012	ASSEMBLY, PANEL, CORNER, AIR CONDITIONER, FMAC60S-V	2	2
19	70053-011	ASSEMBLY, PANEL, CORNER, AIR CONDITIONER, FMAC60S-V	2	2
18	70051-002	FABRICATION, LID, AIR CONDITIONER, FMAC60S-V	1	-
17	70051-001	FABRICATION, LID, AIR CONDITIONER, FMAC60S-V	-	1
16	60655-001	NUT, 3/8-16 FINISH NUT, 18-8 SS	4	4
15	60637-001	WASHER, 3/8 SPLIT LOCK, 18-8 SS	4	4
14	60534-001	WASHER, 3/8 X 1 1/4 FENDER WASHER, 18-8 SS	4	4
13	60533-001	RIVET, 3/16" DIA. .062-.125" GRIP RANGE, SSB6-2S	47	47
12	60527-001	SELF TAP, #8 X 1/2 HWH SELF DRILL 18-8 SS	40	48
11	60517-001	SCREW, #8-32 X 3/8" PAN HEAD MACHINE SCREW, #2 DRIVE PHILLIPS, 18-8 SS	36	40
10	60261-001	COMPRESSOR, SCROLL SERIES ZR42, 1PH, 60 Hz, 208-230V BY COPELAND	1	1
9	60215-001	EVAPORATOR, 24000 MBTU, 16HX17W, 3 ROW	2	2
8	60131-001	GROMMET, 11/16" PUSH-IN LOCKING, NYLON	2	3
7	60071-001	STANDOFF, .385 ID X 1.406 OD X 1.00 THK, 70 DURO EPDM BLACK	4	4
6	60070-001	WASHER, .385 ID X 1.406 OD X .25 THK, 60 DURO EPDM BLACK	4	4
5	60062-001	THERMAL LIMIT SWITCH, 130 DEGREE	-	2
4	60039-001	HEATER ELEMENT, COIL, 66"L, 8MM, 3000W, 240VAC, DBL END THRD BULKHEAD	-	2
3	60014-001	BLOWER, PSC, FORWARD CURVE, DIRECT DRIVE, WHEEL DIA 13", DAYTON 1XJY4	1	1
2	50007-001	DETAIL, TUBING, AIR CONDITIONER, FM60S-V	2	2
1	20016-001	ASSEMBLY, CONTROL BOX, SELF CONTAINED, A/C, 230-460/1/60, 48K-120K UNIVERSAL	1	1

ITEM NO.	PART NUMBER	DESCRIPTION	20058-002/QTY.	20058-012/QTY.
----------	-------------	-------------	----------------	----------------

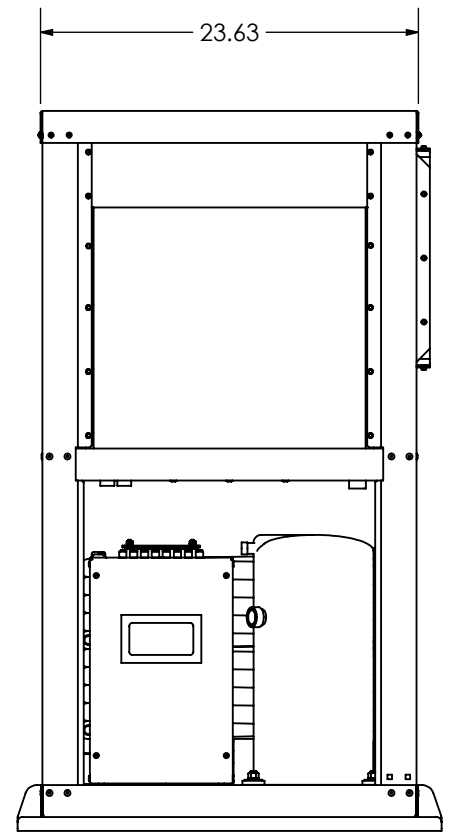
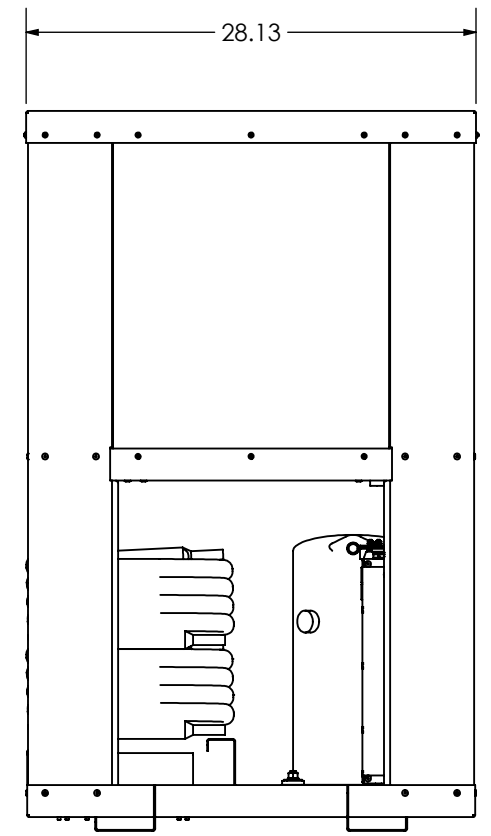
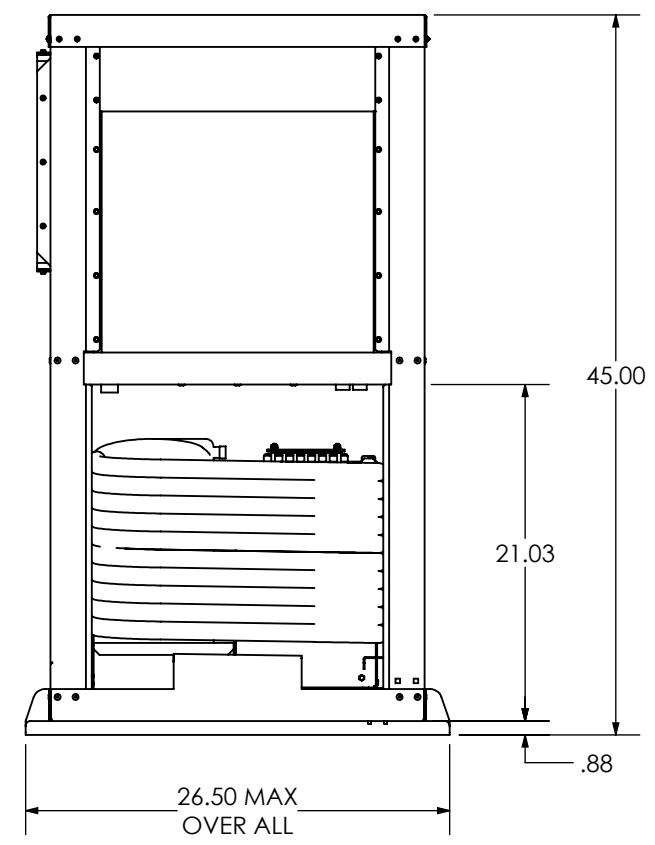
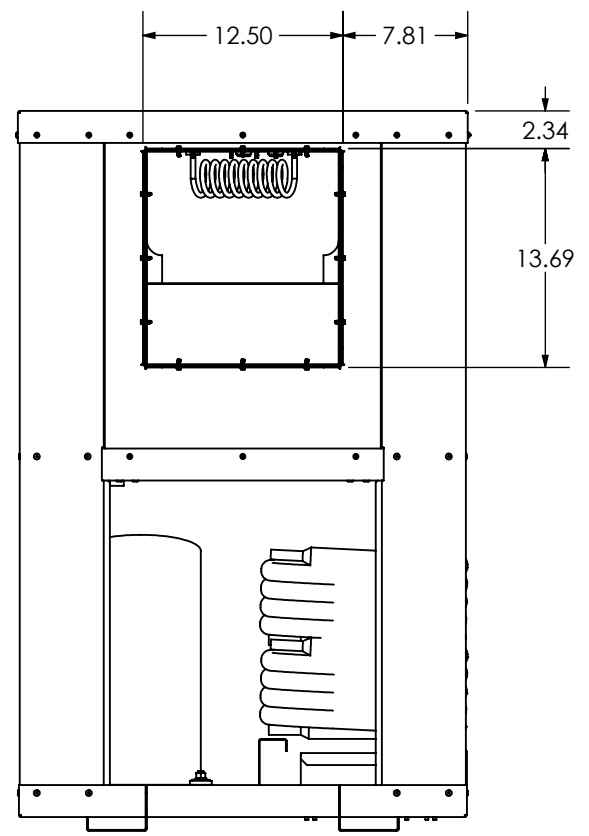
FLAGSHIP MARINE, INC. BILL OF MATERIALS

<p>FLAGSHIP MARINE, INC. 2427 SE DIXIE HIGHWAY STUART FLORIDA 34996 USA (772) 283-1609 (800) 316-6426 FAX (772) 283-4611</p> <p>PROPRIETARY AND CONFIDENTIAL</p> <p>THIS DOCUMENT CONTAINS INFORMATION PROPRIETARY TO FLAGSHIP MARINE, INC. NO PART MAY BE REPRODUCED, USED IN ANY FORM, OR STORED ELECTRONICALLY WITHOUT THE WRITTEN PERMISSION OF FLAGSHIP MARINE, INC.</p>	-	-	UNLESS OTHERWISE SPECIFIED: DIMENSIONS ARE IN INCHES TOLERANCES: FRACTIONS ± 1/32 ANG: MACH ± 0°30' BEND ± 2° DECIMALS .XX ± .01 .XXX ± .005 HOLE Ø .XX ± .005	DRAWN	SWC	8/2/2010	<p>TITLE: ASSEMBLY, AIR CONDITIONER FMAC48S-V, TOP</p> <p>PART NO. 20058-0X2</p> <p>SIZE DWG. NO. REV B FM20058 02</p> <p>OLD PART NO. -</p> <p>SCALE: 1:10 WGT: 460.75 LBS SHEET 2 OF 4</p>
	-	-	INTERPRET GEOMETRIC TOLERANCING PER: ASME Y14.5M	CHECKED	TCM	-	
	-	-	MATERIAL	ENG APPR.	TCM	-	
	-	-	FINISH	MFG APPR.	TCM	-	
-	-	PERP STRAIGHTNESS .003/IN FLATNESS .005/IN THREADS: EXTERNAL - CLASS 2A INTERNAL - CLASS 2B MACHINED SURFACES: ✓ U.O.S	Q.A.	EAS	-		
APPLICATION	USED ON	DO NOT SCALE DRAWING					

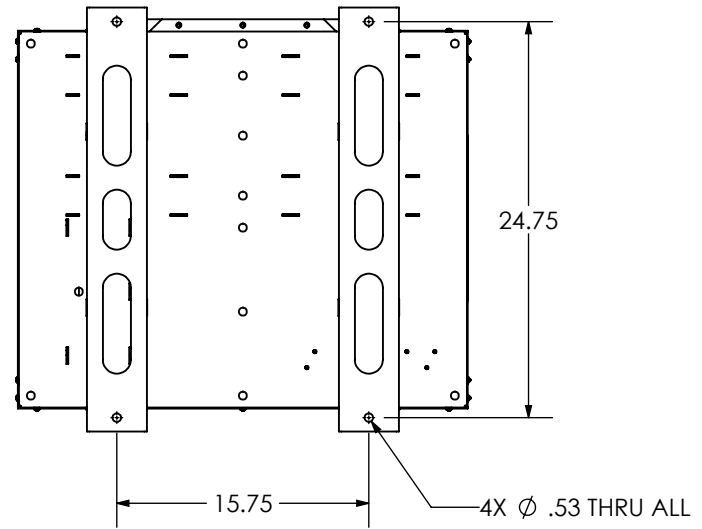
8 7 6 5 4 2 1

D
C
B
A


D
C
B
A

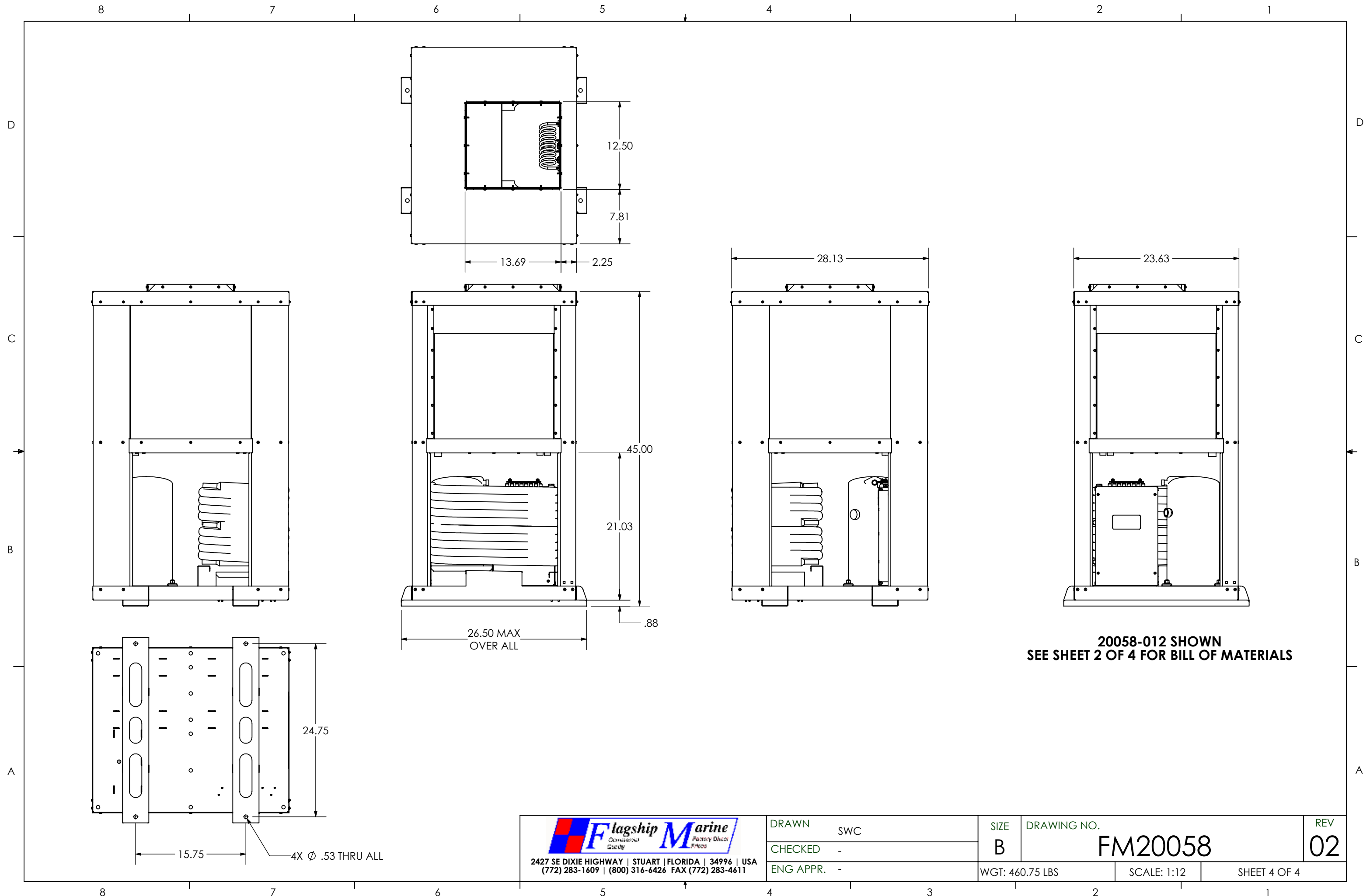


20058-011 SHOWN
SEE SHEET 1 OF 4 FOR BILL OF MATERIALS



8 7 6 5 4 3 2 1

 2427 SE DIXIE HIGHWAY STUART FLORIDA 34996 USA (772) 283-1609 (800) 316-6426 FAX (772) 283-4611	DRAWN SWC	SIZE B	DRAWING NO. FM20058	REV 02
	CHECKED -	WGT: 460.39 LBS	SCALE: 1:12	SHEET 3 OF 4
	ENG APPR. -			



**20058-012 SHOWN
SEE SHEET 2 OF 4 FOR BILL OF MATERIALS**

 2427 SE DIXIE HIGHWAY STUART FLORIDA 34996 USA (772) 283-1609 (800) 316-6426 FAX (772) 283-4611	DRAWN	SWC	SIZE	DRAWING NO.		REV
	CHECKED	-	B	FM20058		02
ENG APPR.	-	WGT: 460.75 LBS	SCALE: 1:12	SHEET 4 OF 4		

4X Ø .53 THRU ALL