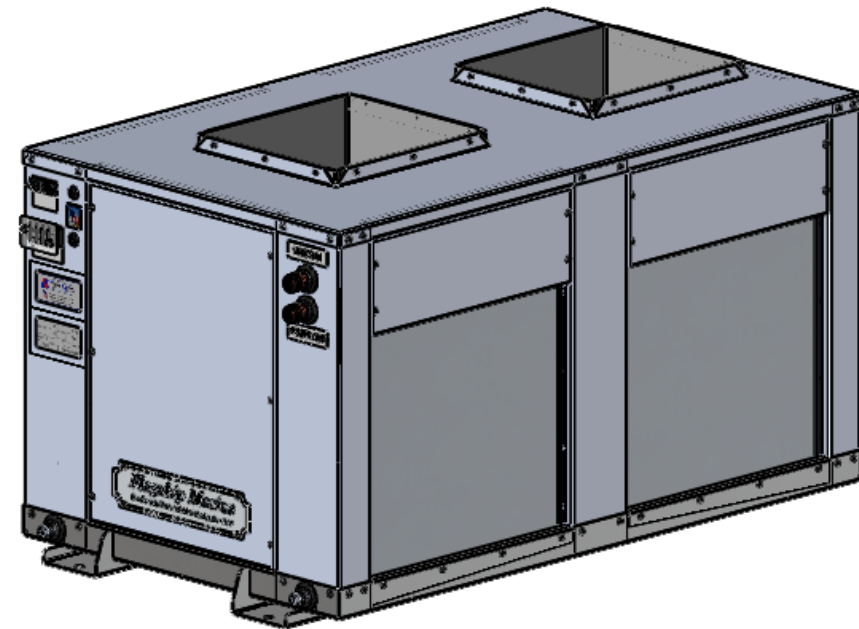
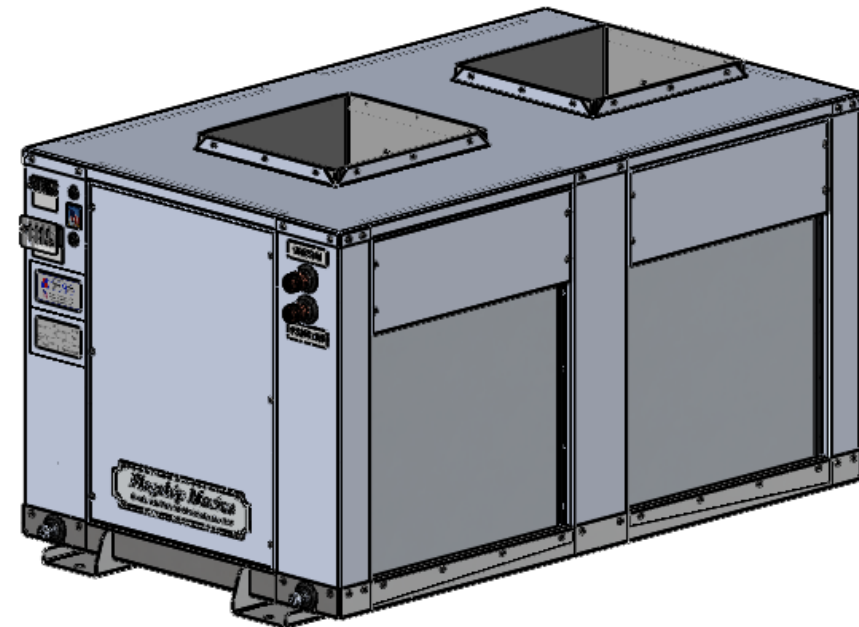


PART NUMBER	DESCRIPTION	FLAGSHIP MARINE, INC.				
		REV.	ZONE	DESCRIPTION	DATE	ENG APPROVAL
20087-001	ASSEMBLY, CHILLED WATER, FAN COIL, FM96CWFC, 230V TOP	02	-	UPDATED WITH INTERNAL PART NUMBERS	2/25/2014	-
20087-011	ASSEMBLY, CHILLED WATER, FAN COIL, FM96CWFC, 230V TOP, WITH OPTIONAL HEAT	03	-	REDESIGNED AND REDIMENSIONED	6/19/2014	-
		A	-	RELEASED FOR MANUFACTURING	7/16/2014	-



20087-001 SHOWN
SEE SHEET 2 OF 3 FOR DIMENSIONS



20087-011 SHOWN
SEE SHEET 3 OF 3 FOR DIMENSIONS

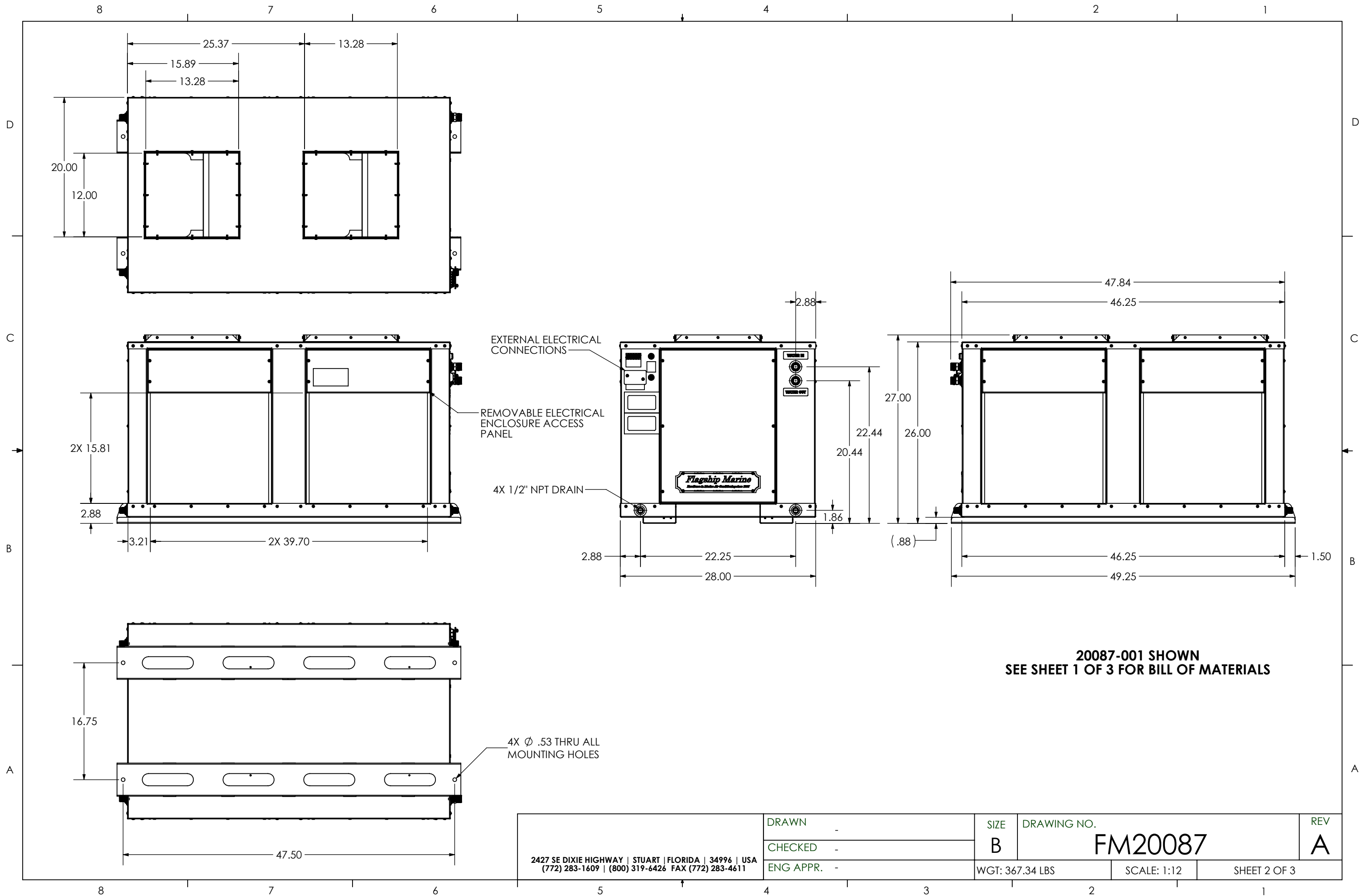
48	80077-002	WELDMENT, DRY DRAIN PAN, CHILLED WATER, FAN COIL, FM48/96CWFC	2	2
47	80077-001	WELDMENT, DRY DRAIN PAN, CHILLED WATER, FAN COIL, FM48/96CWFC	2	2
46	80056-003	WELDMENT, BASE, CHILLED WATER, FAN COIL, FM96CWFC	1	1
45	70269-001	FABRICATION, CONTROL BOX, CHILLED WATER, FAN COIL, UNIVERSAL	1	1
44	70249-001	WELDMENT, PANEL, BIFECTOR, CHILLED WATER, FAN COIL, FM96WFC	2	2
43	70237-002	FABRICATION, SUPPORT RAIL, CHILLED WATER, FAN COIL, FM48/96CWFC	8	6
42	70237-001	FABRICATION, SUPPORT RAIL, CHILLED WATER, FAN COIL, FM48/60/72/96/120/144/180CWFC	2	4
41	70232-004	FABRICATION, PANEL, CHILLED WATER, FAN COIL, FM48/96CWFC	4	4
40	70232-002	FABRICATION, PANEL, CHILLED WATER, FAN COIL, FM48/60/72/96/120/144/180CWFC	1	1
39	70232-001	FABRICATION, PANEL, CHILLED WATER, FAN COIL, FM48/60/72/96/120/144/180CWFC	1	1
38	70171-005	FABRICATION, LID, CHILLED WATER, FAN COIL, FM96CWFC	1	1
37	70170-001	DETAIL, PLATE, DECORATIVE, FLAGSHIP MARINE	1	1
36	70169-001	FABRICATION, LID, ENCLOSURE, HEATER COIL, AIR CONDITIONER, FM48S - FM180S	-	2
35	70168-001	FABRICATION, ENCLOSURE, HEATER COIL, AIR CONDITIONER, FM48S - FM180S	-	2
34	70166-004	FABRICATION, CORNER, PLUMBING INPUT, CHILLED WATER, FAN COIL, FM48/96CWFC	1	1
33	70166-003	FABRICATION, CORNER, ELECTRICAL INPUT, CHILLED WATER, FAN COIL, FM48/96CWFC	1	1
32	70166-002	FABRICATION, CORNER, CHILLED WATER, FAN COIL, FM48/96CWFC	1	1
31	70166-001	FABRICATION, CORNER, CHILLED WATER, FAN COIL, FM48/96CWFC	1	1
30	70081-001	FABRICATION, BRACKET, BLOWER, FM48/60/72/96/120/144/180	4	4
29	672A GP 03	TERMINAL BLOCK, 300 SERIES, KULKA 672A GP SERIES, 600V, 3 POLE	1	1
28	670A GP 04	TERMINAL BLOCK, 100 SERIES, KULKA 670A GP SERIES, 150V, 4 POLE	1	1
27	60815-001	NIPPLE, 1/2 X 4, ALUMINUM	4	4
26	60652-001	SCREW, #8-32 X 1" - #2 DRIVE TRUSS HEAD PHILLIPS, 18-8 SS	28	28
25	60649-001	SCREW, #8-32 X 3/8" - #2 DRIVE TRUSS HEAD PHILLIPS, 18-8 SS	20	20
24	60572-001	#8-32 X 1 1/4" PHMS 18-8 SS	2	2
23	60533-001	RIVET, 3/16" DIA. .062-.125" GRIP RANGE, SSB6-2S	96	96
22	60527-001	#8-18 X 1/2" HWH #3 PT SELF DRILLING SCREW, 410 SS	48	64
21	60526-001	#8-32 MACHINE SCREW NUT SS	4	4
20	60521-001	#8-32 X 1/2" PHMS 18-8 SS	4	4
19	60517-001	#8-32 x 3/8" PHMS 18-8 SS	-	8
18	60510-001	LABEL, CLEAR OVERLAY	2	2
17	60506-001	LABEL, DYMO LABEL WRITER DUO, MISC	1	1
16	60506-001	LABEL, DYMO LABEL WRITER DUO, MISC	1	1
15	60505-001	LABEL, MADE IN USA	1	1
14	60503-001	LABEL, DANGER HAZARDOUS VOLTAGE	1	1
13	60501-001	LABEL, FMI SERIAL NUMBER	1	1
12	60500-001	LABEL, FMI MANUFACTURED BY	1	1
11	60493-001	LABEL, DYMO LABEL WRITER DUO, WATER IN	1	1
10	60492-001	LABEL, DYMO LABEL WRITER DUO, WATER OUT	1	1
9	60215-001	EVAPORATOR, 24000 MBTU, 16HX17W, 3 ROW	4	4
8	60139-001	GROMMET, SNAP-IN SEALING, 1/2" PIPE, FITS .82"-.91" PIPE DIA.	6	6
7	60132-001	GROMMET, ALL-FIT ADJUSTABLE, PUSH IN LOCKING, NYLON	2	2
6	60131-001	GROMMET, 1 1/16" PUSH-IN LOCKING, NYLON	-	2
5	60062-001	THERMAL LIMIT SWITCH, 130 DEGREE	-	4
4	60035-001	HEATER ELEMENT, COIL, 74"L, 8MM, 4000W, 230VAC, DBL END THRD BULKHEAD	-	4
3	60014-001	BLOWER, PSC, FORWARD CURVE, DIRECT DRIVE, WHEEL DIA 13", DAYTON 1XJY4	2	2
2	5520K127	SOLDER-JOINT COPEER TUBE FITTING, REDUCING ADAPTER, 5/8" TUBE, 3/4" NPT	2	2
1	50001-001	DETAIL, COVER, PROTECTIVE, TERMINAL BLOCK, 3 POS	1	1

ITEM NO.	PART NUMBER	DESCRIPTION	20087-001/QTY.	20087-011/QTY.
----------	-------------	-------------	----------------	----------------

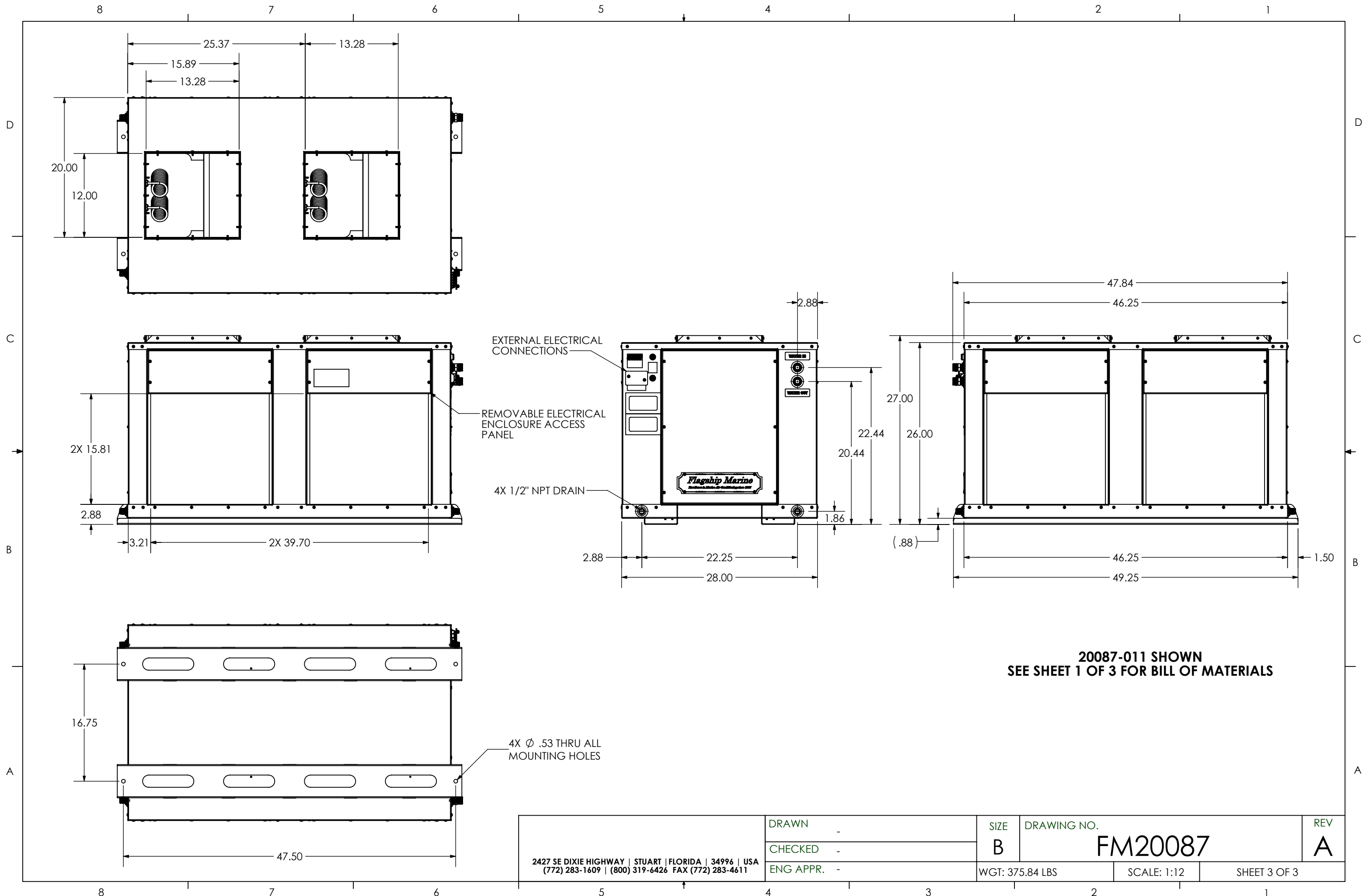
FLAGSHIP MARINE, INC. BILL OF MATERIALS

<p>FLAGSHIP MARINE, INC. 2427 SE DIXIE HIGHWAY STUART FLORIDA 34996 USA (772) 283-1609 (800) 319-6426 FAX (772) 283-4611</p> <p>PROPRIETARY AND CONFIDENTIAL</p> <p>THIS DOCUMENT CONTAINS INFORMATION PROPRIETARY TO FLAGSHIP MARINE, INC. NO PART MAY BE REPRODUCED, USED IN ANY FORM, OR STORED ELECTRONICALLY WITHOUT THE WRITTEN PERMISSION OF FLAGSHIP MARINE, INC.</p>	-	-	UNLESS OTHERWISE SPECIFIED: DIMENSIONS ARE IN INCHES TOLERANCES: FRACTIONS ± 1/32 ANG: MACH ± 0°30' BEND ± 2° DECIMALS .XX ± .01 .XXX ± .005 HOLE Ø .XX ± .005	DRAWN	SWC	5/7/2009	<p>TITLE: ASSEMBLY, CHILLED WATER, FAN COIL, FM96CWFC</p> <p>PART NO. 20087-0XX</p> <p>SIZE DWG. NO. B FM20087 REV A</p> <p>OLD PART NO. -</p> <p>SCALE: 1:12 WGT: 375.87 LBS SHEET 1 OF 3</p>
	-	-	INTERPRET GEOMETRIC TOLERANCING PER: ASME Y14.5M	CHECKED	TCM	-	
	-	-	MATERIAL	ENG APPR.	TCM	-	
	-	-	FINISH	MFG APPR.	TCM	-	
	NEXT ASSY	USED ON	Q.A.	EAS	-		
	APPLICATION	DO NOT SCALE DRAWING	PERP	±	.003/IN		
			STRAIGHTNESS	∓	.005/IN		
			FLATNESS	∓	.005/IN		
			THREADS:				
			EXTERNAL - CLASS 2A				
			INTERNAL - CLASS 2B				
			MACHINED SURFACES: ✓		U.O.S		

- NOTES:
- NO SHARP EDGES PERMITTED.
 - PREFERRED LIMITS AND FITS PER ANSI B4.1 (INCHES).
 - DIMENSIONING & TOLERANCING PER ASME Y14.5M.



2427 SE DIXIE HIGHWAY STUART FLORIDA 34996 USA (772) 283-1609 (800) 319-6426 FAX (772) 283-4611	DRAWN -	SIZE B	DRAWING NO. FM20087	REV A
	CHECKED -			
	ENG APPR. -	WGT: 367.34 LBS	SCALE: 1:12	SHEET 2 OF 3



2427 SE DIXIE HIGHWAY STUART FLORIDA 34996 USA (772) 283-1609 (800) 319-6426 FAX (772) 283-4611	DRAWN -	SIZE B	DRAWING NO. FM20087	REV A
	CHECKED -			
	ENG APPR. -	WGT: 375.84 LBS	SCALE: 1:12	SHEET 3 OF 3