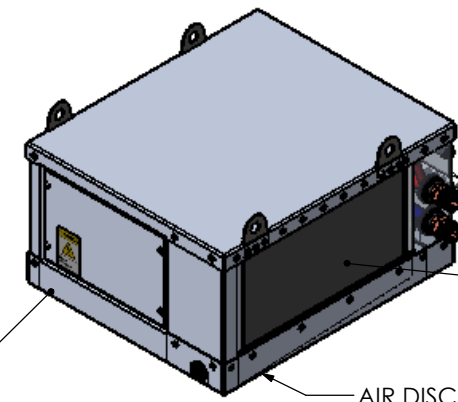


PART NUMBER	DESCRIPTION
20112-001	ASSEMBLY, CHILLED WATER, FAN COIL, FM9CWFC-LP-EN, 120V
20112-011	ASSEMBLY, CHILLED WATER, FAN COIL, FM9CWFC-LP-EN, 120V, WITH OPTIONAL HEAT
20112-101	ASSEMBLY, CHILLED WATER, FAN COIL, FM9CWFC-LP-EN, 230V
20112-111	ASSEMBLY, CHILLED WATER, FAN COIL, FM9CWFC-LP-EN, 230V, WITH OPTIONAL HEAT

FLAGSHIP MARINE, INC.				
REV.	ZONE	DESCRIPTION	DATE	ENG APPROVAL
B	-	REMOVED PEMS AND ADDED NYLON INSERTS	7/15/2015	-
C	-	ADDED LIFT POINTS	7/30/2015	-
E	-	1) REVISED COILS SIZE, CHANGED PAN, TOP, SIDE SUPPORTS, CONDENSATE PAN CONFIGURATIONS	3/24/2017	-



SEE SHEET 2 OF 3 FOR DIMENSIONS

42	71000-001	DETAIL, PLATE, SERIAL NUMBER TAG, FLAGSHIP MARINE	1	1	1	1
41	60223-001	FAN COIL, 100X-4378 6 X 12	1	1	1	1
40	FHTS 0.164-32-T-0.5-S		-	4	-	4
39	80037-001	WELDMENT, DRAIN PAN, CHILLED WATER, FAN COIL, FM9CWFC-LP-EN	1	1	1	1
38	70387-001	FABRICATION, PANEL, CHILLED WATER, FAN COIL, FM9CWFC-LP-EN	2	2	2	2
37	70386-001	ASSEMBLY, COVER, CHILLED WATER, FAN COIL, FM9CWFC-LP-EN	1	1	1	1
36	70385-001	FABRICATION, SUPPORT RAIL, CHILLED WATER, FAN COIL, FM9CWFC-LP-EN	2	2	2	2
35	70384-001	FABRICATION, PANEL, REAR, CHILLED WATER, FAN COIL, FM9CWFC-LP-EN	1	1	1	1
34	70383-002	FABRICATION, CORNER, CHILLED WATER, FAN COIL, FM9CWFC-LP-EN	1	1	1	1
33	70383-001	FABRICATION, CORNER, CHILLED WATER, FAN COIL, FM9CWFC-LP-EN	1	1	1	1
32	70382-001	FABRICATION, BASE, CHILLED WATER, FAN COIL, FM9CWFC-LP-EN	1	1	1	1
31	70086-001	FABRICATION, LID, ENCLOSURE, HEATER COIL, AIR CONDITIONER, FM9R - FM20R	-	1	-	1
30	70085-001	FABRICATION, ENCLOSURE, HEATER COIL, AIR CONDITIONER, FM9R - FM20R	-	1	-	1
29	60129-001	TERMINAL BLOCK, 300 SERIES, KULKA 672A GP SERIES, 600V, 3 POLE	1	1	1	1
28	60134-001	TERMINAL BLOCK, 100 SERIES, KULKA 670A GP SERIES, 150V, 4 POLE	1	1	1	1
27	60652-001	SCREW, #8-32 X 1" - #2 DRIVE TRUSS HEAD PHILLIPS, 18-8 SS	8	8	8	8
26	60649-001	SCREW, #8-32 X 3/8" - #2 DRIVE TRUSS HEAD PHILLIPS, 18-8 SS	12	12	12	12
25	60636-001	WASHER, REGULAR FLAT TYPE B, #10 X .203"ID x .562"OD X .04"THK, 410 SS	6	6	6	6
24	60581-001	#8-32 X 5/8" PHMS 18-8 SS	2	2	2	2
23	60572-001	SCREW, #8-32 X 1 1/4" PAN HEAD MACHINE SCREW, #2 DRIVE PHILLIPS, 18-8 SS	2	2	2	2
22	60533-001	RIVET, 3/16" DIA. .062-.125" GRIP RANGE, SSB6-2S	38	38	38	38

21	60526-001	NUT, #8-32 MACHINE SCREW NUT 18-8 SS	4	4	4	4
20	60521-001	SCREW, #8-32 X 1/2" PAN HEAD MACHINE SCREW, #2 DRIVE PHILLIPS, 18-8 SS	2	2	2	2
19	60517-001	SCREW, #8-32 X 3/8" PAN HEAD MACHINE SCREW, #2 DRIVE PHILLIPS, 18-8 SS	-	4	-	4
18	60510-001	LABEL, CLEAR OVERLAY	1	1	1	1
17	60506-001	LABEL, DYMO LABEL WRITER DUO, MISC	1	1	1	1
16	60506-001	LABEL, DYMO LABEL WRITER DUO, MISC	1	1	1	1
15	60505-001	LABEL, MADE IN USA	1	1	1	1
14	60504-001	LABEL, CAUTION HIGH VOLTAGE	2	2	2	2
13	60500-001	LABEL, FMI MANUFACTURED BY	1	1	1	1
11	60144-001	GROMMET, SNAP-IN SEALING, 5/8" TUBE, FITS 5/8"- .63" TUBE DIA.	2	2	2	2
10	60132-001	GROMMET, ALL-FIT ADJUSTABLE, PUSH IN LOCKING, NYLON	2	2	2	2
9	60131-001	GROMMET, 11/16" PUSH-IN LOCKING, NYLON	-	1	-	1
8	60062-001	THERMAL LIMIT SWITCH, 130 DEGREE	-	1	-	1
7	60031-002	HEATER ELEMENT, COIL, 45"L, 8MM, 1700W, 240VAC, DBL END THRD BULKHEAD	-	-	-	1
6	60031-001	HEATER ELEMENT, COIL, 45"L, 8MM, 1700W, 120VAC, DBL END THRD BULKHEAD	-	1	-	-
5	60017-001	BLOWER, PSC, SHADED POLE, 1TDR9	1	1	-	-
4	5520K127	SOLDER-JOINT COPEER TUBE FITTING, REDUCING ADAPTER, 5/8" TUBE, 3/4" NPT	2	2	2	2
3	50001-001	DETAIL, COVER, PROTECTIVE, TERMINAL BLOCK, 30A, 3 POS	1	1	1	1
2	20017-002	ASSEMBLY, CONTROL BOX, CHILLED WATER, FAN COIL, WITH OPTIONAL HEAT, 9K-36K UNIVERSAL	-	1	-	1
1	20017-001	ASSEMBLY, CONTROL BOX, CHILLED WATER, FAN COIL, 9K-36K UNIVERSAL	1	-	1	-

ITEM NO.	PART NUMBER	DESCRIPTION	20112-001/QTY.	20112-011/QTY.	20112-101/QTY.	20112-111/QTY.
----------	-------------	-------------	----------------	----------------	----------------	----------------

ITEM NO.	PART NUMBER	DESCRIPTION	20112-001/QTY.	20112-011/QTY.	20112-101/QTY.	20112-111/QTY.
----------	-------------	-------------	----------------	----------------	----------------	----------------

**FLAGSHIP MARINE, INC. BILL OF MATERIALS**

**FLAGSHIP MARINE, INC. BILL OF MATERIALS**

2. PREFERRED LIMITS AND FITS PER ANSI B4.1 (INCHES).  
 1. DIMENSIONING & TOLERANCING PER ASME Y14.5M.

NOTES:

**FLAGSHIP MARINE, INC.**  
 2427 SE DIXIE HIGHWAY  
 STUART | FLORIDA | 34996 | USA  
 (772) 283-1609 | (800) 316-6426  
 FAX (772) 283-4611

**PROPRIETARY AND CONFIDENTIAL**

THIS DOCUMENT CONTAINS INFORMATION PROPRIETARY TO FLAGSHIP MARINE, INC. NO PART MAY BE REPRODUCED, USED IN ANY FORM, OR STORED ELECTRONICALLY WITHOUT THE WRITTEN PERMISSION OF FLAGSHIP MARINE, INC.

UNLESS OTHERWISE SPECIFIED:	NAME	DATE	TITLE:
DIMENSIONS ARE IN INCHES	DRAWN	SWC	3/19/2014
TOLERANCES:	CHECKED	TCM	-
FRACTIONS ± 1/32	ENG APPR.	TCM	-
ANG: MACH ± 0°30' BEND ± 2°	MFG APPR.	TCM	-
DECIMALS .XX ± .01	Q.A.	EAS	-
.XXX ± .005			
HOLE Ø .XX ± .005			
INTERPRET GEOMETRIC TOLERANCING PER: ASME Y14.5M			
MATERIAL	PERP	∟	.003/IN
	STRAIGHTNESS	—	.005/IN
	FLATNESS	∇	.005/IN
	THREADS:		
	EXTERNAL - CLASS 2A		
	INTERNAL - CLASS 2B		
	MACHINED SURFACES:	√	U.O.S
FINISH			
NEXT ASSY	USED ON		
APPLICATION	DO NOT SCALE DRAWING		

**ASSEMBLY, CHILLED WATER, FAN COIL, FM9CWFC-LP-EN**

**PART NO. 20112-XX1**

SIZE **B** DWG. NO. **FM20112** REV **E**

IMECO PART NO. TBD

SCALE: 1:8 WGT: 63.54 LBS SHEET 1 OF 2

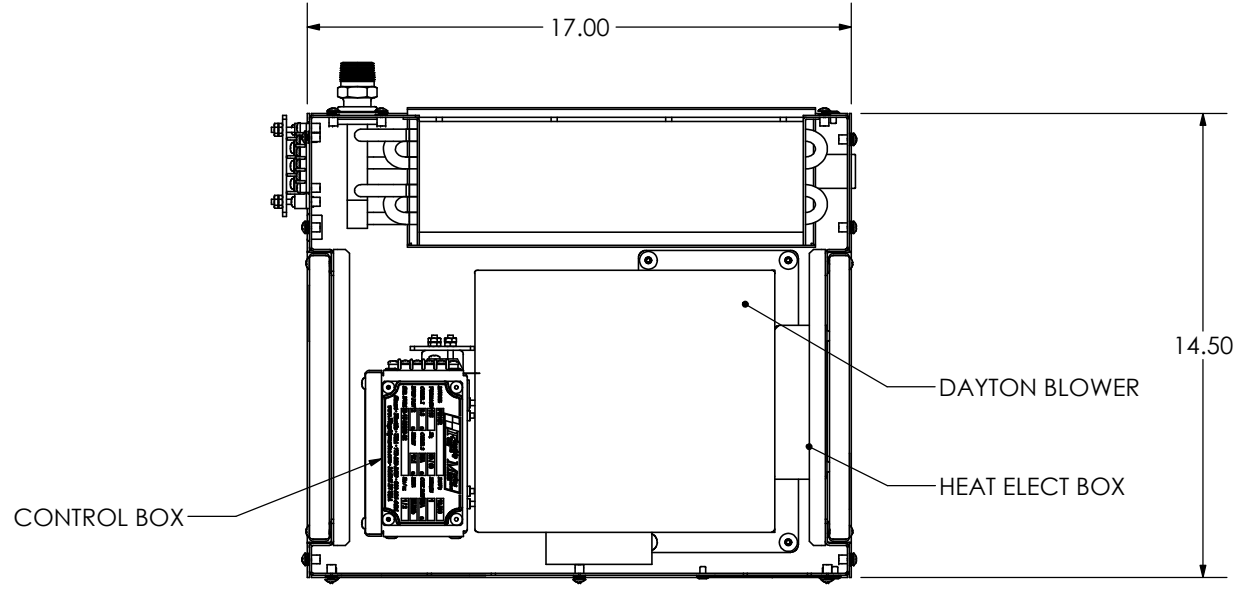
8 7 6 5 4 2 1

D D

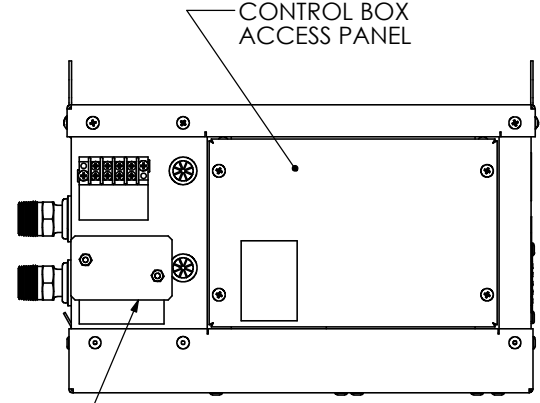
C C

B B

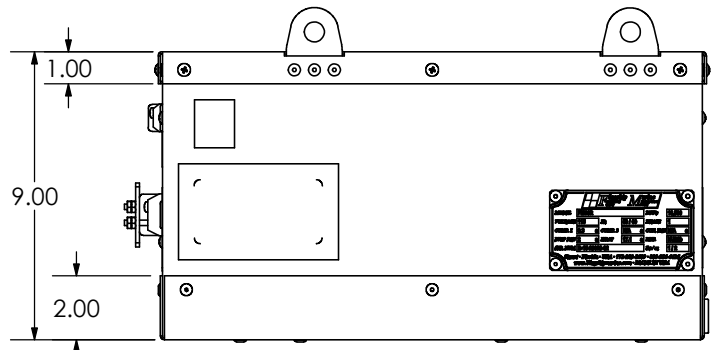
A A



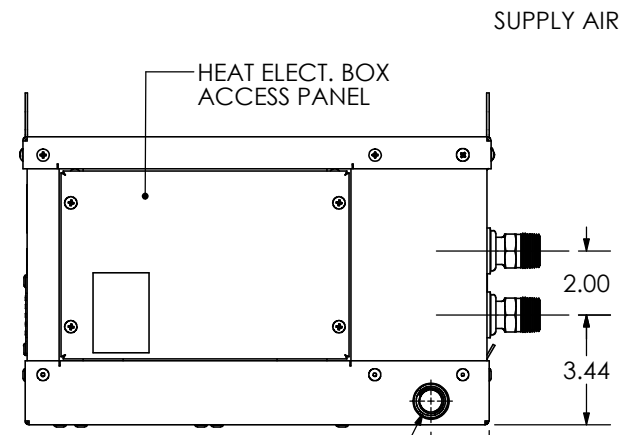
SHOWN WITH COVER REMOVED FOR CLAIRITY  
TOP



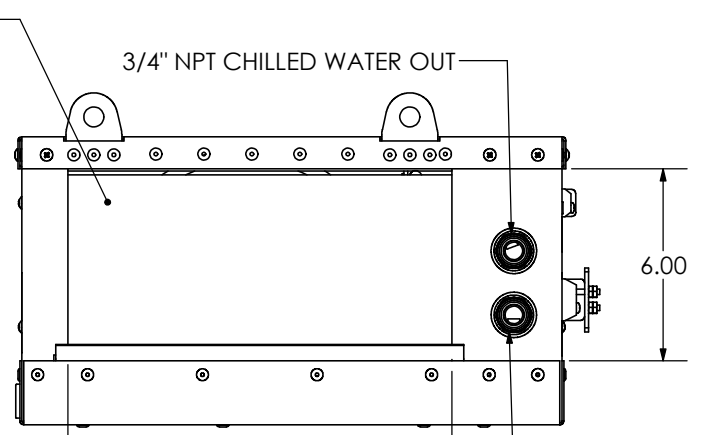
SIDE



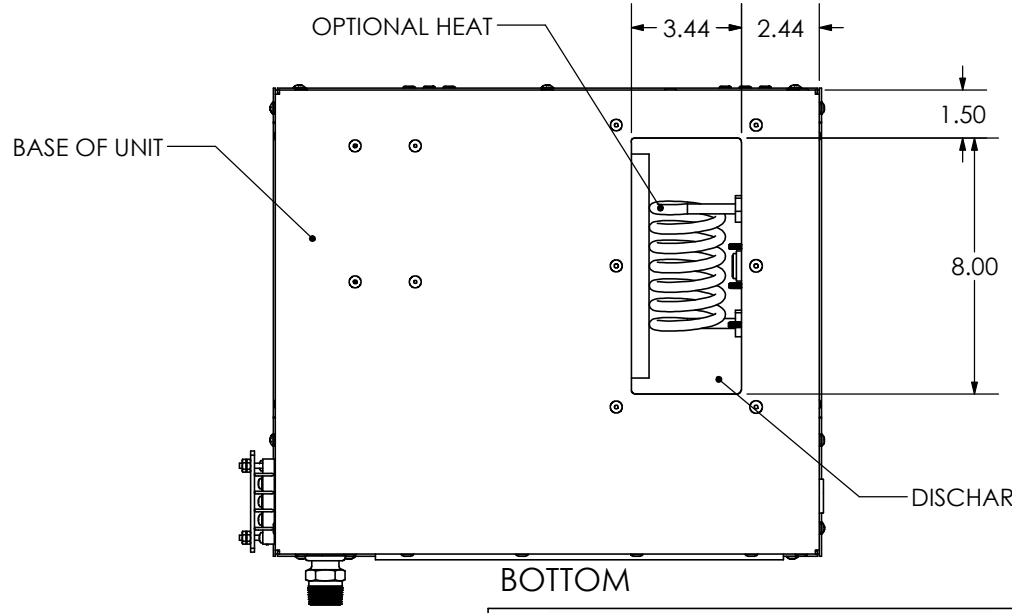
FRONT



SIDE



BACK



BOTTOM

NOTES:  
2. PREFERRED LIMITS AND FITS PER ANSI B4.1 (INCHES).  
1. DIMENSIONING & TOLERANCING PER ASME Y14.5M.

<p>2427 SE DIXIE HIGHWAY   STUART   FLORIDA   34996   USA (772) 283-1609   (800) 316-6426 FAX (772) 283-4611</p>	DRAWN -	SIZE B	DRAWING NO. FM20112	REV E
	CHECKED -	WGT: 63.54 LBS	SCALE: 1:6	SHEET 2 OF 2
	ENG APPR. -			

8 7 6 5 4 3 2 1