

## DIRECT DRIVE PUMPS - STAINLESS STEEL & BRONZE

Our premium stainless steel and bronze pumps come in five models and are a favorite in the industry. These trouble-free pumps can be used in fresh, salt, chlorinated or brominated water and can even be used in hot water up to 110 °F. These versatile pumps can be used submerged or in open air below water level for ponds, water gardens, medium to large fountains, water displays, waterfalls, streams, and for aeration.



S900T



S225T

### FEATURES

- Made in the U.S.
- Quiet operation
- Mounting stand option

### ORDERING INFORMATION

| S-Series  | Item No. | mps | Watts | Cord (ft) | Submerged Use | Inline Use | Discharge MNPT | Intake MNPT | Gallons Per Hour (GPH) @ Height |     |     |     | Shut-off (ft) |
|-----------|----------|-----|-------|-----------|---------------|------------|----------------|-------------|---------------------------------|-----|-----|-----|---------------|
|           |          |     |       |           |               |            |                |             | 1'                              | 5'  | 10' | 15' |               |
| S225T-6   | 517000   | 0.7 | 60    | 6'        | ✓             | ✓          | 1/4"           | 1/2"        | 200                             | 81  | -   | -   | 5.7           |
| S225T-20  | 517001   | 0.7 | 60    | 20'       | ✓             | ✓          | 1/4"           | 1/2"        | 200                             | 81  | -   | -   | 5.7           |
| S320T-6   | 517002   | 1.2 | 89    | 6'        | ✓             | ✓          | 1/4"           | 1/2"        | 290                             | 255 | 163 | -   | 13.5          |
| S320T-20  | 517003   | 1.2 | 89    | 20'       | ✓             | ✓          | 1/4"           | 1/2"        | 290                             | 255 | 163 | -   | 13.5          |
| S320T-50  | 517004   | 1.2 | 89    | 50'       | ✓             | ✓          | 1/4"           | 1/2"        | 290                             | 255 | 163 | -   | 13.5          |
| S580T-6   | 517005   | 2.2 | 203   | 6'        | ✓             | ✓          | 1/2"           | 1/2"        | 755                             | 590 | 320 | -   | 12            |
| S580T-20  | 517006   | 2.2 | 203   | 20'       | ✓             | ✓          | 1/2"           | 3/4"        | 755                             | 590 | 320 | -   | 12            |
| S580T-50  | 517007   | 2.2 | 203   | 50'       | ✓             | ✓          | 1/2"           | 3/4"        | 755                             | 590 | 320 | -   | 12            |
| S900T-6   | 517008   | 2.5 | 234   | 6'        | ✓             | ✓          | 1/2"           | 3/4"        | 810                             | 667 | 425 | -   | 14            |
| S900T-20  | 517009   | 2.5 | 234   | 20'       | ✓             | ✓          | 1/2"           | 3/4"        | 810                             | 667 | 425 | -   | 14            |
| S900T-50  | 517010   | 2.5 | 234   | 50'       | ✓             | ✓          | 1/2"           | 3/4"        | 810                             | 667 | 425 | -   | 14            |
| S1200T-6  | 517011   | 3.4 | 255   | 6'        | ✓             | ✓          | 1/2"           | 3/4"        | 868                             | 745 | 580 | 240 | 18            |
| S1200T-20 | 517012   | 3.4 | 255   | 20'       | ✓             | ✓          | 1/2"           | 3/4"        | 868                             | 745 | 580 | 240 | 18            |
| S1200T-50 | 517013   | 3.4 | 255   | 50'       | ✓             | ✓          | 1/2"           | 3/4"        | 868                             | 745 | 580 | 240 | 18            |

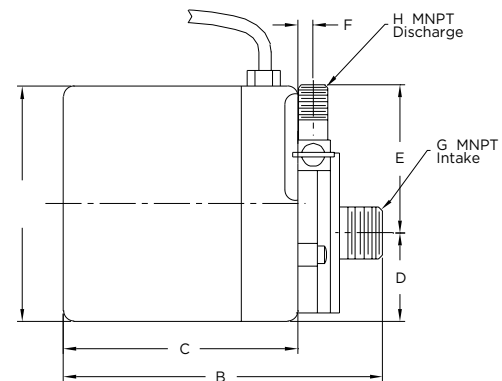
### ACCESSORIES

| Stainless Steel & Bronze Pump Accessories            | Item No. | mount      |
|--|----------|------------|
| SPB1 - Positioning Bracket<br>Fits S580, S900, S1200 | 517500   | 1 per pack |



### DIMENSIONS

| Dimensions (in) | A   | B   | C   | D    | E    | F   | G MNPT | H MNPT |
|-----------------|-----|-----|-----|------|------|-----|--------|--------|
| S225T           | 4.0 | 4.5 | 3.0 | 1.5  | 2    | 0.3 | 1/2"   | 1/4"   |
| S320T           | 4.0 | 4.5 | 3.0 | 1.4  | 2.36 | 0.3 | 1/2"   | 1/4"   |
| S580T           | 4.5 | 6.5 | 4.7 | 2.25 | 2.75 | 0.5 | 3/4"   | 1/2"   |
| S900T           | 4.5 | 6.5 | 4.7 | 2.25 | 2.75 | 0.5 | 3/4"   | 1/2"   |
| S1200T          | 4.5 | 6.5 | 4.7 | 2.25 | 2.75 | 0.5 | 3/4"   | 1/2"   |



### PERFORMANCE

