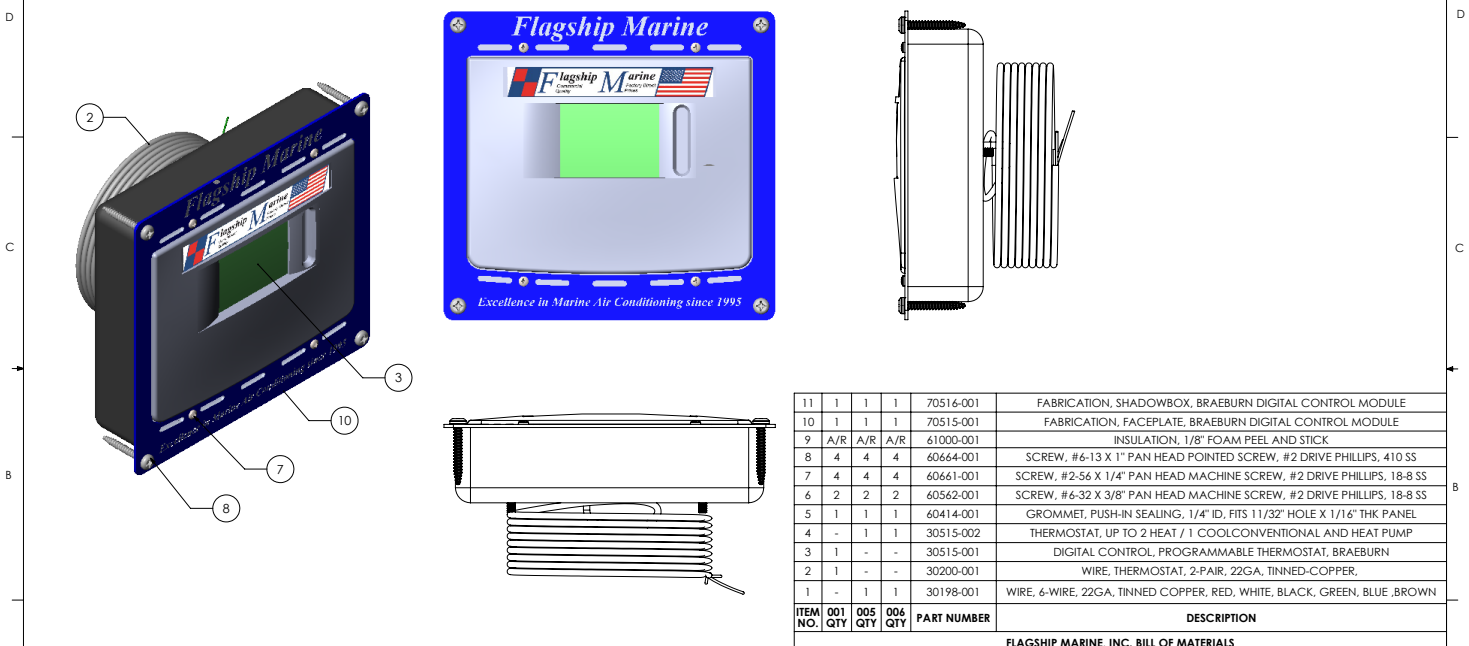


PART NUMBER	DESCRIPTION
20515-001	THERMOSTAT, BLUE MOUNTING PLATE, 20' WIRE
20515-005	THERMOSTAT, BLUE MOUNTING PLATE, REVERSE CYCLE, 20' WIRE
20515-006	THERMOSTAT, BLUE MOUNTING PLATE, DUAL HEAT, 20' WIRE

FLAGSHIP MARINE, INC.				
REV.	JONE	DESCRIPTION	DATE	ENG APPROVAL
04	-	ADDED ITEM 9	6/5/2015	-
03	-	NAME CHANGE, ADDED VIEW FOR WIRING THERMOSTAT	8/25/2015	-
02	-	ADDED .005 & .006 CONFIGURATIONS	12/16/2016	-



ITEM NO.	Q01 QTY	Q05 QTY	Q06 QTY	PART NUMBER	DESCRIPTION
11	1	1	1	70516-001	FABRICATION, SHADOWBOX, BRAEBURN DIGITAL CONTROL MODULE
10	1	1	1	70515-001	FABRICATION, FACEPLATE, BRAEBURN DIGITAL CONTROL MODULE
9	A/R	A/R	A/R	61000-001	INSULATION, 1/8" FOAM PEEL AND STICK
8	4	4	4	60664-001	SCREW, #6-13 X 1" PAN HEAD POINTED SCREW, #2 DRIVE PHILLIPS, 410 SS
7	4	4	4	60664-001	SCREW, #2-56 X 1/4" PAN HEAD MACHINE SCREW, #2 DRIVE PHILLIPS, 18-8 SS
6	2	2	2	60562-001	SCREW, #6-32 X 3/8" PAN HEAD MACHINE SCREW, #2 DRIVE PHILLIPS, 18-8 SS
5	1	1	1	60414-001	GROMMET, PUSH-IN SEALING, 1/4" ID, FITS 1/132" HOLE X 1/16" THK PANEL
4	-	1	1	30515-002	THERMOSTAT, UP TO 2 HEAT / 1 COOL CONVENTIONAL AND HEAT PUMP
3	1	-	-	30515-001	DIGITAL CONTROL, PROGRAMMABLE THERMOSTAT, BRAEBURN
2	1	-	-	30200-001	WIRE, THERMOSTAT, 2-PAIR, 22GA, TINNED-COPPER,
1	-	1	1	30198-001	WIRE, 6-WIRE, 22GA, TINNED COPPER, RED, WHITE, BLACK, GREEN, BLUE, BROWN

Flagship Marine
 FLAGSHIP MARINE, INC.
 2627 SE DIXIE HIGHWAY
 STUART, FLORIDA 34996 | USA
 (772) 283-1497 | (800) 314-4624
 FAX (772) 283-4611

PROPRIETARY AND CONFIDENTIAL
 THIS DOCUMENT CONTAINS INFORMATION PROPRIETARY TO FLAGSHIP MARINE, INC. NO PART MAY BE REPRODUCED, USED IN ANY FORM, OR STORED ELECTRONICALLY WITHOUT THE WRITTEN PERMISSION OF FLAGSHIP MARINE, INC.

UNLESS OTHERWISE SPECIFIED:			NAME	DATE
DIMENSIONS ARE IN INCHES	DRAWN	SWC	1/8/2015	
TOLERANCES:	CHECKED	TCM		
FRACTIONS ± 1/32	ENG APPR.	TCM		
ANG. MATCH ± 0°30' BEND ± 2°	MFG APPR.	TCM		
DECIMALS .XX ± 0.01	Q.A.	EAS		
.XXX ± 0.05				
HOLE Ø .XX ± 0.05				
INTERPRET GEOMETRIC TOLERANCING PER: ASME Y14.5M				
MATERIAL	PERP STRAIGHTNESS	0.003/IN		
	FLATNESS	0.005/IN		
	THREADS:			
	EXTERNAL - CLASS 2A			
	INTERNAL - CLASS 2B			
	MACHINED SURFACES:	U.O.S		
NEXT ASSY	USED ON			
APPLICATION	DO NOT SCALE DRAWING			

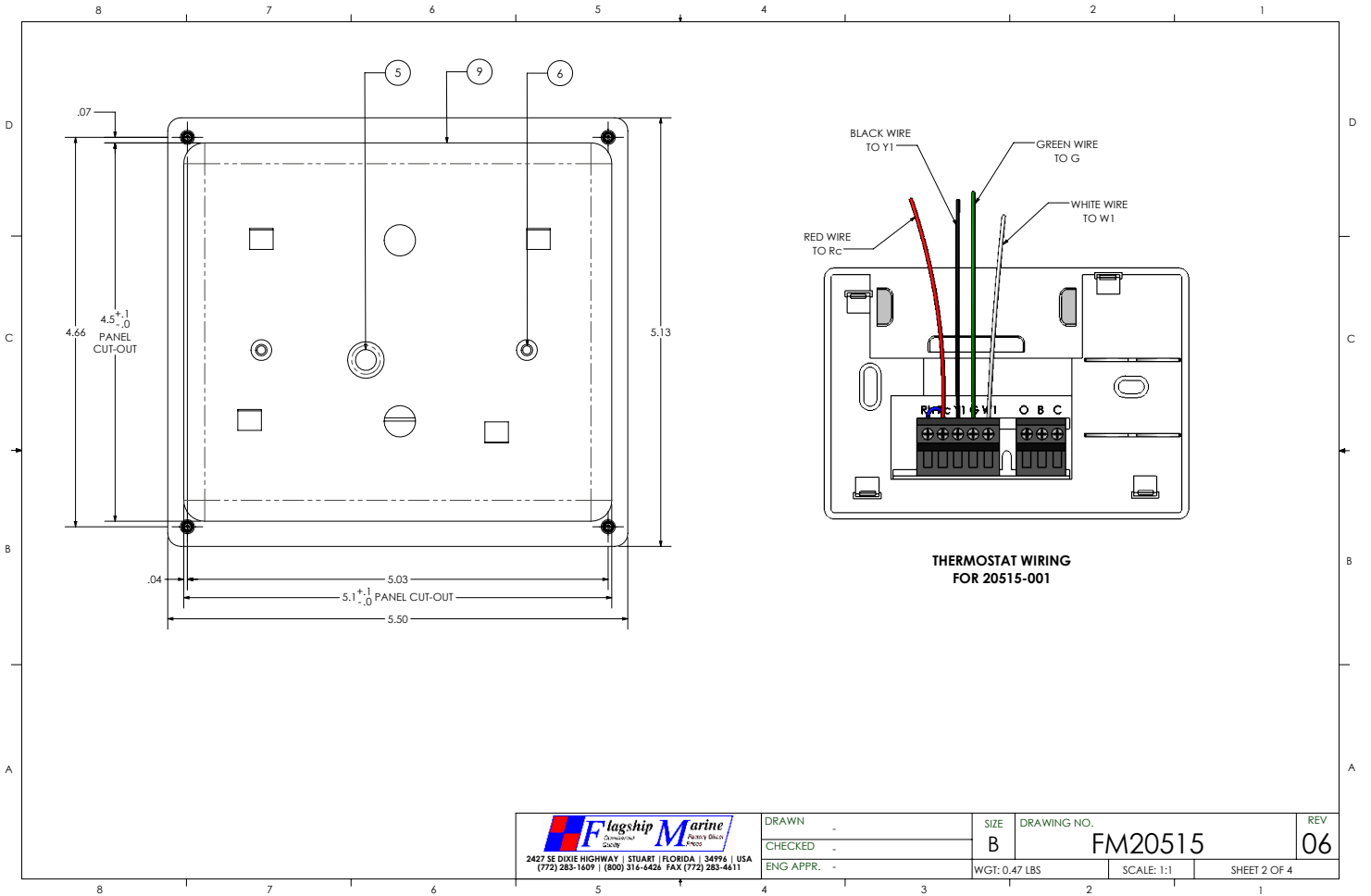
TITLE: ASSEMBLY, THERMOSTAT, SELF-CONTAINED, A/C, 9K-36K UNIVERSAL

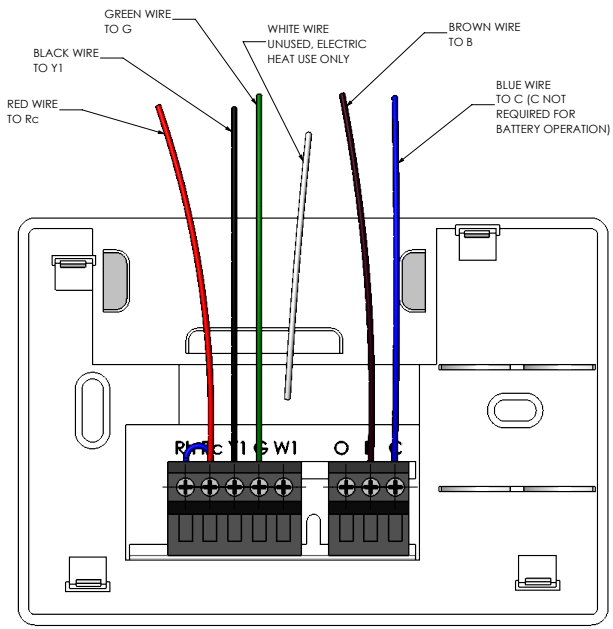
PART NO. 20515-001

SIZE	DWG. NO.	REV
B	FM20515	06
NSN NO.		
SCALE: 1:1	WG1: 0.47 LBS	SHEET 1 OF 4

2. PREFERRED LIMITS AND FITS PER ANSI B4.1 (INCHES).
 1. DIMENSIONING & TOLERANCING PER ASME Y14.5M.

NOTES:

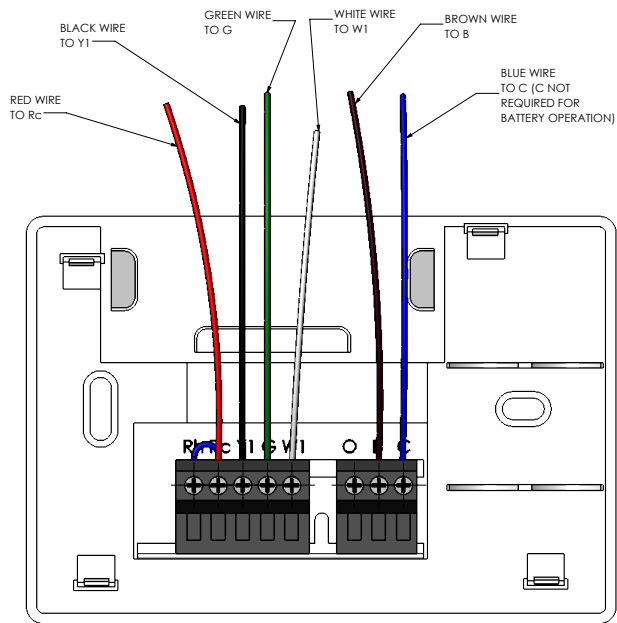




**THERMOSTAT WIRING
FOR 20515-005**
FOR PROPER REVERSE CYCLE OPERATION,
TYPE SWITCH SHOULD BE SET TO "HP".
THIS IS SET AT FACTORY.

Flagship Marine
2427 SE DIXIE HIGHWAY | STUART | FLORIDA | 34996 | USA
(772) 283-1609 | (800) 316-6426 FAX (772) 283-4611

DRAWN -	SIZE B	DRAWING NO. FM20515	REV 06
CHECKED -	WGT: 0.47 LBS	SCALE: 1.5:1	SHEET 3 OF 4
ENG APPR. -			



**THERMOSTAT WIRING
FOR 20515-006
FOR PROPER DUAL HEAT OPERATION,
TYPE SWITCH SHOULD BE SET TO "HP".
THIS IS SET AT FACTORY.**

Flagship Marine
2427 SE DIXIE HIGHWAY | STUART | FLORIDA | 34996 | USA
(772) 283-1609 | (800) 316-6426 FAX (772) 283-4611

DRAWN -	SIZE B	DRAWING NO. FM20515	REV 06
CHECKED -	WGT: 0.47 LBS	SCALE: 1.5:1	SHEET 4 OF 4
ENG APPR. -			