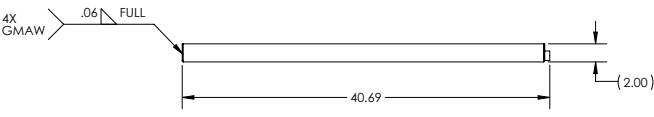
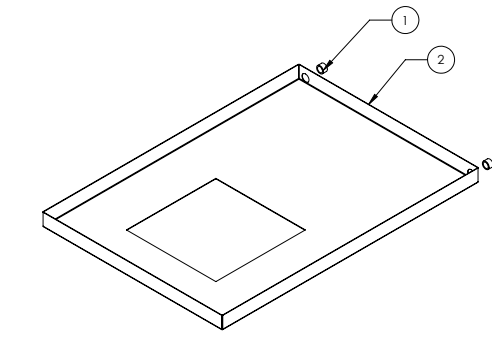
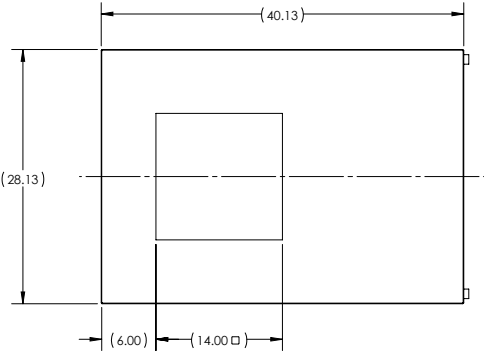
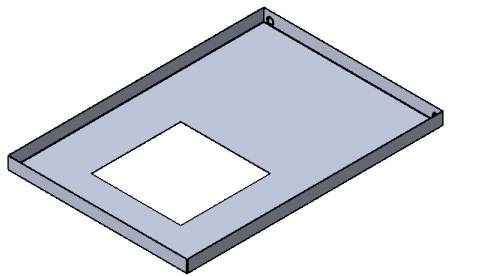


FLAGSHIP MARINE, INC.				
REV.	JONE	DESCRIPTION	DATE	ENG APPROVAL
01	-	INITIAL RELEASE	12/28/2018	-



ITEM NO.	QTY	PART NUMBER	DESCRIPTION
2	1	70380-001	FABRICATION, DRAIN PAN, SEAMACH 13,500, (2) 1/2" DRAINS (REAR)
1	2	60100-001	FITTING, PIPE, 1/2 NPT, ALUMINUM, 1.03 OD X .63 L

**FLAGSHIP MARINE, INC.**  
 2627 SE OXIDE HIGHWAY  
 STUART (FLORIDA) 34996 | USA  
 (772) 283-1497 | (800) 314-4424  
 FAX (772) 283-4611

FLAGSHIP MARINE, INC. BILL OF MATERIALS			
UNLESS OTHERWISE SPECIFIED:	NAME	DATE	TITLE:
DIMENSIONS ARE IN INCHES	TJW	2/28/2018	WELDMENT, DRAIN PAN, SEAMACH 13,500, (2) 1/2" DRAINS (REAR)
TOLERANCES:			
FRACTIONS ± 1/32			
ANG. MACH ± 0°30' BEND ± 2°	CHECKED	TCM	
DECIMALS .XX ± .01	ENG APPR.	TCM	
.XXX ± .005	MFG APPR.	TCM	
HOLE Ø .XX ± .005	Q.A.	EAS	
INTERPRET GEOMETRIC TOLERANCING PER: ASME Y14.5M			
MATERIAL: N/A	PERP STRAIGHTNESS	± .003/IN	
	FLATNESS	± .005/IN	
	THREADS:	± .005/IN	
	EXTERNAL - CLASS 2A		
	INTERNAL - CLASS 2B		
	MACHINED SURFACES:	√ U.O.S	

PART NO. 80313-001	
SIZE DWG. NO. <b>B</b> FM80313	REV <b>01</b>
NSN NO. FM80313	
SCALE: 1:10	WGT: 7.48 LBS SHEET 1 OF 1

- NOTES:
1. DIMENSIONING & TOLERANCING PER ASME Y14.5M.
  2. PREFERRED LIMITS AND FITS PER ANSI B4.1 (INCHES).
  3. REMOVE ALL BURRS & BREAK SHARP EDGES .005" MAX.
  4. WELD SYMBOLS PER ANSI/AWS A2.4-98 AND AWS A3.0-2001.

THIS DOCUMENT CONTAINS INFORMATION PROPRIETARY TO FLAGSHIP MARINE, INC. NO PART MAY BE REPRODUCED, USED IN ANY FORM, OR STORED ELECTRONICALLY WITHOUT THE WRITTEN PERMISSION OF FLAGSHIP MARINE, INC.

